



Chipsmall Limited consists of a professional team with an average of over 10 year of expertise in the distribution of electronic components. Based in Hongkong, we have already established firm and mutual-benefit business relationships with customers from,Europe,America and south Asia,supplying obsolete and hard-to-find components to meet their specific needs.

With the principle of “Quality Parts,Customers Priority,Honest Operation,and Considerate Service”,our business mainly focus on the distribution of electronic components. Line cards we deal with include Microchip,ALPS,ROHM,Xilinx,Pulse,ON,Everlight and Freescale. Main products comprise IC,Modules,Potentiometer,IC Socket,Relay,Connector.Our parts cover such applications as commercial,industrial, and automotives areas.

We are looking forward to setting up business relationship with you and hope to provide you with the best service and solution. Let us make a better world for our industry!



## Contact us

Tel: +86-755-8981 8866 Fax: +86-755-8427 6832

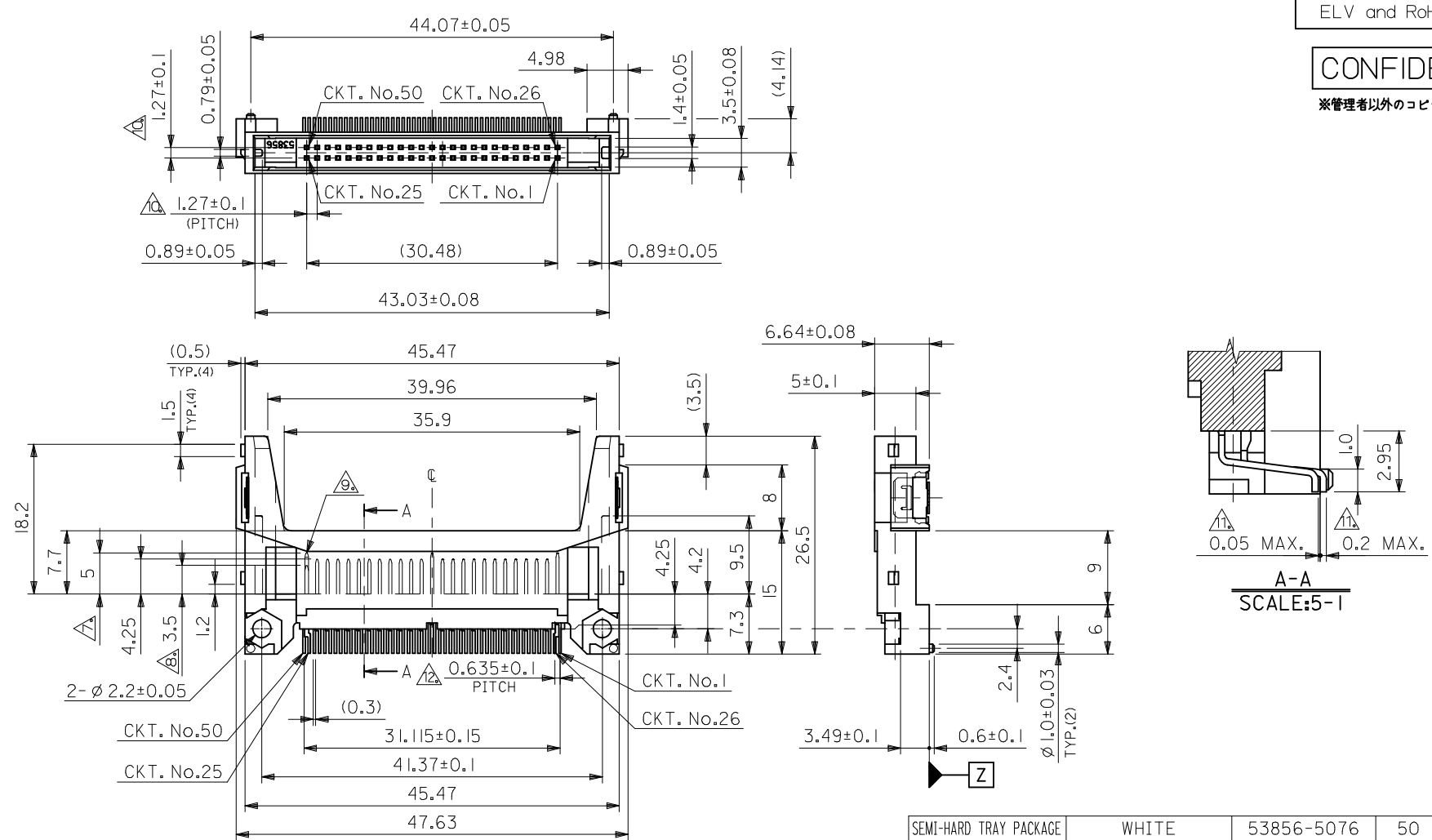
Email & Skype: info@chipsmall.com Web: www.chipsmall.com

Address: A1208, Overseas Decoration Building, #122 Zhenhua RD., Futian, Shenzhen, China



ELV and RoHS Compliant

**CONFIDENTIAL**  
 ※管理者以外のコピー及び配布を禁ずる



SEMI-HARD TRAY PACKAGE	WHITE	53856-5076	50	53856-507*
SOFT TRAY PACKAGE	<del>BLACK</del>	<del>53856-5071</del>	<del>50</del>	
	WHITE	53856-5070	50	
PACKING TRAY FORM	HOUSING COLOR	MATERIAL No.	No. OF CKT.	MODEL No.

REVISED EC NO: J2015-1214 DRW:RWATANABE01 2015/03/11 CHK:D-AMI/ZUMURA 2015/03/17 APPR:MYAGI 2015/03/23	GENERAL TOLERANCES (UNLESS SPECIFIED)			DIMENSION STYLE		SCALE	DESIGN UNITS	THIRD ANGLE PROJECTION  <b>CF CARD CONN. HEADER ASS'Y -LEAD FREE-</b>  <b>molex</b> DOCUMENT NO. SD-53856-007 SHEET NO. 1 OF 2
	0.25 UNDER	UNDER	±0.03	MM ONLY		---	METRIC	
	0.25 OVER	0.5 UNDER	±0.05	DRAWN BY	DATE	TITLE		
	0.5 OVER	1.0 UNDER	±0.1	M. NABEI	'04/03/16			
1.0 OVER	10 UNDER	±0.2	CHECKED BY	DATE				
30 OVER	30 UNDER	±0.25	K. TOJO	'04/03/16				
ANGULAR	±3 °		APPROVED BY	DATE				
			M. SASAO	'04/03/16				
			MATERIAL NO.					
			SEE CHART					
DRAFT WHERE APPLICABLE MUST REMAIN WITHIN DIMENSIONS			SIZE	THIS DRAWING CONTAINS INFORMATION THAT IS PROPRIETARY TO MOLEX INCORPORATED AND SHOULD NOT BE USED WITHOUT WRITTEN PERMISSION				
A			A3					

**CONFIDENTIAL**

※管理者以外のコピー及び配布を禁ずる

注) NOTES

- 材質  
MATERIAL  
ハウジング: ガラス入りLCP UL94V-0  
HOUSING: LCP G.F. UL94V-0  
ピン: リン青銅  
PIN: PHOSPHOR BRONZE  
ネール: リン青銅  
NAIL: PHOSPHOR BRONZE
- メッキ仕様  
PLATING  
PIN 接点部: ニッケル下地、パラジウムニッケル、金メッキ  
CONTACT AREA: PALLADIUM-NICKEL, GOLD OVER NICKEL  
半田付け部: 錫メッキ  
SOLDER TAIL AREA: TIN  
下地メッキ: ニッケルメッキ  
UNDERPLATING: NICKEL OVER ALL  
NAIL 錫メッキ  
TIN  
下地メッキ: ニッケルメッキ  
UNDERPLATING: NICKEL OVER ALL

- 推奨基板厚:  $t \geq 0.8$  MIN.  
RECOMMENDED P.C.B. THICKNESS:  $t \geq 0.8$  MIN.
- 適合カード厚  
RECOMMENDED CARD THICKNESS  
接続部:  $3.3 \pm 0.1$   
CONNECTING AREA:  $3.3 \pm 0.1$
- 適合カード幅:  $42.8 \pm 0.1$   
RECOMMENDED CARD WIDTH:  $42.8 \pm 0.1$
- ハウジング色:  
HOUSING COLOR:  
53856-5010: 白 (WHITE)  
53856-5010: 黒 (BLACK)

△寸 1,13,38,50  
THIS DIMENSION APPLIES TO CIRCUIT NUMBERS  
1,13,38 AND 50.

△8 25,26  
THIS DIMENSION APPLIES TO CIRCUIT NUMBERS 25 AND 26.

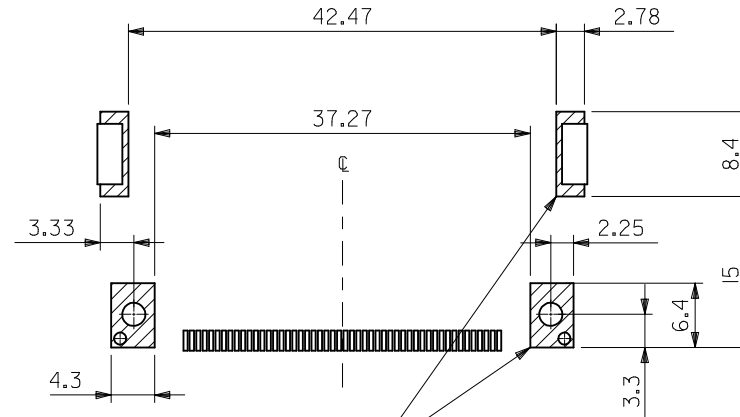
△9 ピンの倒れは、ピン根元を基準に全方向へ  $0.1$  MAX.とする。  
PIN TIP LEAN TOWARD ANY DIRECTION NOT TO EXCEED  $0.1$   
WHEN MEASURED FROM PIN BASE.

△10 ピン根元に適用する。  
THIS DIMENSION TO BE MEASURED AT PIN BASE.

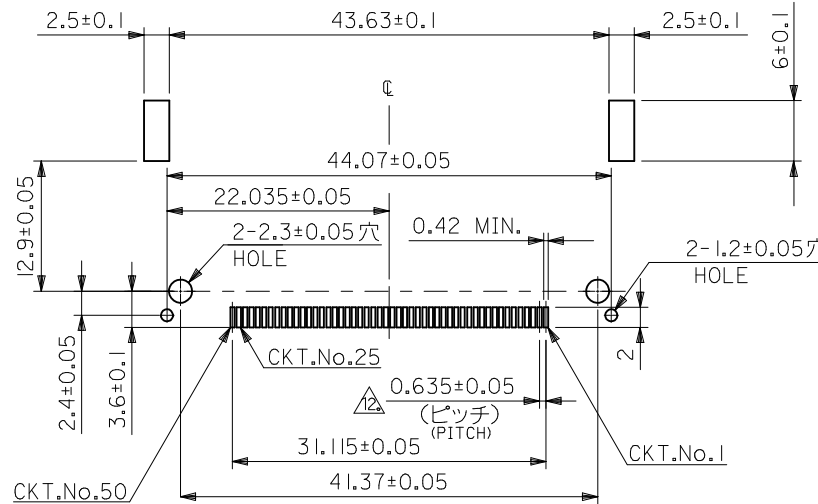
△11 ソルダータールは、Z面を基準とし上へ  $0.05$  下へ  $0.2$  の範囲にあり、  
且つソルダータールの平坦度は、 $0.15$  MAX.とし、テール先端にて測定する。  
SOLDERTAILS TO BE WITHIN  $0.05$  UPWARD AND  $0.2$  DOWNWARD FROM Z-DATUM PLACE, AND COPLANARITY  
OF SOLDERTAILS TO BE WITHIN  $0.15$ .  
MEASUREMENT POINT IS SOLDERTAILS TIP.

△12 公差非累積  
NON-CUMULATIVE

13. 本製品は 53856-501\* の鉛フリー品である。  
THIS PRODUCT IS LEAD FREE OF 53856-501\*.



部品実装不可エリア  
NO PARTS TO BE LOCATED IN THIS AREA.



基板推奨寸法

RECOMMENDED P.C.B. LAYOUT

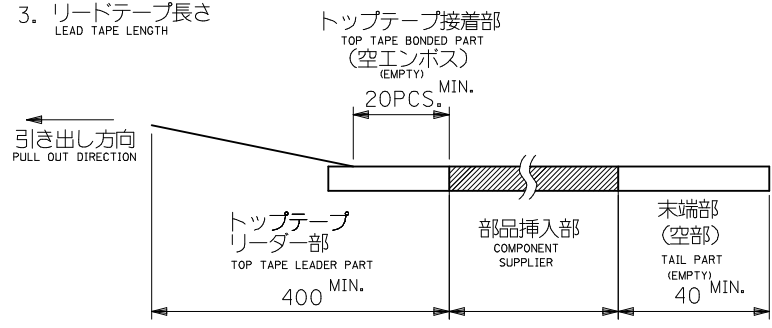
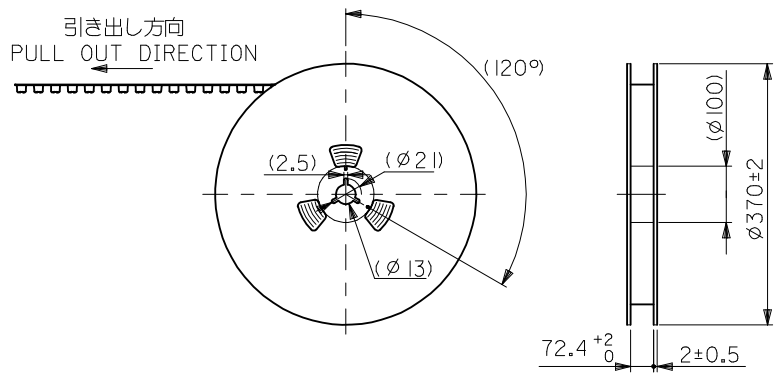
GENERAL TOLERANCES (UNLESS SPECIFIED)			DIMENSION STYLE MM ONLY		SCALE ---	DESIGN UNITS METRIC	THIRD ANGLE PROJECTION	
0.25 UNDER	UNDER	±0.03	DRAWN BY	DATE	TITLE			
0.25 OVER	0.5 UNDER	±0.05	M. NABEI	'04/03/16	CF CARD CONN. HEADER ASS'Y -LEAD FREE-			
0.5 OVER	1.0 UNDER	±0.1	CHECKED BY	DATE				
1.0 OVER	10 UNDER	±0.2	K. TOJO	'04/03/16	<b>molex</b>			
10 OVER	30 UNDER	±0.25	APPROVED BY	DATE				
30 OVER		±0.3	M. SASAO	'04/03/16	DOCUMENT NO.		SHEET NO.	
ANGULAR	±3 °		MATERIAL NO.		SEE SHEET1		SD-53856-007	
DRAFT WHERE APPLICABLE MUST REMAIN WITHIN DIMENSIONS			SIZE A3	THIS DRAWING CONTAINS INFORMATION THAT IS PROPRIETARY TO MOLEX INCORPORATED AND SHOULD NOT BE USED WITHOUT WRITTEN PERMISSION				

**CONFIDENTIAL**

※管理者以外のコピー及び配布を禁ずる

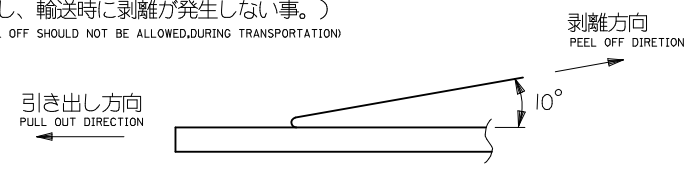
注)  
NOTES

- 製品番号 53856-5070/53856-5071 の詳細寸法については、SD-53856-007 を参照下さい。  
IN THE PACKAGE , PART NO. 53856-5070/53856-5071 DETAILED DIMENSIONS , SEE SD-53856-007
- 梱包数量 : 280個/リール  
NUMBER OF CONNECTORS : 280 PCS/REEL
- リードテープ長さ  
LEAD TAPE LENGTH



- トップテープの剥離強度 : (剥離方向は下図参照)  
PEELING OFF FORCE OF TOP TAPE (PEELING DIRECTION AS SHOWN IN FOLLOWING FIG.)  
0.1~1.3N {10~130gf} : キャリアテープ幅72mm  
CARRIER TAPE WIDTH 72mm

尚、本規格値は、出荷時に適用。  
THIS REQUIREMENT SHOULD BE APPLIED AT SHIPMENT  
(但し、輸送時に剥離が発生しない事。)  
(PEEL OFF SHOULD NOT BE ALLOWED, DURING TRANSPORTATION)



- 材料  
MATERIAL  
キャリアテープ : ポリプロピレン (PP)  
CARRIER TAPE : POLYPROPYLENE (PP)  
トップテープ : PET, PE, PEF  
TOP TAPE : PET, PE, PEF  
リール : 紙  
REEL : CARD BOARD
- 本製品は 53856-501\* の鉛フリー品である。  
THIS PRODUCT IS LEAD FREE OF 53856-501\*

BLACK	53856-5071	53856-5079
WHITE	53856-5070	53856-5078
HOUSING COLOR	PART No.	MATERIAL No.
	53856-507*	MODEL No.

REVISED EC NO: J2015-1214 DRW: RWATANABE01 2015/03/11 CHKD: AMIZUMURA 2015/03/18 APPR: MYAGI 2015/03/23	GENERAL TOLERANCES (UNLESS SPECIFIED)			DIMENSION STYLE MM ONLY		SCALE ---	DESIGN UNITS METRIC	THIRD ANGLE PROJECTION
	0.25 UNDER	UNDER	±0.03	DRAWN BY M. NABE I	DATE '04/03/16	TITLE 53856-5070/5071 TAPING PACKAGE -LEAD FREE-		
	0.25 OVER	0.5 UNDER	±0.05	CHECKED BY K. TOJO	DATE '04/03/16	molex		
	0.5 OVER	1.0 UNDER	±0.1	APPROVED BY M. SASAO	DATE '04/03/16			
1.0 OVER	10 UNDER	±0.2	MATERIAL NO.		DOCUMENT NO.	SHEET NO.		
10 OVER	30 UNDER	±0.25	SEE CHART		SD-53856-008	1 OF 2		
30 OVER		±0.3	THIS DRAWING CONTAINS INFORMATION THAT IS PROPRIETARY TO MOLEX INCORPORATED AND SHOULD NOT BE USED WITHOUT WRITTEN PERMISSION					
ANGULAR	±3 °							
DRAFT WHERE APPLICABLE MUST REMAIN WITHIN DIMENSIONS								

**CONFIDENTIAL**

※管理者以外のコピー及び配布を禁ずる

10 9 8 7 6 5 4 3 2 1

F

E

D

C

B

A

F

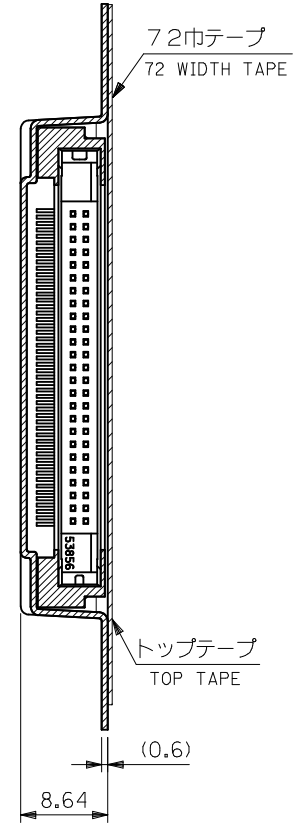
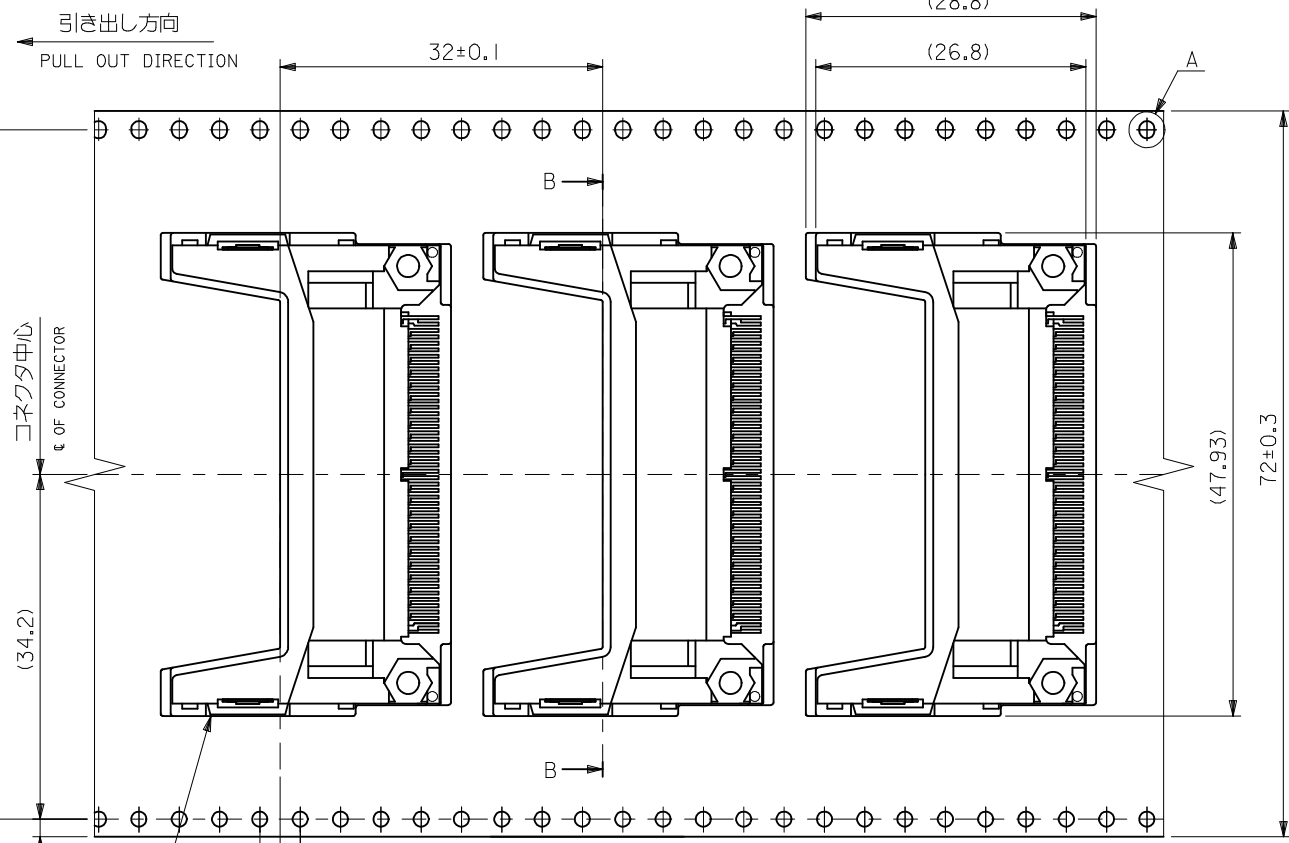
E

D

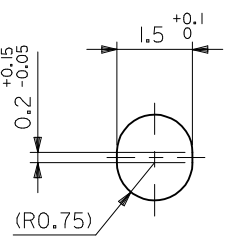
C

B

A



断面 B - B  
SECTION B-B



A部詳細  
SCALE: 10-1

53856-507\*  
累積ピッチ : 40±0.2  
ACCUMULATIVE  
PITCH : 40±0.2

REVISED EC NO: J2015-1214 DRW:RWATANABE01 2015/03/11 CHK:D:MIYAZUMURA 2015/03/18 APPR:MYAGI 2015/03/23	GENERAL TOLERANCES (UNLESS SPECIFIED)		DIMENSION STYLE MM ONLY		SCALE ---	DESIGN UNITS METRIC	THIRD ANGLE PROJECTION	
	0.25 UNDER	UNDER	±0.03	DRAWN BY M. NABEI	DATE '04/03/16	TITLE 53856-5070/5071 TAPING PACKAGE -LEAD FREE-		
	0.25 OVER	0.5 UNDER	±0.05	CHECKED BY K. TOJO	DATE '04/03/16	<b>molex</b> DOCUMENT NO. SD-53856-008 SHEET NO. 2 OF 2		
	0.5 OVER	1.0 UNDER	±0.1	APPROVED BY M. SASAO	DATE '04/03/16			
1.0 OVER	30 UNDER	±0.2	MATERIAL NO.		SEE SHEET 1			
30 OVER		±0.3	DRAFT WHERE APPLICABLE MUST REMAIN WITHIN DIMENSIONS		THIS DRAWING CONTAINS INFORMATION THAT IS PROPRIETARY TO MOLEX INCORPORATED AND SHOULD NOT BE USED WITHOUT WRITTEN PERMISSION			
A	REV	DESCRIPTION	SIZE A3					

9 8 7 6 5 4 3 2 1