



Chipsmall Limited consists of a professional team with an average of over 10 year of expertise in the distribution of electronic components. Based in Hongkong, we have already established firm and mutual-benefit business relationships with customers from,Europe,America and south Asia,supplying obsolete and hard-to-find components to meet their specific needs.

With the principle of "Quality Parts,Customers Priority,Honest Operation,and Considerate Service",our business mainly focus on the distribution of electronic components. Line cards we deal with include Microchip,ALPS,ROHM,Xilinx,Pulse,ON,Everlight and Freescale. Main products comprise IC,Modules,Potentiometer,IC Socket,Relay,Connector.Our parts cover such applications as commercial,industrial, and automotives areas.

We are looking forward to setting up business relationship with you and hope to provide you with the best service and solution. Let us make a better world for our industry!



## Contact us

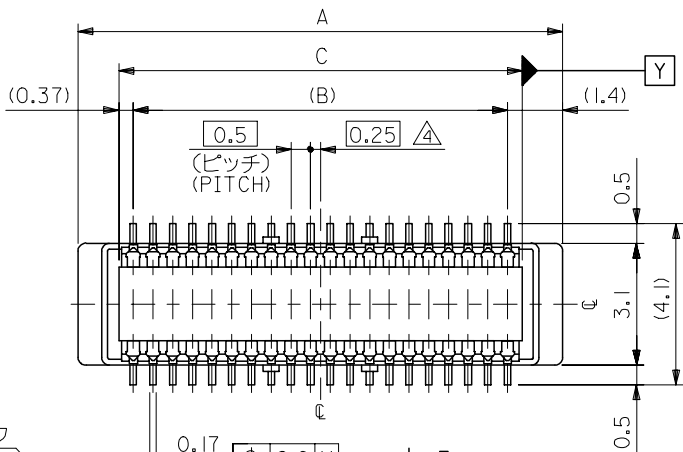
Tel: +86-755-8981 8866 Fax: +86-755-8427 6832

Email & Skype: info@chipsmall.com Web: www.chipsmall.com

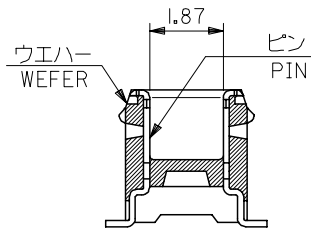
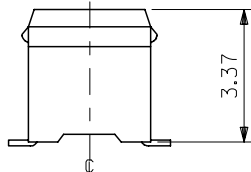
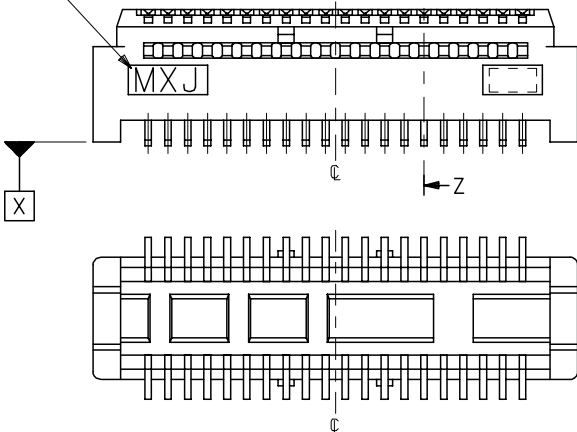
Address: A1208, Overseas Decoration Building, #122 Zhenhua RD., Futian, Shenzhen, China



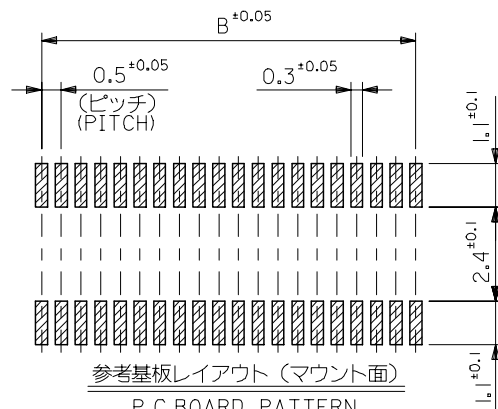
10 9 8 7 6 5 4 3 2 1



トレードマーク  
TRADE MARK

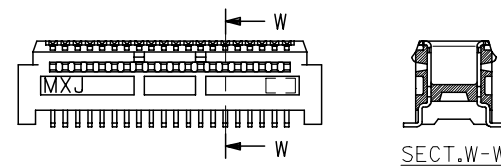


SECT.Z-Z



参考基板レイアウト (マウント面)

P.C. BOARD PATTERN  
DIMENSION (REF.)  
(MOUNTING AREA)



SECT.W-W

60極品以上形状図  
SHAPE OF OVER 60CKT.

注記 NOTES:

1. 使用材料 MATERIAL  
 ウエハー: LCPガラス入り (黒), UL94V-0  
 WAFER: LCP(G.F.) (COLOR: BLACK),  
 UL94V-0  
 ピン: 黄銅 (t=0.15)  
 PIN: BRASS (t=0.15)
  2. メッキ仕様 PLATING  
 全体仕上げ: 金メッキ 0.1 MICROMETER MIN.  
 ALL OVER: GOLD 0.1 MICROMETER MIN.  
 下地メッキ: ニッケルメッキ 1.5 MICROMETER MIN.  
 UNDER PLATING: NICKEL 1.5 MICROMETER MIN.
  3. 基準面 [X] からのソルダーテールの半田付け面のズレ量は、上方向 0、  
 下方向 0.15MAX. とする。  
 MISALIGNMENT OF SOLDER TAIL FROM [X]  
 : UPPER DIRECTION 0, LOWER DIRECTION 0.15 MAX.
- △ (全極数/2) = 偶数の場合に適用。  
 APPLY FOR (CIRCUIT/2)=EVEN.

- 5 嵌合相手: 54167 シリーズ  
 52991 シリーズ  
 MATE WITH: 54167 SERIES,  
 52991 SERIES.
- 6 テール平坦度は、0.1MAX.  
 TAIL COPLANARITY TO BE 0.1MAX.

53916-\*\*\*1 MODEL NO.

20.24	19.5	22.3	53916-0801	80
17.74	17.0	19.8	-0701	70
15.24	14.5	17.3	-0601	60
12.74	12.0	14.8	-0501	50
10.24	9.5	12.3	-0401	40
7.74	7.0	9.8	-0301	30
5.24	4.5	7.3	53916-0201	20
C	B	A	MATERIAL NO.	極数 CIRCUIT

REVISED EC NO: J2006-0604 DR: NNAIDA 2005/08/31 CHK: KTOYODA 2005/09/01 APP: NUKITA 2005/09/09	GENERAL TOLERANCES (UNLESS SPECIFIED)		DIMENSION STYLE MM ONLY		SCALE ---	DESIGN UNITS METRIC	THIRD ANGLE PROJECTION	
	10 UNDER	±0.2	DRAWN BY S. AIHARA	DATE '96/11/28	TITLE 0.5 B/B CONN PLUG ASSY (W/O BOSS, W/O NAIL) -LEAD FREE-			
	10 OVER 30 UNDER	±0.25	CHECKED BY M. SASAO	DATE '01/12/26				
	30 OVER	±0.3	APPROVED BY M. SASAO	DATE '01/12/26	MOLEX INCORPORATED			
ANGULAR	±3 °	MATERIAL NO.	DOCUMENT NO. SD-53916-001	SHEET NO. 1 OF 2				
DRAFT WHERE APPLICABLE MUST REMAIN WITHIN DIMENSIONS		SIZE A3	THIS DRAWING CONTAINS INFORMATION THAT IS PROPRIETARY TO MOLEX INCORPORATED AND SHOULD NOT BE USED WITHOUT WRITTEN PERMISSION					

10 9 8 7 6 5 4 3 2 1

F

E

D

C

B

A

F

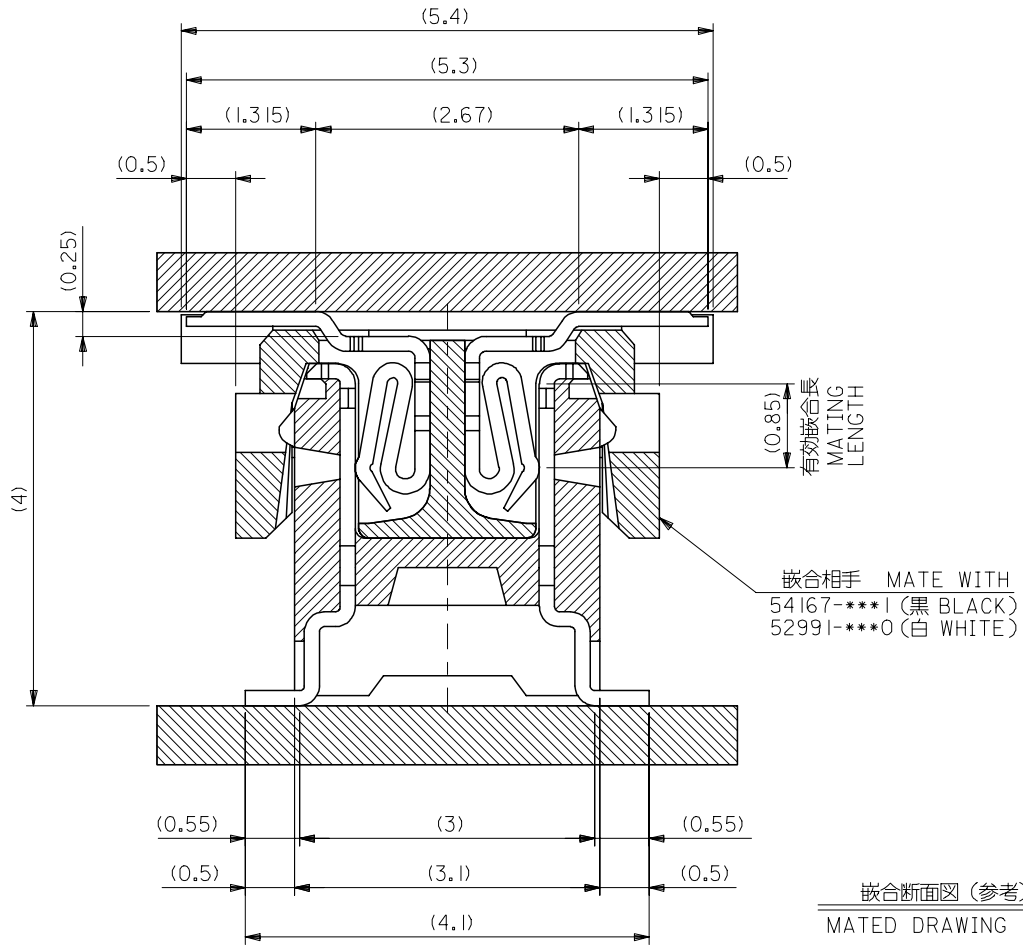
E

D

C

B

A

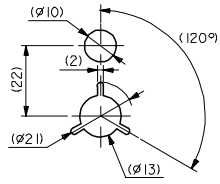
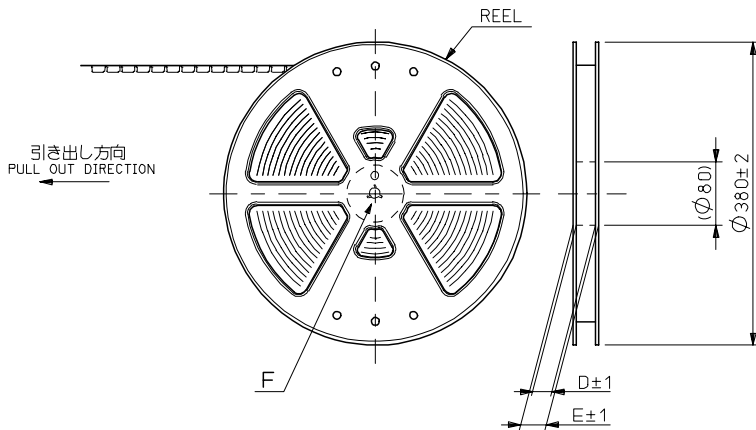


53916-\*\*\*1 MODEL NO.

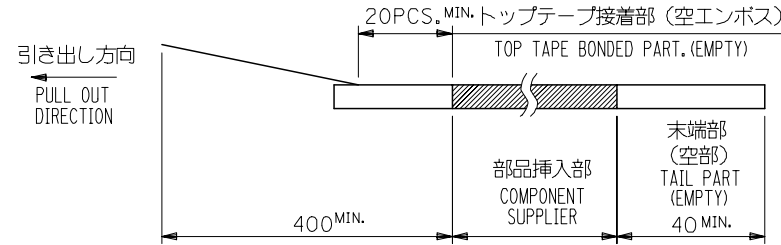
REVISED EC NO: J2006-0604 DRW:NAIDA 2005/08/31 CHK:KTOYODA 2005/09/01 APP:NUKITA 2005/09/09	GENERAL TOLERANCES (UNLESS SPECIFIED)		DIMENSION STYLE MM ONLY		SCALE ---	DESIGN UNITS METRIC	THIRD ANGLE PROJECTION	
	10 UNDER	± ---	DRAWN BY S. AIHARA	DATE '96/11/28	TITLE 0.5 B/B CONN PLUG ASSY (W/O BOSS, W/O NAIL) -LEAD FREE-			
	10 OVER 30 UNDER	± ---	CHECKED BY M. SASAO	DATE '01/12/26	APPROVED BY M. SASAO			
	30 OVER	± ---	APPROVED BY M. SASAO		DATE '01/12/26	MOLEX INCORPORATED		
	ANGULAR ± --- °	DRAFT WHERE APPLICABLE MUST REMAIN WITHIN DIMENSIONS		MATERIAL NO. SEE CHART	DOCUMENT NO. SD-53916-001	SHEET NO. 2 OF 2		
		THIS DRAWING CONTAINS INFORMATION THAT IS PROPRIETARY TO MOLEX INCORPORATED AND SHOULD NOT BE USED WITHOUT WRITTEN PERMISSION						

NOTES

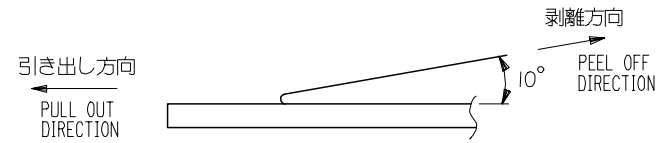
- 製品詳細寸法については図面 SD-53916-001 を参照下さい。  
RE DETAILED DIMENSION, SEE SD-53916-001
- 梱包数量：1500個/リール  
NUMBER OF CONNECTORS：1500PCS/REEL
- リードテープ長さ LEAD TAPE LENGTH



DETAIL F



- トップテープの剥離強度：0.1N~1.3N (10gf~130gf) (剥離方向は下図参照) 尚、本規格値は出荷時に適用。(但し、輸送時に剥離が発生しないこと。)  
PEELING OFF FORCE OF TOP TAPE：0.1N~1.3N (10gf~130gf) (PEELING DIRECTION AS SHOWN IN FOLLOWING FIG.) THIS REQUIREMENT SHOULD BE APPLIED AT SHIPMENT. PEEL OFF SHOULD NOT BE ALLOWED, DURING TRANSPORTATION.



- 材料 (MATERIAL)  
キャリアテープ (CARRIER TAPE)：ポリプロピレン (POLYPROPYLENE)  
トップテープ (TOPTAPE)：PET, PE, PEF  
リール (REEL)：ポリスチレン (PS) <リサイクル材を含む>  
POLYSTYRENE (PS) <RECYCLE MATERIAL CONTAINED>

53916-\*\*\*8 MODEL NO.

REVISED EC NO: J2006-0604 DRW:NAIDA 2005/08/31 CHK:KTOYODA 2005/09/01 APP:NUKITA 2005/09/09	GENERAL TOLERANCES (UNLESS SPECIFIED)		DIMENSION STYLE MM ONLY	SCALE ---	DESIGN UNITS METRIC	THIRD ANGLE PROJECTION
	10 UNDER	± 0.2	DRAWN BY S. AIHARA	DATE '96/11/27	TITLE 0.5 B/B CONN PLUG ASSY EMBSTP PKG -LEAD FREE-	
	10 OVER 30 UNDER	± 0.25	CHECKED BY T. ITO	DATE '01/01/26	MOLEX INCORPORATED	
	30 OVER	± 0.3	APPROVED BY M. FUKUSHIMA	DATE '01/01/26	DOCUMENT NO. SD-53916-002	SHEET NO. 1 OF 4
	ANGULAR	± 3 °	MATERIAL NO. SEE CHART			
G	DRAFT WHERE APPLICABLE MUST REMAIN WITHIN DIMENSIONS		SIZE A3	THIS DRAWING CONTAINS INFORMATION THAT IS PROPRIETARY TO MOLEX INCORPORATED AND SHOULD NOT BE USED WITHOUT WRITTEN PERMISSION		

10 9 8 7 6 5 4 3 2 1

F

E

D

C

B

A

F

E

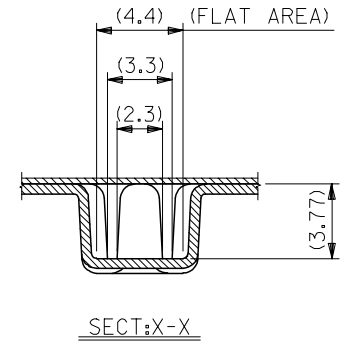
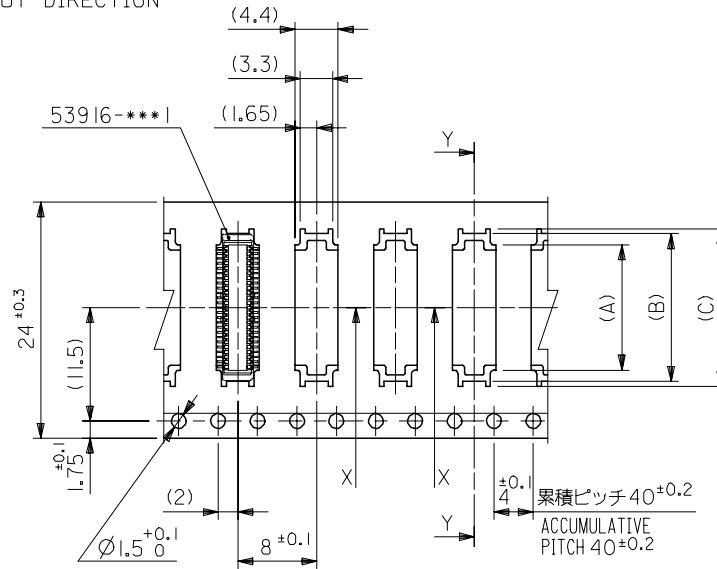
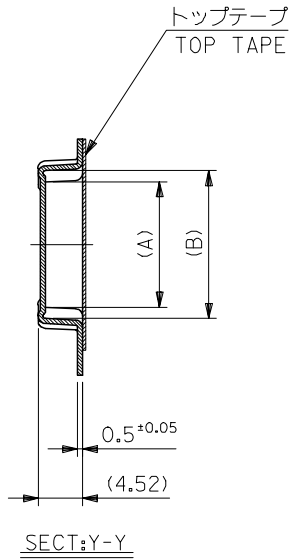
D

C

B

A

引き出し方向  
PULL OUT DIRECTION



24mm幅キャリアテープ  
24mm WIDTH CARRIER TAPE

24	29.4	25.4	16	15	12.67	53916-0508	50
			13.5	12.5	10.17	53916-0408	40
			11	10	7.67	53916-0308	30
			8.5	7.5	5.17	53916-0208	20

53916-***8	MODEL NO.	キャリアテープ幅 CARRIER TAPE WIDTH	E	D	(C)	(B)	(A)	MATERIAL NO.	極数 CIRCUIT
------------	-----------	--------------------------------	---	---	-----	-----	-----	--------------	---------------

REVISED EC NO: J2006-0604 DRW:NAIDA 2005/08/31 CHK:KTOYODA 2005/09/01 APP:NUKITA 2005/09/09	GENERAL TOLERANCES (UNLESS SPECIFIED)		DIMENSION STYLE MM ONLY		SCALE ---	DESIGN UNITS METRIC	THIRD ANGLE PROJECTION		
	10 UNDER	± ---	DRAWN BY S. AIHARA	DATE '96/11/27	TITLE 0.5 B/B CONN PLUG ASSY EMBSTP PKG -LEAD FREE-				
	10 OVER 30 UNDER	± ---	CHECKED BY T. ITO	DATE '01/01/26	MOLEX INCORPORATED				
	30 OVER	± ---	APPROVED BY M. FUKUSHIMA	DATE '01/01/26	DOCUMENT NO. SD-53916-002				
	ANGULAR	± --- °	MATERIAL NO. SEE CHART		SHEET NO. 2 OF 4				

DRAFT WHERE APPLICABLE  
MUST REMAIN  
WITHIN DIMENSIONS

SIZE A3 THIS DRAWING CONTAINS INFORMATION THAT IS PROPRIETARY TO MOLEX INCORPORATED AND SHOULD NOT BE USED WITHOUT WRITTEN PERMISSION

9

8

7

6

5

4

3

2

10 9 8 7 6 5 4 3 2 1

F

E

D

C

B

A

F

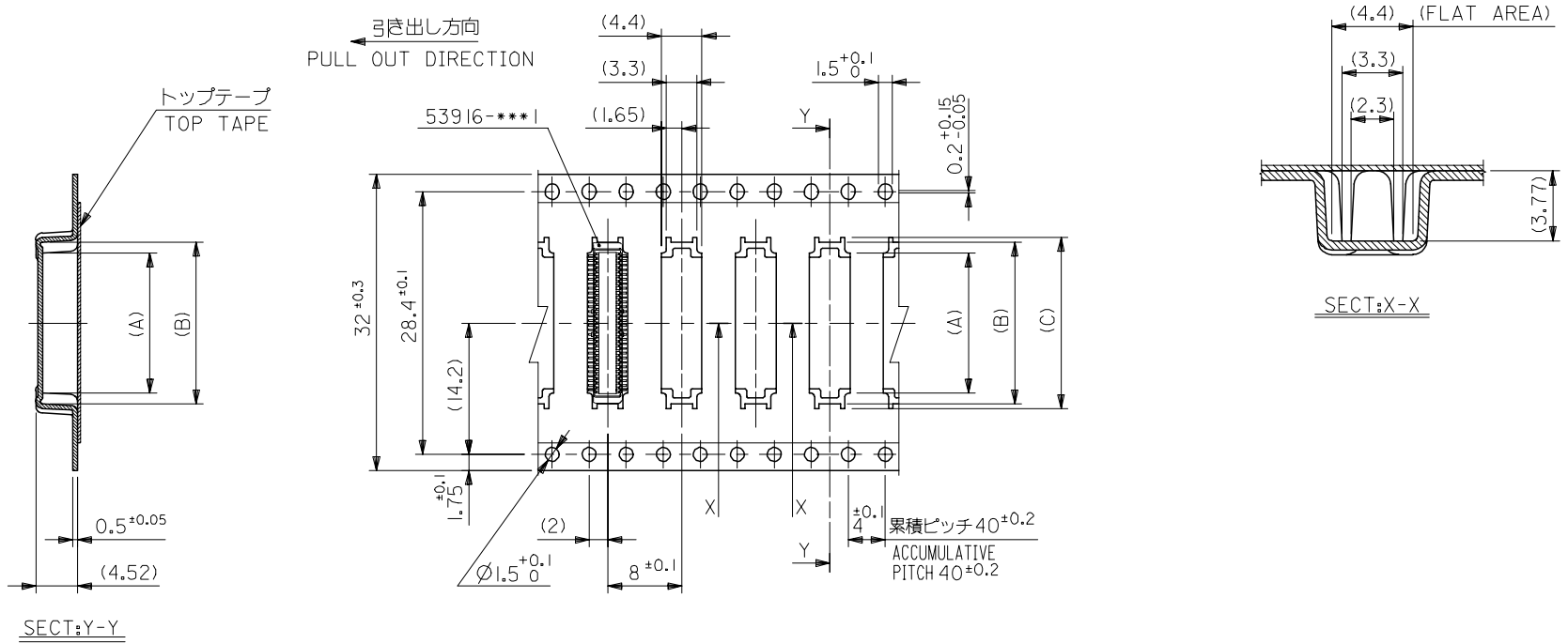
E

D

C

B

A



32mm幅キャリアテープ  
32mm WIDTH CARRIER TAPE

REVISED	EC NO: J2006-0604	2005/08/31	DRW:NAIDA	2005/09/01	CHK:KTOYODA	2005/09/09	APP:NUKITA	DESCRIPTION	53916-***8	MODEL NO.	32	37.4	33.4	18.5	17.5	15.17	53916-0608	60
G	GENERAL TOLERANCES (UNLESS SPECIFIED)								DIMENSION STYLE		SCALE		DESIGN UNITS		THIRD ANGLE PROJECTION			
10 UNDER		± ---		DRAWN BY		DATE		TITLE		---		METRIC		0.5 B/B CONN PLUG ASSY				
10 OVER 30 UNDER		± ---		T. YASUI		'97/05/14		EMBSTP PKG						-LEAD FREE-				
30 OVER		± ---		T. ITO		'01/01/26		ANGULAR		°				MOLEX INCORPORATED				
DRAFT WHERE APPLICABLE		MUST REMAIN		APPROVED BY		DATE		SEE CHART		DOCUMENT NO.		SD-53916-002		SHEET NO.				
WITHIN DIMENSIONS				M. FUKUSHIMA		'01/01/26		MATERIAL NO.						3 OF 4				
				SIZE		A3		THIS DRAWING CONTAINS INFORMATION THAT IS PROPRIETARY TO MOLEX INCORPORATED AND SHOULD NOT BE USED WITHOUT WRITTEN PERMISSION										

10 9 8 7 6 5 4 3 2 1

F

E

D

C

B

A

F

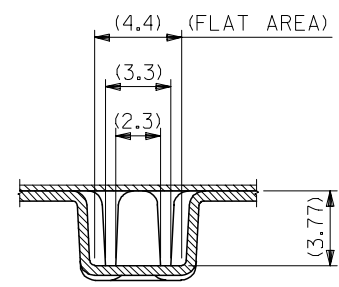
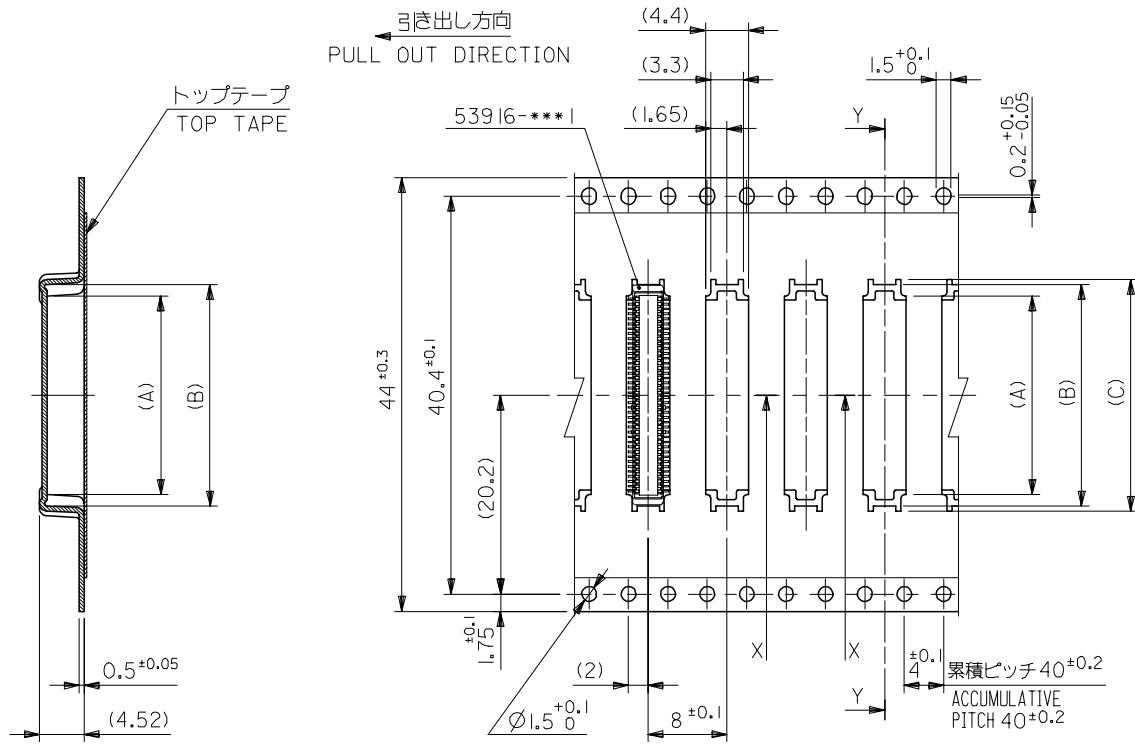
E

D

C

B

A



SECT:Y-Y

44mm幅キャリアテープ  
44mm WIDTH CARRIER TAPE

REVISED		53916-***8 MODEL NO.		44	49.4	45.4	23.5	22.5	20.17	53916-0808	80
EC NO: J2006-0604		GENERAL TOLERANCES (UNLESS SPECIFIED)		キャリアテープ幅 CARRIER TAPE WIDTH		E	D	(C)	(B)	(A)	極数 CIRCUIT
DRWN:NAIDA 2005/08/31		DIMENSION STYLE		SCALE		DESIGN UNITS		THIRD ANGLE PROJECTION			
CHKD:KTOYODA 2005/09/01		10 UNDER ± ---		MM ONLY		METRIC		0.5 B/B CONN PLUG ASSY EMBSTP PKG -LEAD FREE-			
APPR:NUKITA 2005/09/09		10 OVER 30 UNDER ± ---		DRAWN BY DATE		TITLE		MOLEX INCORPORATED			
REV		30 OVER ± ---		S. AIHARA '98/10/23		M. FUKUSHIMA '01/01/26		SD-53916-002			
G		ANGULAR ± --- °		CHECKED BY DATE		MATERIAL NO.		DOCUMENT NO.		SHEET NO.	
		DRAFT WHERE APPLICABLE MUST REMAIN WITHIN DIMENSIONS		T. ITO '01/01/26		SEE CHART		SD-53916-002		4 OF 4	
				APPROVED BY DATE		THIS DRAWING CONTAINS INFORMATION THAT IS PROPRIETARY TO MOLEX INCORPORATED AND SHOULD NOT BE USED WITHOUT WRITTEN PERMISSION					
				M. FUKUSHIMA '01/01/26							