



Chipsmall Limited consists of a professional team with an average of over 10 year of expertise in the distribution of electronic components. Based in Hongkong, we have already established firm and mutual-benefit business relationships with customers from,Europe,America and south Asia,supplying obsolete and hard-to-find components to meet their specific needs.

With the principle of “Quality Parts,Customers Priority,Honest Operation,and Considerate Service”,our business mainly focus on the distribution of electronic components. Line cards we deal with include Microchip,ALPS,ROHM,Xilinx,Pulse,ON,Everlight and Freescale. Main products comprise IC,Modules,Potentiometer,IC Socket,Relay,Connector.Our parts cover such applications as commercial,industrial, and automotives areas.

We are looking forward to setting up business relationship with you and hope to provide you with the best service and solution. Let us make a better world for our industry!



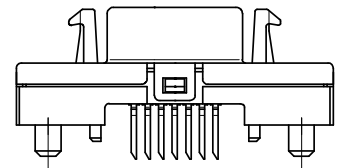
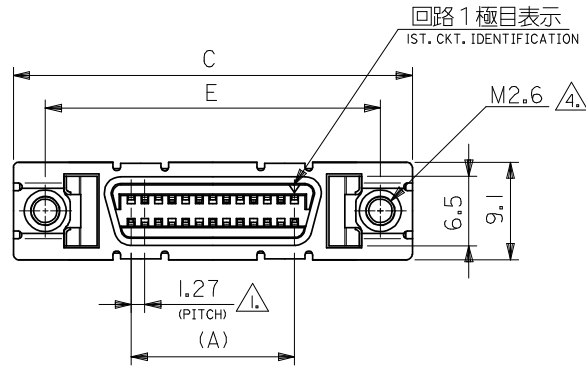
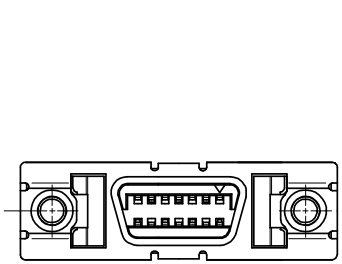
## Contact us

Tel: +86-755-8981 8866 Fax: +86-755-8427 6832

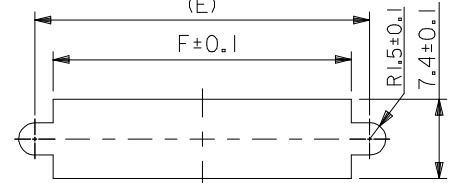
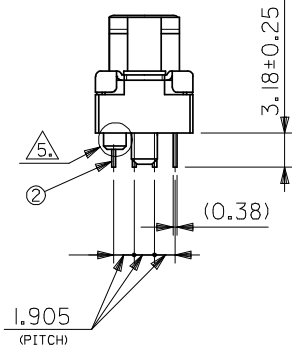
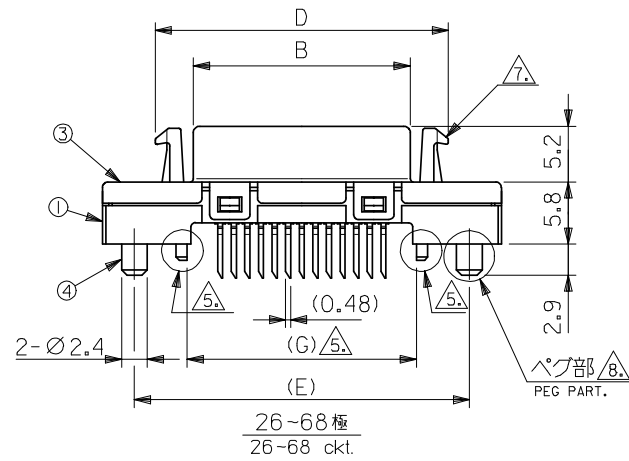
Email & Skype: info@chipsmall.com Web: www.chipsmall.com

Address: A1208, Overseas Decoration Building, #122 Zhenhua RD., Futian, Shenzhen, China



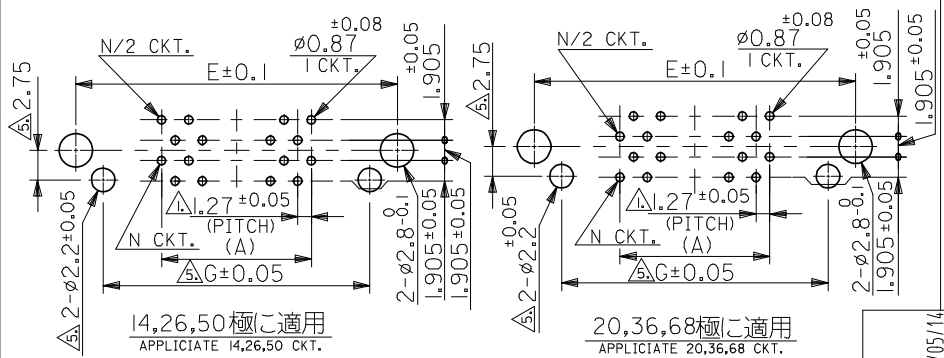


14, 20極  
14, 20 ckt.



NO.	部品名 PART NAME	材質 MATERIAL	仕上げ FINISH
①	レセプタクル ハウジング RECEPTACLE HOUSING	ガラス入りPBT、黒色、UL-94V-0 G.F.PBT, BLACK, UL-94V-0	—
②	レセプタクル ターミナル RECEPTACLE TERMINAL	りん青銅 PHOSPHOR BRONZE	△3
③	シールド カバー SHIELDED COVER	鋼材 STEEL	—
④	ナット NUT	黄銅 BRASS	—

- 注記  
NOTE
- 公差非累積  
TOLERANCE: NON CUMULATIVE
  - 推奨基板厚: ±1.6±0.1  
RECOMMENDED P.C.B THICKNESS
  - ターミナル: メッキ仕様  
TERMINAL PLATING  
金メッキ: 0.3 MICROMETER MIN. (接点部)  
COLD GOLD (CONTACT AREA)  
銅メッキ: 1.0 MICROMETER MIN. (半田付け部)  
TIN (SOLDER AREA)  
ニッケルメッキ: 2.0 MICROMETER MIN. (下地メッキ)  
NICKEL (UNDER AREA)
  - ねじ締め付トルクは2.5~3.5Kgf・cmとする。  
ねじ深さ: 2.6  
SCREW TIGHTING TORQUE TO BE 2.5~3.5Kgf・cm MAX.  
DEPTH: 2.6
  - 54122-\*\*-\*\*28に適合  
APPLICIATE 54122-\*\*-\*\*28
  - パネル取り付け穴推奨寸法  
RECOMMENDED PANEL OPENING
  - ラッチレシーバ部には49N (5Kgf) 以上の過度な負荷を加えないこと。  
NOT APPLY THE LOAD AND IMPACT OF 49N(5Kgf) OR MORE TO THE RATCH RECHIEVER.
  - 本コネクタ使用の際は必ず両面スルーホール基板を使用し、パブ部に半田付けを行なうこと。  
USE THIS CONNECTOR BY THE THROUGH HOLE BOTH SIDE PCB, AND SOLDER WITH PEG.
  - 本製品は 54122-\*\*-\*\*1\* の鉛フリー品である。  
THIS PRODUCT IS LEAD FREE OF 54122-\*\*-\*\*1\*.



△基板穴推奨寸法 (部品実装側)  
RECOMMENDED P.C.B LAYOUT (COMPONENT SIDE)  
(両面スルーホール基板使用のこ.)  
(USE THE THROUGH HOLE BOTH SIDE PCB.)

36.64	43.09	46.5	42.6	52.45	35.48	30.48		54122-5029		54122-5028	50	
27.75	34.2	37.61	33.71	43.56	26.59	21.59		↑ -3629		↑ -3628	36	
21.4	27.85	31.26	27.36	37.21	20.24	15.24		↑ -2629		↑ -2628	26	
17.59	24.04	27.45	23.55	33.4	16.43	11.43		↑ -2029		↑ -2028	20	
13.78	20.23	23.64	19.74	29.59	12.62	7.62		↑ 54122-1429		↑ 54122-1428	14	
△G	F	E	D	C	B	A		ボス無 NON BOSS	製品番号 MATERIAL NO.	ボス有 BOSS EXIST	製品番号 MATERIAL NO.	極数 CKT.

REVISED  
EC NO: J2008-3698  
DRAWN: INOSHITA 2008/05/14  
CHKD: T. HARUYAMA 2008/05/14  
APPR: NUKITA 2008/06/09

GENERAL TOLERANCES (UNLESS SPECIFIED)		DIMENSION STYLE MM ONLY		SCALE 2:1	DESIGN UNITS METRIC	THIRD ANGLE PROJECTION	
10 UNDER	±0.2	DRAWN BY T. UENO	DATE '04/05/13	1.27 I/O MOLD LATCH STRAIGHT RECEPTACLE -LEAD FREE-			
10 OVER 30 UNDER	±0.25	CHECKED BY M. SASAO	DATE '04/05/13				
30 OVER	±0.3	APPROVED BY M. SASAO	DATE '04/05/13				
ANGULAR ±3°		MATERIAL NO.		DOCUMENT NO.		SHEET NO.	
DRAFT WHERE APPLICABLE MUST REMAIN WITHIN DIMENSIONS		SEE TABLE		SD-54122-001		1 OF 1	
THIS DRAWING CONTAINS INFORMATION THAT IS PROPRIETARY TO MOLEX INCORPORATED AND SHOULD NOT BE USED WITHOUT WRITTEN PERMISSION							