



Chipsmall Limited consists of a professional team with an average of over 10 year of expertise in the distribution of electronic components. Based in Hongkong, we have already established firm and mutual-benefit business relationships with customers from,Europe,America and south Asia,supplying obsolete and hard-to-find components to meet their specific needs.

With the principle of “Quality Parts,Customers Priority,Honest Operation,and Considerate Service”,our business mainly focus on the distribution of electronic components. Line cards we deal with include Microchip,ALPS,ROHM,Xilinx,Pulse,ON,Everlight and Freescale. Main products comprise IC,Modules,Potentiometer,IC Socket,Relay,Connector.Our parts cover such applications as commercial,industrial, and automotives areas.

We are looking forward to setting up business relationship with you and hope to provide you with the best service and solution. Let us make a better world for our industry!



Contact us

Tel: +86-755-8981 8866 Fax: +86-755-8427 6832

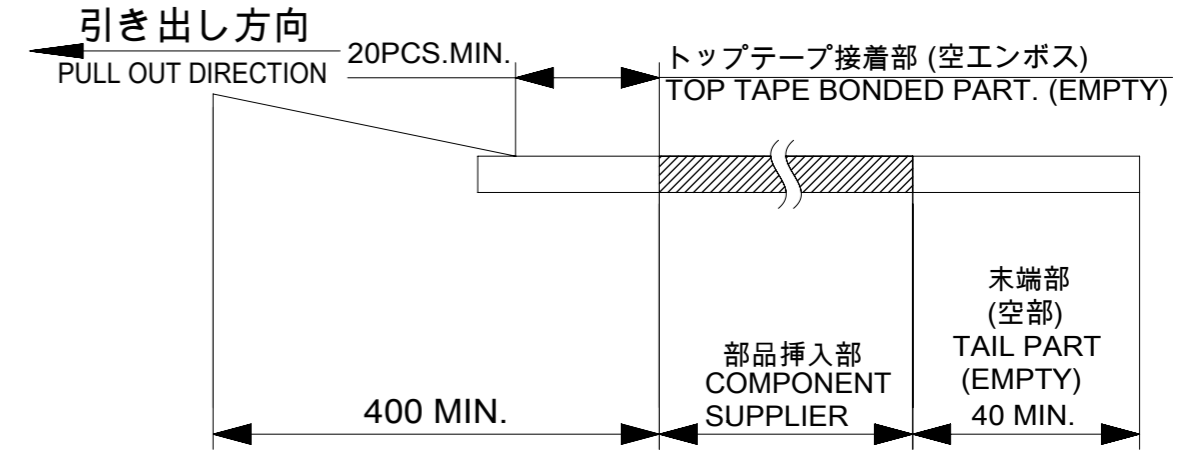
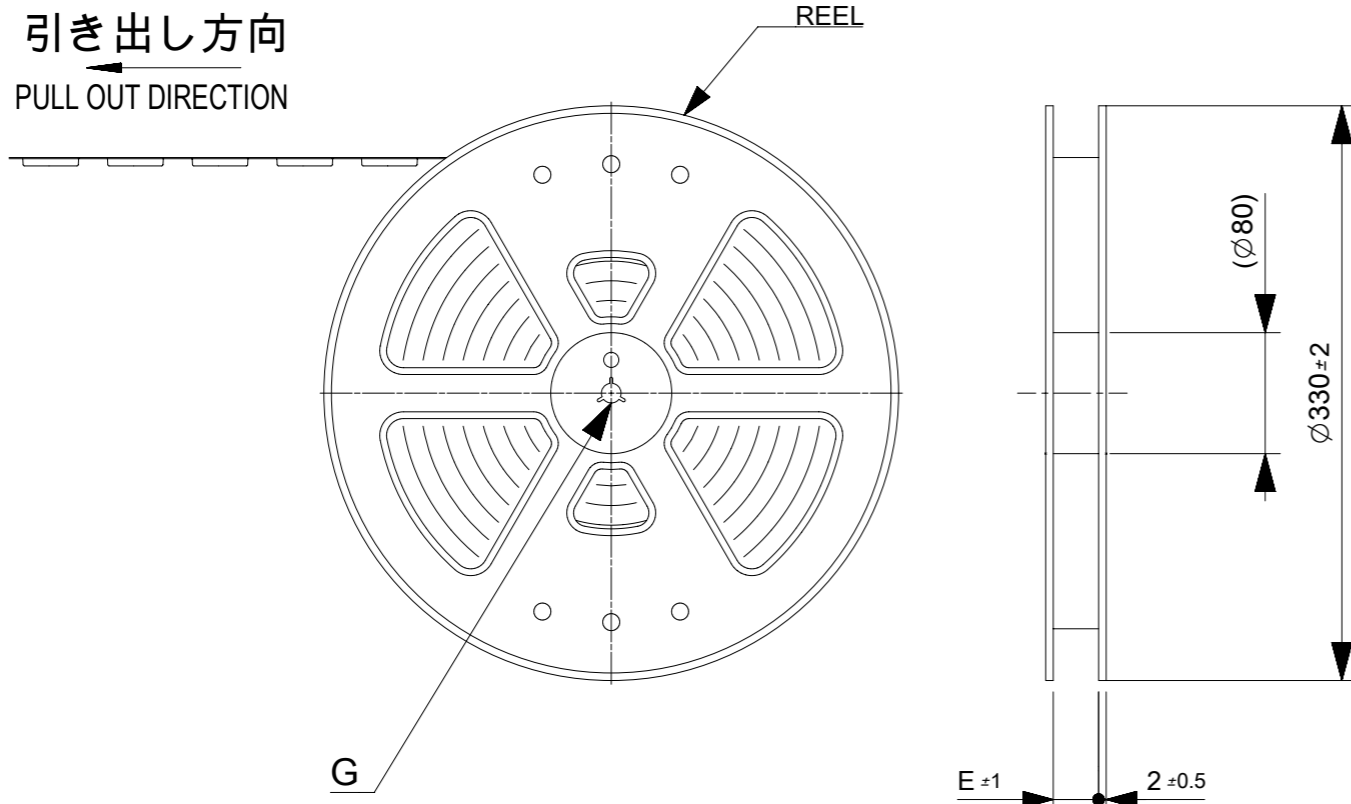
Email & Skype: info@chipsmall.com Web: www.chipsmall.com

Address: A1208, Overseas Decoration Building, #122 Zhenhua RD., Futian, Shenzhen, China

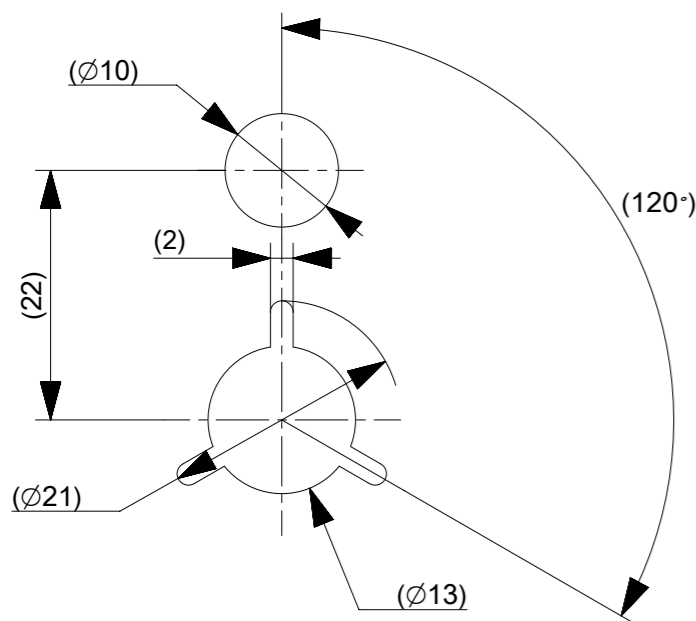


NOTES

- 54132**22 のアクチュエータはハウジング内に押し下げた状態とする。
詳細寸法については図面 54132100(Doc. Part No.: 000) をご参照下さい。
ACTUATOR OF PART NO. 54132**22 SHOULD BE LOCKED .
BE DETAILED DIMENSIONS, SEE 54132100(Doc. Part No.: 000)
- 梱包数量 : 1500個 / リール
NUMBER OF CONNECTORS : 1500 PCS/REEL.
- リードテープ長さ LEAD TAPE LENGTH.



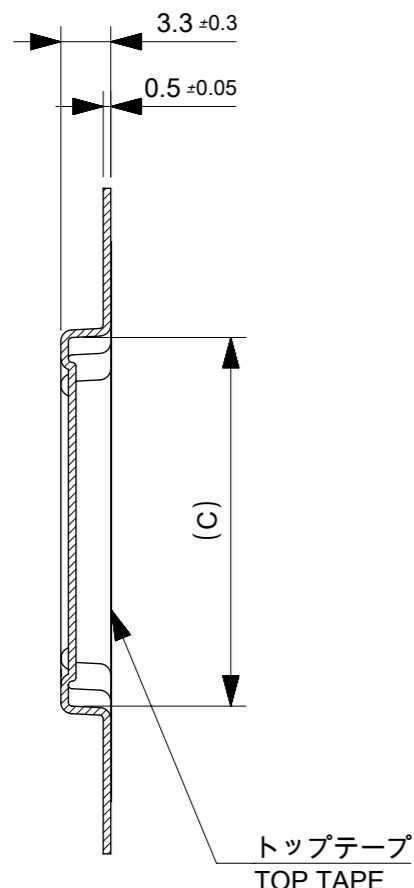
- カバーテープの剥離強度については、IEC60286-3に準拠
COVER TAPE PEEL FORCE IS DEDFINED BY IEC 60286-3
- 材料 (MATERIAL)
キャリアテープ (CARRIER TAPE) : ポリスチレン (PS) (POLYSTYRENE)
トップテープ (TOP TAPE) : PS
リール (REEL) : ポリスチレン (POLYSTYLENE)
- ELV及びRoHS適合品
ELV AND RoHS COMPLIANT.



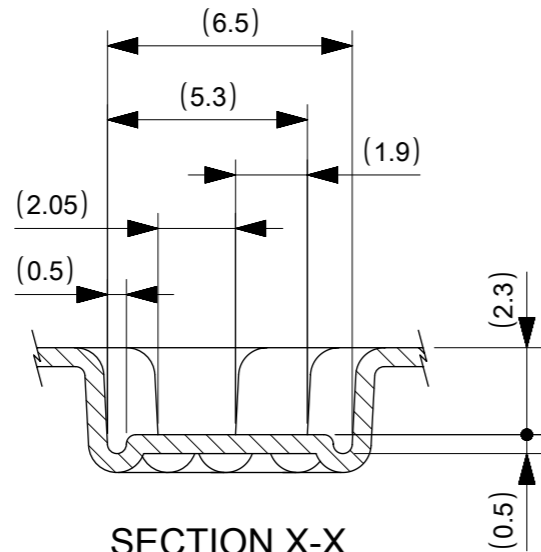
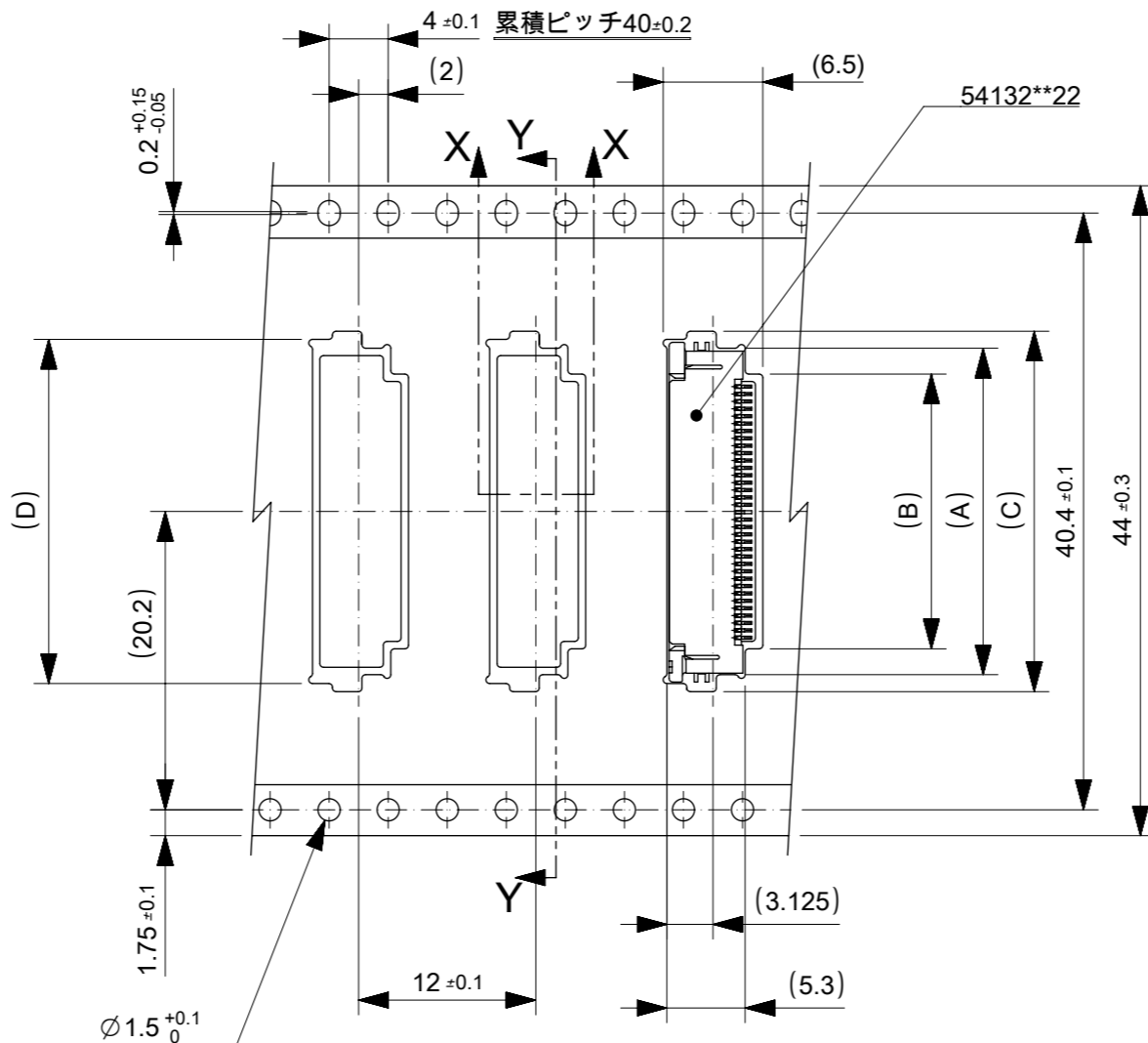
DETAIL G

THIS DRAWING CONTAINS INFORMATION THAT IS PROPRIETARY TO MOLEX ELECTRONIC TECHNOLOGIES, LLC AND SHOULD NOT BE USED WITHOUT WRITTEN PERMISSION

EC NO: 103444 DRWN: NVELUSAMY CHK'D: YKOBAYASHI02 APPR: TKUSUHARA01	2016/02/18 2016/05/23 2016/05/24	GENERAL TOLERANCES (UNLESS SPECIFIED) ANGULAR TOL ± °	DIMENSION UNITS: MM SCALE: 1:1				
	4 PLACES ± 3 PLACES ± 2 PLACES ± 1 PLACE ± 0 PLACES ±	DRWN BY: NVELUSAMY DATE: 2016/02/18	DRWN BY: NVELUSAMY DATE: 2016/02/18				
	DRAFT WHERE APPLICABLE MUST REMAIN WITHIN DIMENSIONS	APPR BY: TKUSUHARA01 DATE: 2016/05/24	CHK'D BY: YKOBAYASHI02 DATE: 2016/05/23	APPR BY: TKUSUHARA01 DATE: 2016/05/24	PRODUCT CUSTOMER DRAWING		
	A	REV	DRAWING SIZE: A3 THIRD ANGLE PROJECTION	DRAWING SIZE: A3 THIRD ANGLE PROJECTION	SERIES: 54132 MATERIAL NUMBER: SEE CHART CUSTOMER: GENERAL	DOCUMENT NUMBER: 541320000 DOC TYPE: PSD DOC PART: 000 SHEET NUMBER: 1 OF 2	



SECTION Y-Y



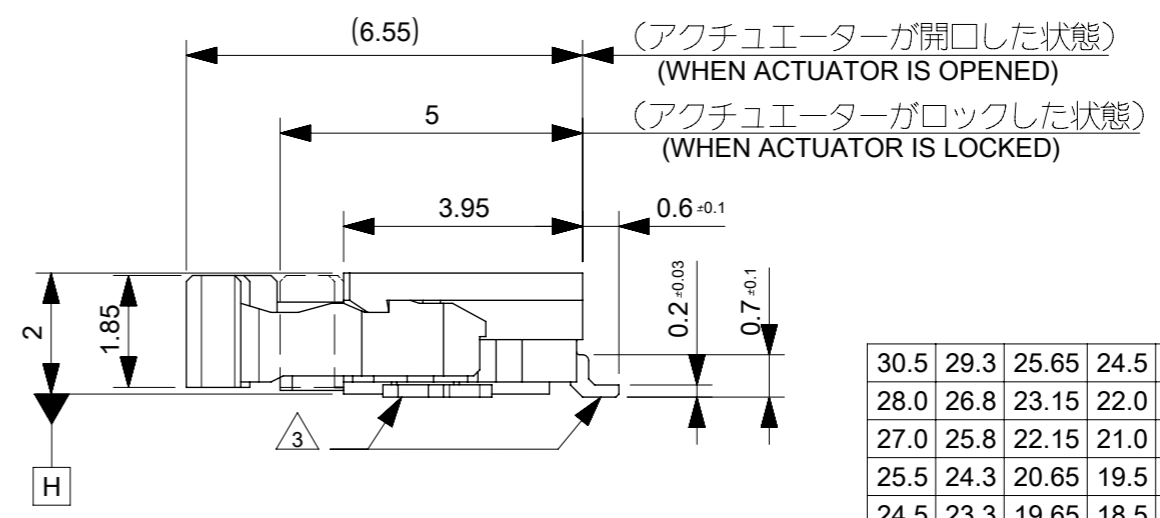
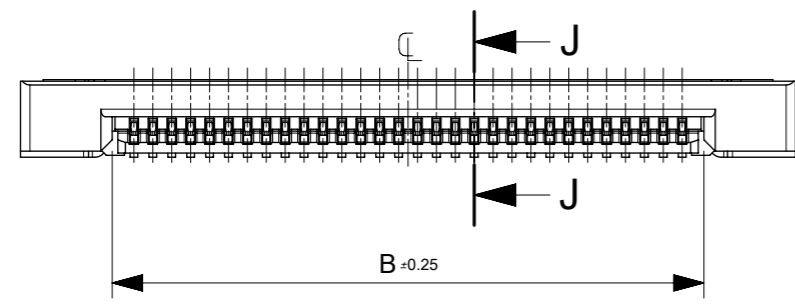
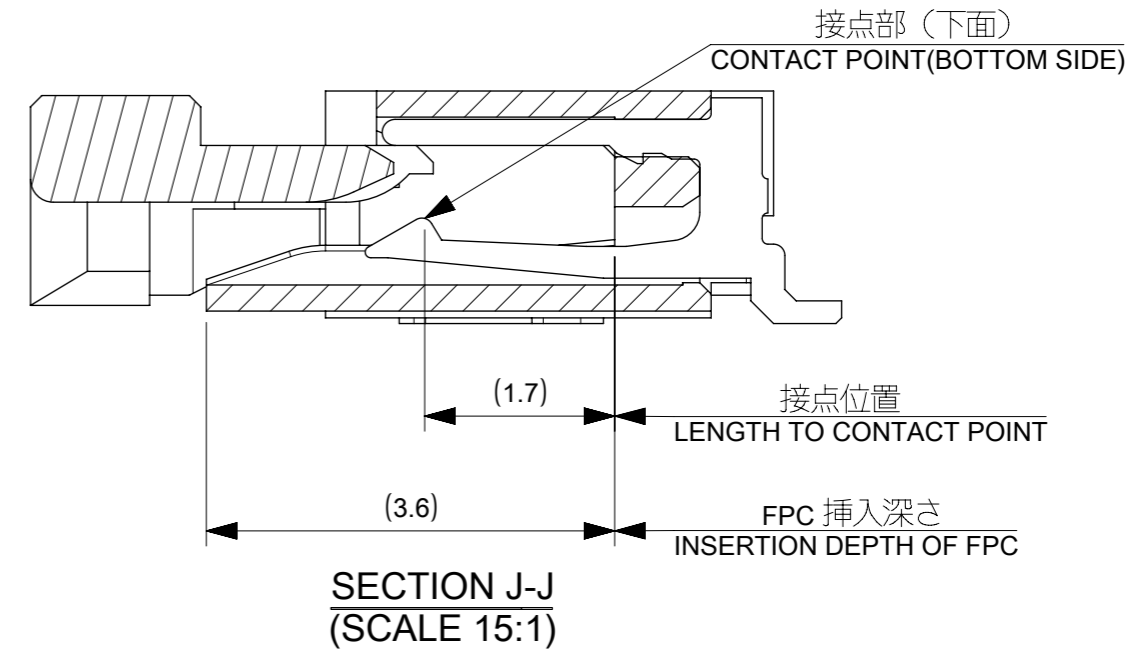
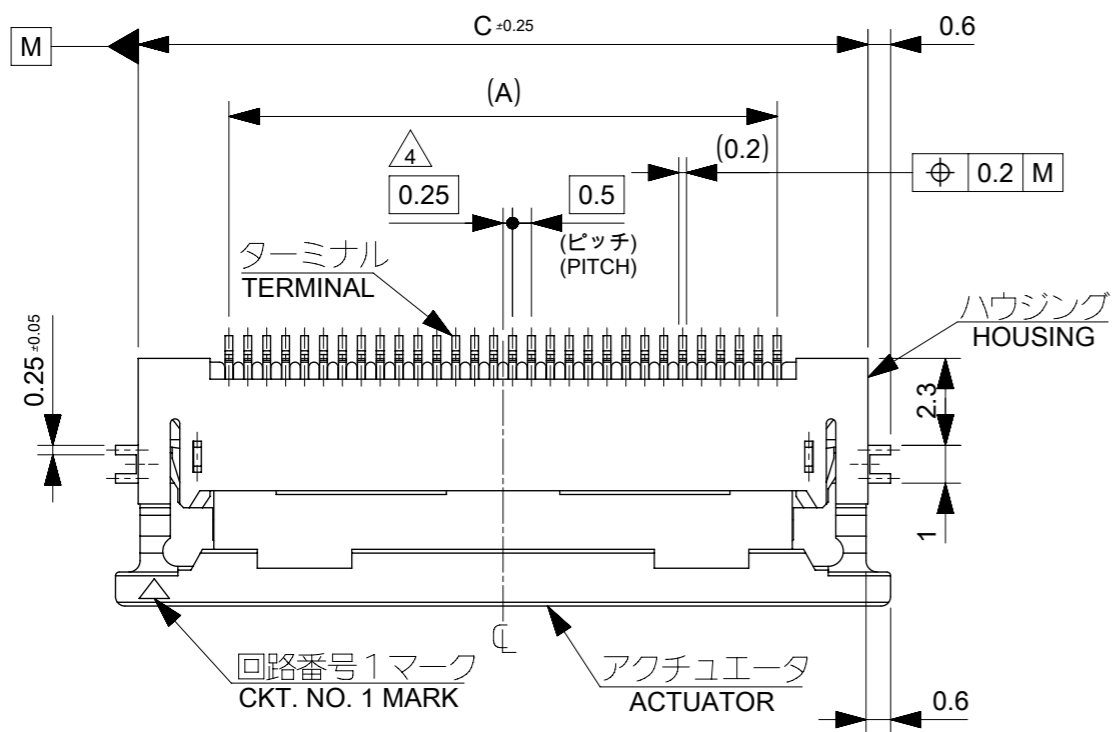
SECTION X-X
(SCALE 5:1)

44	45.5	30.8	31.9	26.1	29.6	541325033	50	
		28.3	29.4	23.6	27.1	541324533	45	
		27.3	28.4	22.6	26.1	541324333	43	
		25.8	26.9	21.1	24.6	541324033	40	
		24.8	25.9	20.1	23.6	541323833	38	
		23.8	24.9	19.1	22.6	541323633	36	
		23.3	24.4	18.6	22.1	541323533	35	
		22.8	23.9	18.1	21.6	541323433	34	
		22.3	23.4	17.6	21.1	541323333	33	
		21.8	22.9	17.1	20.6	541323233	32	
20.8	21.9	16.1	19.6	541323033	30			
キャリアテープ幅 CARRIER TAPE WIDTH		E	D	C	B	A	MATERIAL NO.	CKT.

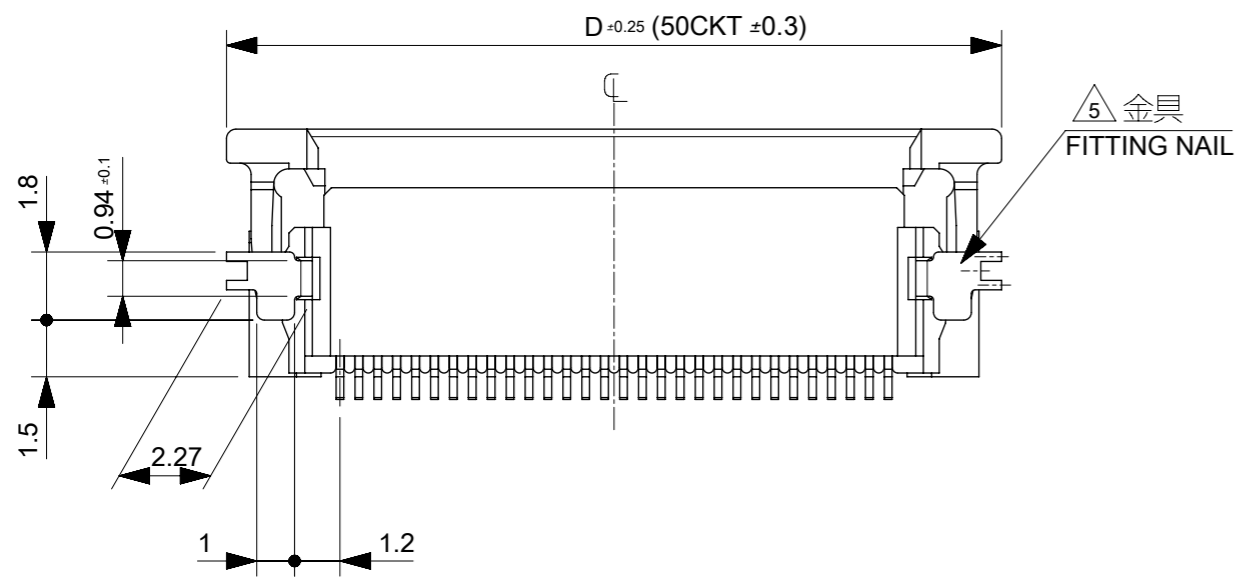
THIS DRAWING CONTAINS INFORMATION THAT IS PROPRIETARY TO MOLEX ELECTRONIC TECHNOLOGIES, LLC AND SHOULD NOT BE USED WITHOUT WRITTEN PERMISSION

EC NO: 103444 DRWN: NVELUSAMY CHK'D: YKOBAYASHI02 APPR: TKUSUHARA01	2016/02/18	GENERAL TOLERANCES (UNLESS SPECIFIED)		DIMENSION UNITS	SCALE	
	2016/05/23	ANGULAR TOL ± °		MM	1:1	
	2016/05/24	4 PLACES ±	DRWN BY	DATE		
		3 PLACES ±	NVELUSAMY	2016/02/18		
		2 PLACES ±	CHK'D BY	DATE		
	1 PLACE ±	YKOBAYASHI02	2016/05/23			
	0 PLACES ±	APPR BY	DATE			
		TKUSUHARA01	2016/05/24			
DRAFT WHERE APPLICABLE MUST REMAIN WITHIN DIMENSIONS		DRAWING SIZE	THIRD ANGLE PROJECTION			
A	REV	A3				

PRODUCT CUSTOMER DRAWING		
SERIES	MATERIAL NUMBER	CUSTOMER
54132	SEE CHART	GENERAL
DOCUMENT NUMBER	DOC TYPE	DOC PART
541320000	PSD	000
SHEET NUMBER		
2 OF 2		



30.5	29.3	25.65	24.5	541325033	50
28.0	26.8	23.15	22.0	541324533	45
27.0	25.8	22.15	21.0	541324333	43
25.5	24.3	20.65	19.5	541324033	40
24.5	23.3	19.65	18.5	541323833	38
23.5	22.3	18.65	17.5	541323633	36
23.0	21.8	18.15	17.0	541323533	35
22.5	21.3	17.65	16.5	541323433	34
22.0	20.8	17.15	16.0	541323333	33
21.5	20.3	16.65	15.5	541323233	32
20.5	19.3	15.65	14.5	541323033	30

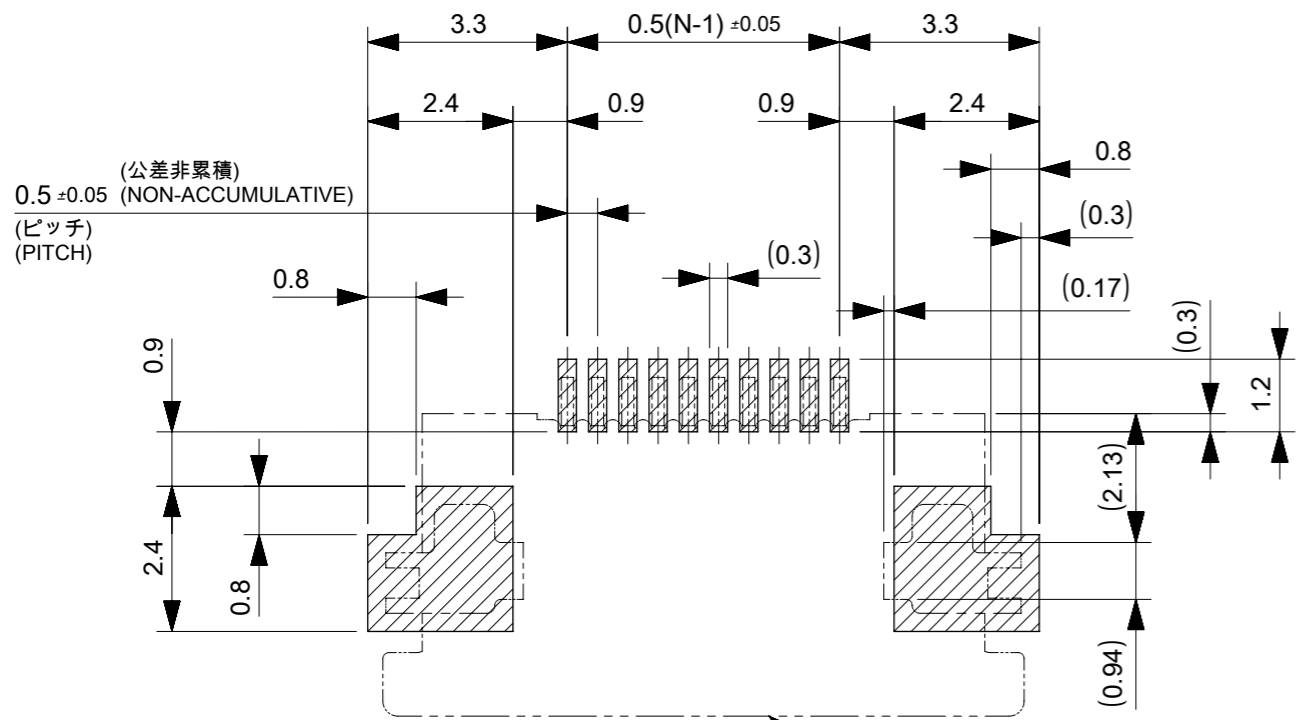


D	C	B	A	EMBOSSED PACKAGE	極数
				オーダー番号 ORDER No.	CKT.

CONNECTOR SERIES NO. : 54132**22

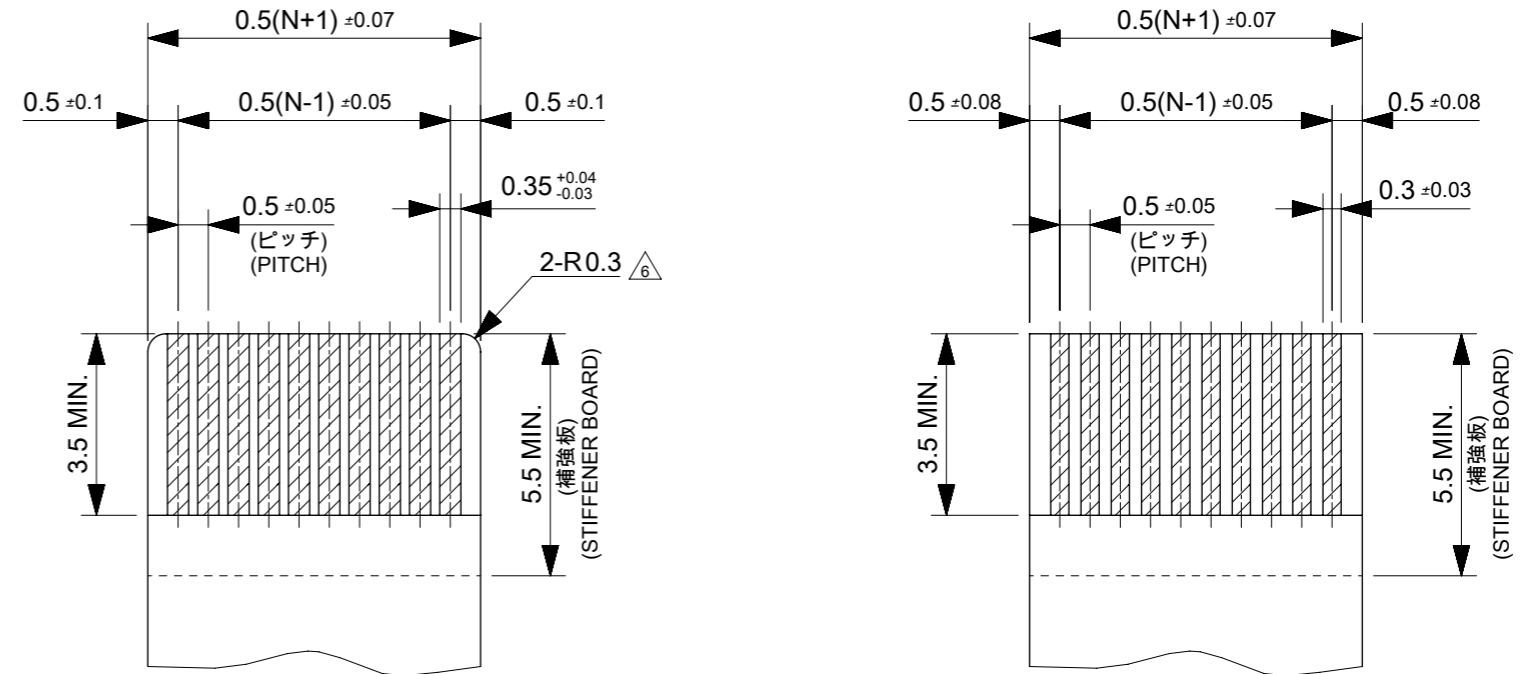
THIS DRAWING CONTAINS INFORMATION THAT IS PROPRIETARY TO MOLEX ELECTRONIC TECHNOLOGIES, LLC AND SHOULD NOT BE USED WITHOUT WRITTEN PERMISSION

2016/02/18	2016/05/23	2016/05/24	GENERAL TOLERANCES (UNLESS SPECIFIED)	DIMENSION UNITS	SCALE	molex [®]			
EC NO: 103444 DRWN: ABABU01 CHK'D: YKOBAYASHI02 APPR: TKUSUHARA01	A	REV	ANGULAR TOL $\pm 3.0^\circ$	MM	5:1				
			4 PLACES \pm	DRWN BY	DATE				
			3 PLACES \pm	ABABU01	2016/02/18				
			2 PLACES ± 0.2	CHK'D BY	DATE				
			1 PLACE ± 0.2	YKOBAYASHI02	2016/05/23				
			0 PLACES ± 0.2	APPR BY	DATE				
			TKUSUHARA01	2016/05/24		PRODUCT CUSTOMER DRAWING			
			DRAFT WHERE APPLICABLE MUST REMAIN WITHIN DIMENSIONS	DRAWING SIZE	THIRD ANGLE PROJECTION	SERIES	MATERIAL NUMBER	CUSTOMER	
				A3		54132	SEE CHART	GENERAL	
						DOCUMENT NUMBER	DOC TYPE	DOC PART	SHEET NUMBER
						541321000	PSD	000	1 OF 2



推奨基板レイアウト
RECOMMENDED PC BOARD PATTERN DIMENSION (REF.)
(マウント面)
(MOUNTING SIDE)

マスク厚 : 100μm
マスク開口率 : 100%
SCREEN THICKNESS : 100 MICROMETER
SCREEN OPEN RATIO : 100%



適合 FPC 推奨寸法
APPLICABLE FPC RECOMMENDED DIMENSION
(仕上がり厚さ : 0.3±0.03)
(THICKNESS : 0.3±0.03)

適合 FFC 推奨寸法
APPLICABLE FFC RECOMMENDED DIMENSION
(仕上がり厚さ : 0.3±0.03)
(THICKNESS : 0.3±0.03)

注記 NOTES

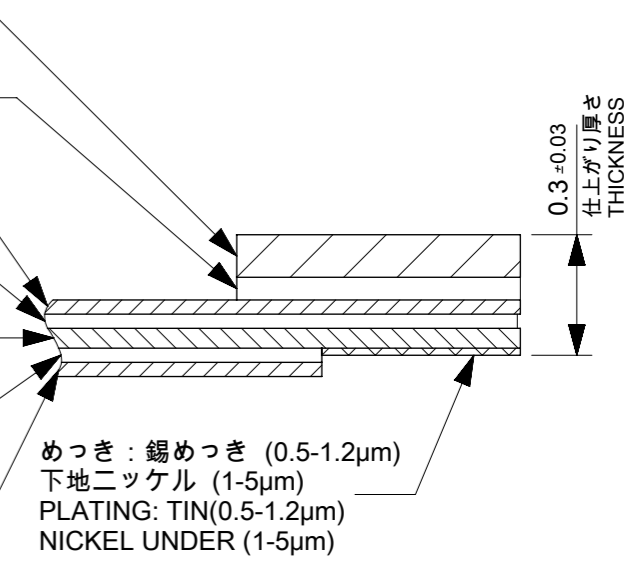
- 材質 MATERIAL
ハウジング : ポリアミド(PA)、ガラス充填、ナチュラル (白)、UL94V-0
HOUSING : POLYAMIDE, GLASS FILLED, NATURAL, UL94V-0
アクチュエータ : ポニフェニレンサルファライド (PPS)、ガラス充填、黒色、UL94V-0
ACTUATOR : POLYPHENYLENE SULFIDE GLASS FILLED, BLACK, UL94V-0
ターミナル : リン青銅 (t=0.2)
TERMINAL : PHOSPHOR BRONZE (t=0.2)
金具 : リン青銅 (t=0.2)
NAIL : PHOSPHOR BRONZE (t=0.2)
- めっき仕様 PLATING
ターミナル TERMINAL
錫銀ビスマスめっき (1.0μm以上)
下地 : ニッケルめっき (1.0μm以上)
TIN SILVER BISMUTH PLATING (1.0 MICROMETER MINIMUM)
UNDER PLATE : NICKEL PLATING (1.0 MICROMETER MINIMUM)
金具
錫めっき (1.0μm以上)
下地 : ニッケルめっき (1.0μm以上)
TIN PLATING (1.0 MICROMETER MINIMUM)
UNDER PLATE : NICKEL PLATING (1.0 MICROMETER MINIMUM)
3 ソルダータール半田付け面のズレ量、及び金具半田付け面のズレ量は基準面 H に対して上方向0.1MAXIMUM、下方向0.15MAXIMUMとする。

FPC/FFCについて ABOUT FPC/FFC
打ち抜き方向は導体側から補強板側を推奨します。
導体部については軟箔銅35μmまたは50μmを推奨します。
RECOMMENDED PUNCHING DIRECTION:
FROM CONDUCTOR SIDE TO STIFFENER SIDE
RECOMMENDED CONDUCTOR SPEC:
SOFT COPPER FOIL
RECOMMENDED CONDUCTOR THICKNESS:
35 MICROMETER OR 50 MICROMETER

FPCについて ABOUT FPC
補強フィルム材質はポリイミドを推奨します。
ベースフィルムは25μmを推奨します。
接着剤は熱硬化接着剤を推奨します。
尚、接着剤の接点部への付着は導通不良の原因になりますので、染み出しが無い様、お願い致します。
RECOMMENDED STIFFENER MATERIAL: POLYIMIDE
RECOMMENDED BASE FILM THICKNESS: 25 MICROMETER
RECOMMENDED ADHESIVE: THERMOSETTING ADHESIVE

NOTE: PLEASE PUT APPROPRIATE AMOUNT OF ADHESIVE ON ADHEREND BECAUSE THERE IS A POSSIBILITY THAT THE EXTRA ADHESIVE CAUSES THE DEFECT IN ELECTRICAL CONTINUITY.

補強板 : ポリイミド
REINFORCE BOARD: POLYIMIDE
熱硬化接着剤
THERMOSETTING ADHESIVE
ベ - スフィルム : ポリイミド(25μm)
BASE FILM: POLYIMIDE(25μm)
熱硬化接着剤
THERMOSETTING ADHESIVE
導体部 : 銅箔 (35μm)
COPPER FOIL (35μm)
熱硬化接着剤
THERMOSETTING ADHESIVE
カバーレイ : ポリイミド (25μm)
COVER FILM: POLYIMIDE(25μm)



FPC構成推奨仕様
STRUCTURE OF FPC

- MISALIGNMENT OF SOLDER TAILS AND FITTING NAILS FROM H
- UPPER DIRECTION : 0.1MAXIMUM
LOWER DIRECTION : 0.15 MAXIMUM.
- 偶数局に適用
APPLY FOR EVEN CIRCUIT.
 - パターンはくり止め用金具
FITTING NAIL FOR PREVENTION OF PEELING OF P.C.B. PATTERN.
 - R0.3はFPCの導体にかからないこと
R0.3 MUST NOT BE OVERLAPED TO PATTERN OF FPC.
 - エンボステープ梱包時は、アクチュエータがロックした状態とする
IN THE PACKAGE, ACTUATOR SHOULD BE LOCKED.
 - ELV及びRoHS適合品
ELV AND RoHS COMPLIANT.

THIS DRAWING CONTAINS INFORMATION THAT IS PROPRIETARY TO MOLEX ELECTRONIC TECHNOLOGIES, LLC AND SHOULD NOT BE USED WITHOUT WRITTEN PERMISSION												
EC NO: 103444 DRWN: ABABU01 CHK'D: YKOBAYASHI02 APPR: TKUSUHARA01	2016/02/18	GENERAL TOLERANCES (UNLESS SPECIFIED)		DIMENSION UNITS	SCALE	<p>0.5MM FPC CONN ZIF R/A HOUSING ASSY (LOWER CONTACT)</p> <p>PRODUCT CUSTOMER DRAWING</p> <p>SERIES: 54132 MATERIAL NUMBER: CUSTOMER: GENERAL</p> <p>DOCUMENT NUMBER: 541321000 DOC TYPE: PSD DOC PART: 000 SHEET NUMBER: 2 OF 2</p>						
	2016/05/23	ANGULAR TOL ± 3.0 °		MM	---							
	2016/05/24	4 PLACES	±	ABABU01	DATE							2016/02/18
		3 PLACES	±	CHK'D BY	DATE							YKOBAYASHI02 2016/05/23
		2 PLACES	± 0.2	APPR BY	DATE							TKUSUHARA01 2016/05/24
	1 PLACE	± 0.2	DRAFT WHERE APPLICABLE MUST REMAIN WITHIN DIMENSIONS	DRAWING SIZE	THIRD ANGLE PROJECTION							
	0 PLACES	± 0.2		A3								