



Chipsmall Limited consists of a professional team with an average of over 10 year of expertise in the distribution of electronic components. Based in Hongkong, we have already established firm and mutual-benefit business relationships with customers from,Europe,America and south Asia,supplying obsolete and hard-to-find components to meet their specific needs.

With the principle of “Quality Parts,Customers Priority,Honest Operation,and Considerate Service”,our business mainly focus on the distribution of electronic components. Line cards we deal with include Microchip,ALPS,ROHM,Xilinx,Pulse,ON,Everlight and Freescale. Main products comprise IC,Modules,Potentiometer,IC Socket,Relay,Connector.Our parts cover such applications as commercial,industrial, and automotives areas.

We are looking forward to setting up business relationship with you and hope to provide you with the best service and solution. Let us make a better world for our industry!



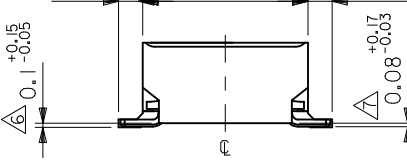
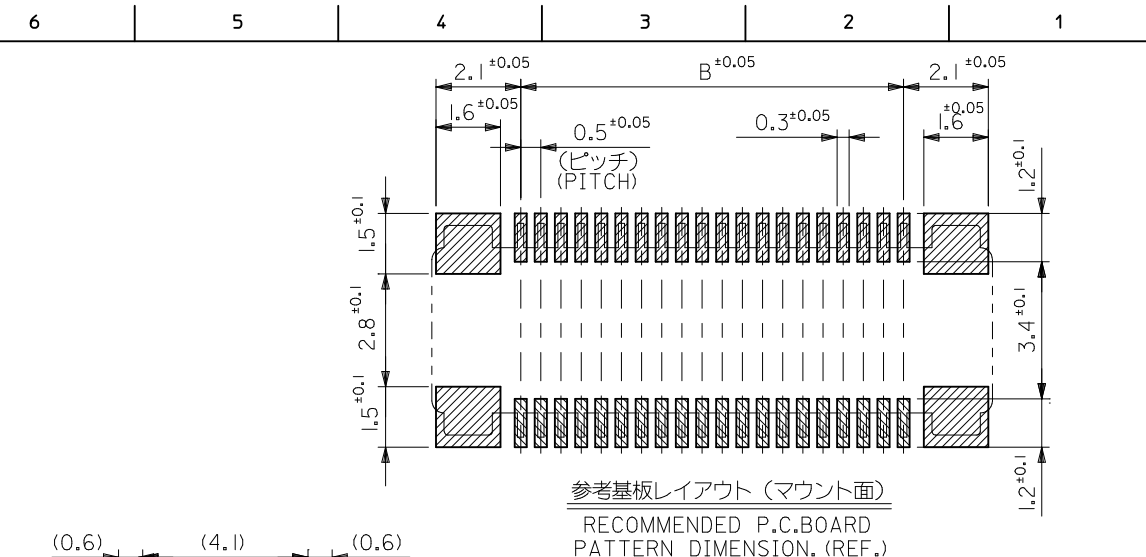
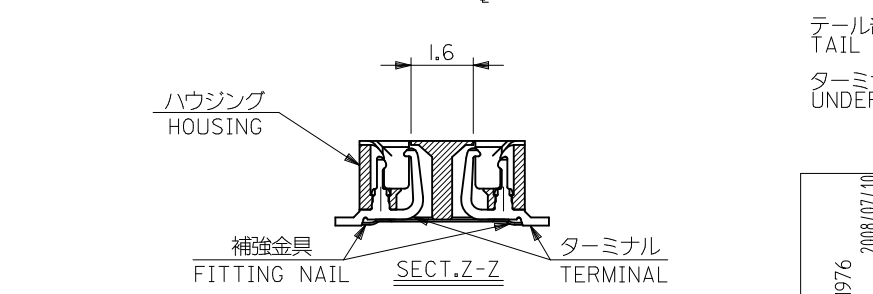
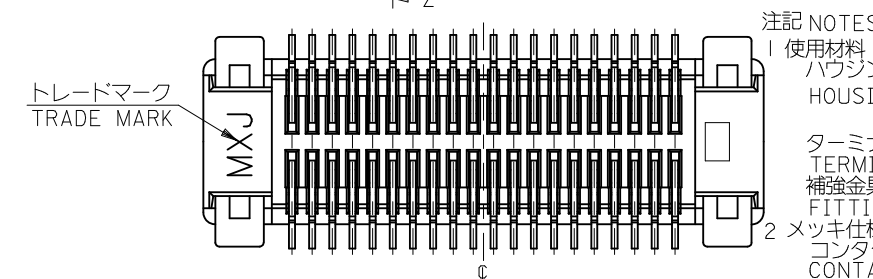
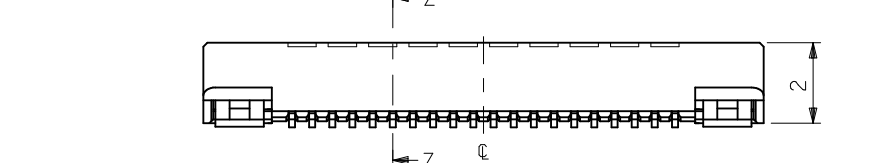
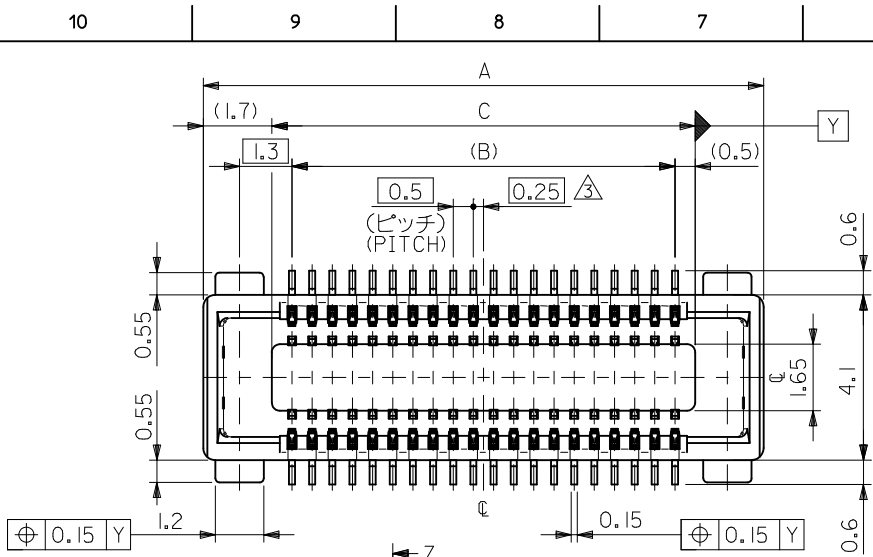
Contact us

Tel: +86-755-8981 8866 Fax: +86-755-8427 6832

Email & Skype: info@chipsmall.com Web: www.chipsmall.com

Address: A1208, Overseas Decoration Building, #122 Zhenhua RD., Futian, Shenzhen, China





参考基板レイアウト (マウント面)
 RECOMMENDED P.C.BOARD
 PATTERN DIMENSION. (REF.)
 (MOUNTING AREA)

- 補強金具 : 錫メッキ
 FITTING NAIL : TIN 1.0 MICROMETER MINIMUM
 補強金具下地メッキ : ニッケルメッキ
 UNDER PLATING : NICKEL (FITTING NAIL)
 1.0 MICROMETER MINIMUM
- △ (全極数/2) = 偶数の場合に適用。
 APPLY FOR (CIRCUIT/2)=EVEN.
 4 嵌合相手 : 53949 シリーズ
 MATE WITH : 53949 SERIES.
 5 テール及びネールの平坦度は、0.1MAX.
 TAIL AND NAIL COPLANARITY TO BE 0.1MAX.
 △ テール部に適用。
 APPLY TO THE TAIL AREA.
 △ ネール部に適用。
 APPLY TO THE NAIL AREA.
 8 本製品は 54150-***I の鉛フリー品である。
 THIS PRODUCT IS LEAD FREE OF 54150-***I.
 9. ELV及びRoHS適合品。
 ELV AND RoHS COMPLIANT.

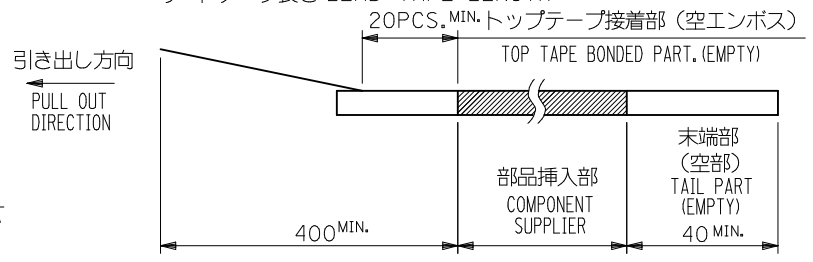
注記 NOTES:
 1 使用材料 MATERIAL
 ハウジング : LCP ガラス充填 UL94V-0 (黒)
 HOUSING : LCP (GLASS FILLED) UL94V-0 (COLOR:BLACK)
 ターミナル : リン青銅 (t=0.15)
 TERMINAL : PHOSPHOR BRONZE (t=0.15)
 補強金具 : リン青銅 (t=0.2)
 FITTING NAIL : PHOSPHOR BRONZE (t=0.2)
 2 メッキ仕様 PLATING
 コンタクト部 : 金メッキ
 CONTACT AREA : GOLD
 テール部 : 金メッキ
 TAIL AREA : GOLD
 ターミナル部下地メッキ : ニッケルメッキ
 UNDER PLATING : NICKEL (TERMINAL AREA)
 0.25 MICROMETER MINIMUM
 0.4 MICROMETER MAXIMUM
 1.5 MICROMETER MINIMUM

| | | | | |
|--------------------------|------|------|------------------|---------|
| 20.5 | 19.5 | 23.9 | 54150-0878 | 80 |
| C | B | A | EMBOSSED TAPE | CIRCUIT |
| | | | ORDER No. オーダー番号 | |
| CONNECTOR No. 54150-**71 | | | | |

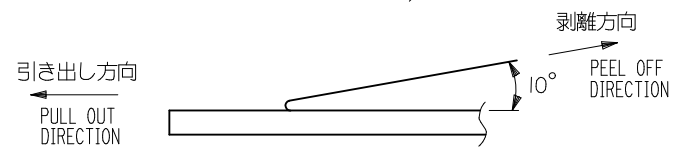
| | | | | | | | | | |
|--|-------------|--|-------|---|-------------------|--|------------------------|------------------------|--|
| REVISED EC NO. J2010-1976 DRWN: MWABEI 2008/07/10 CHKD: MATSUMOTO 2010/06/17 APPR: HIRATA 2010/06/18 | DESCRIPTION | GENERAL TOLERANCES (UNLESS SPECIFIED) | | DIMENSION STYLE MM ONLY | | SCALE --- | DESIGN UNITS METRIC | THIRD ANGLE PROJECTION | |
| | | 10 UNDER | ±0.2 | DRAWN BY H. KAWABATA | DATE '04/03/03 | TITLE 0.5 B-TO-B REC HSG ASSY WITH FITTING NAIL | | | |
| | | 10 OVER 30 UNDER | ±0.25 | CHECKED BY K. TOJO | DATE '04/03/03 | MOLEX INCORPORATED | | | |
| | | 30 OVER | ±0.3 | APPROVED BY M. SASAO | DATE '04/03/03 | | | | |
| A | REV | ANGULAR | ±3 ° | MATERIAL NO. SEE TABLE | | DOCUMENT NO. SD-54150-001 | | SHEET NO. 1 OF 1 | |
| | | DRAFT WHERE APPLICABLE MUST REMAIN WITHIN DIMENSIONS | | THIS DRAWING CONTAINS INFORMATION THAT IS PROPRIETARY TO MOLEX INCORPORATED AND SHOULD NOT BE USED WITHOUT WRITTEN PERMISSION | | | | | |

NOTES

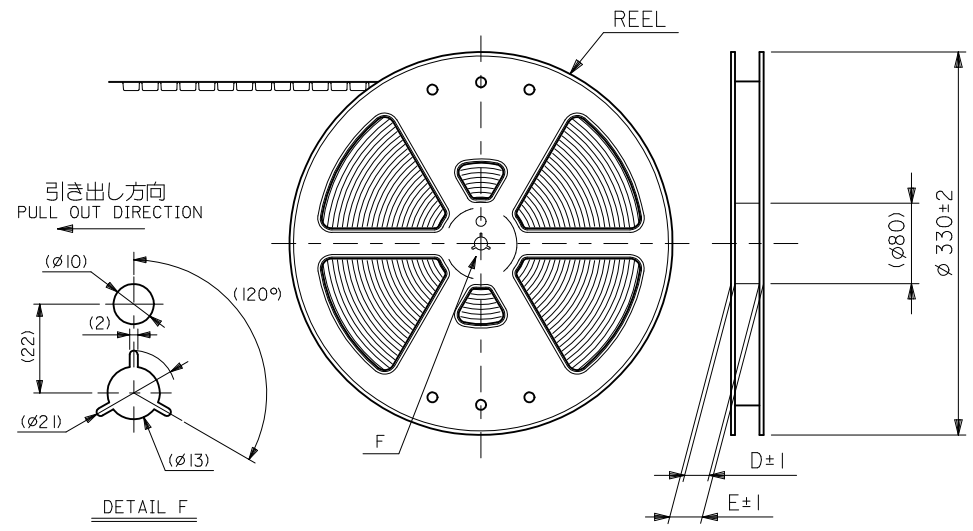
- 製品詳細寸法については図面 SD-54150-001 を参照下さい。
RE DETAILED DIMENSION, SEE SD-54150-001.
- 梱包数量：3000個/リール
NUMBER OF CONNECTORS : 3000PCS/REEL
- リードテープ長さ LEAD TAPE LENGTH



- トップテープの剥離強度：0.1～1.3N {10～130gf}
(剥離方向は下図参照)
尚、本規格値は出荷時に適用。(但し、輸送時に剥離が発生しないこと。)
PEELING OFF FORCE OF TOP TAPE : 0.1～1.3N {10～130gf}
(PEELING DIRECTION AS SHOWN IN FOLLOWING FIG.)
THIS REQUIREMENT SHOULD BE APPLIED AT SHIPMENT.
PEEL OFF SHOULD NOT BE ALLOWED , DURING TRANSPORTATION.

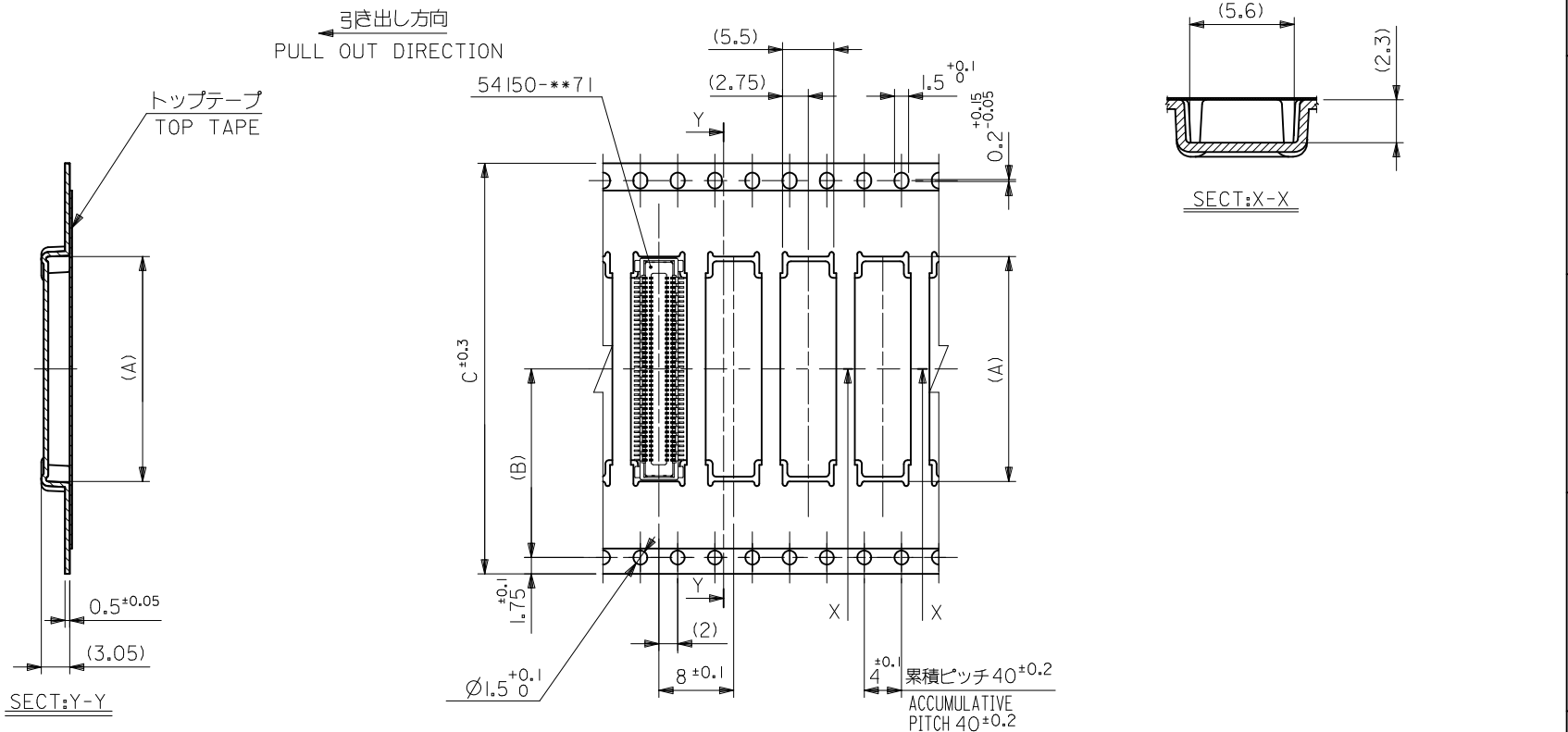


- 材料 (MATERIAL)
キャリアテープ (CARRIER TAPE) : ポリプロピレン (POLYPROPYLENE (PP))
トップテープ (TOP TAPE) : PET, PE, PEF
リール (REEL) : ポリスチレン (P.S) (POLYSTYRENE (PS))
リサイクル材を含む (RECYCLE MATERIAL CONTAINED)
- 本製品は 54150-***8 の鉛フリー品である。
THIS PRODUCT IS LEAD FREE OF 54150-***8.



MODEL NO. 54150-***78

| | | | | | | |
|---|---------------------------------------|------------|----------------------------|--------------|---|---|
| REVISED EC NO: J2010-1271 DRWN: ASUZUKI 2010/05/24 CHKD: HIRATA 2010/05/24 APPR: HIRATA 2010/06/16 REV A | GENERAL TOLERANCES (UNLESS SPECIFIED) | | DIMENSION STYLE MM ONLY | SCALE --- | DESIGN UNITS METRIC | THIRD ANGLE PROJECTION |
| | 10 UNDER | ±--- | DRAWN BY | DATE | TITLE 0.5 B-TO-B CONN REC HSG ASSY W/ NAIL EMBSTP PKG | |
| | 10 OVER 30 UNDER | ±--- | CHECKED BY | DATE | MOLEX INCORPORATED SEE TABLE SD-54150-002 | |
| | 30 OVER | ±--- | APPROVED BY | DATE | | |
| | ANGULAR ±---° | | MATERIAL NO. | DOCUMENT NO. | SHEET NO. | THIS DRAWING CONTAINS INFORMATION THAT IS PROPRIETARY TO MOLEX INCORPORATED AND SHOULD NOT BE USED WITHOUT WRITTEN PERMISSION |
| DRAFT WHERE APPLICABLE MUST REMAIN WITHIN DIMENSIONS | | SIZE A3 | | | | |



44mm幅キャリアテープ
44mm WIDTH CARRIER TAPE

| | | | | | | | | |
|-------------|--------------------------------|------|------|----|------|------|--------------|---------------|
| 54150-***78 | 44 | 49.4 | 45.4 | 44 | 20.2 | 24.1 | 54150-0878 | 80 |
| MODEL NO. | キャリアテープ幅 CARRIER TAPE WIDTH | E | D | C | (B) | (A) | MATERIAL NO. | 極数 CIRCUIT |

| | | | | | | | | | |
|--|---------------------------------------|---|------------------------------|--------------|---|------------------------|--|------------------------|--|
| REVISED EC NO: J2010-1271 DRWN: ASUZUKI 2010/06/02 CHKD: HIRATA 2010/06/02 APPR: HIRATA 2010/06/16 | GENERAL TOLERANCES (UNLESS SPECIFIED) | | DIMENSION STYLE MM ONLY | | SCALE --- | DESIGN UNITS METRIC | | THIRD ANGLE PROJECTION | |
| | 10 UNDER | ±--- | DRAWN BY _____ DATE _____ | | TITLE 0.5 B TO B CONN REC HSG ASSY W/ NAIL EMBSTP PKG | | | | |
| | 10 OVER 30 UNDER | ±--- | CHECKED BY _____ DATE _____ | | | | | | |
| | 30 OVER | ±--- | APPROVED BY _____ DATE _____ | | | | | | |
| ANGULAR ±---° | | MATERIAL NO. | | DOCUMENT NO. | | SHEET NO. | | | |
| DRAFT WHERE APPLICABLE MUST REMAIN WITHIN DIMENSIONS | | SEE TABLE | | SD-54150-002 | | 2 OF 2 | | | |
| SIZE A3 | | THIS DRAWING CONTAINS INFORMATION THAT IS PROPRIETARY TO MOLEX INCORPORATED AND SHOULD NOT BE USED WITHOUT WRITTEN PERMISSION | | | | | | | |