



Chipsmall Limited consists of a professional team with an average of over 10 year of expertise in the distribution of electronic components. Based in Hongkong, we have already established firm and mutual-benefit business relationships with customers from,Europe,America and south Asia,supplying obsolete and hard-to-find components to meet their specific needs.

With the principle of “Quality Parts,Customers Priority,Honest Operation,and Considerate Service”,our business mainly focus on the distribution of electronic components. Line cards we deal with include Microchip,ALPS,ROHM,Xilinx,Pulse,ON,Everlight and Freescale. Main products comprise IC,Modules,Potentiometer,IC Socket,Relay,Connector.Our parts cover such applications as commercial,industrial, and automotives areas.

We are looking forward to setting up business relationship with you and hope to provide you with the best service and solution. Let us make a better world for our industry!



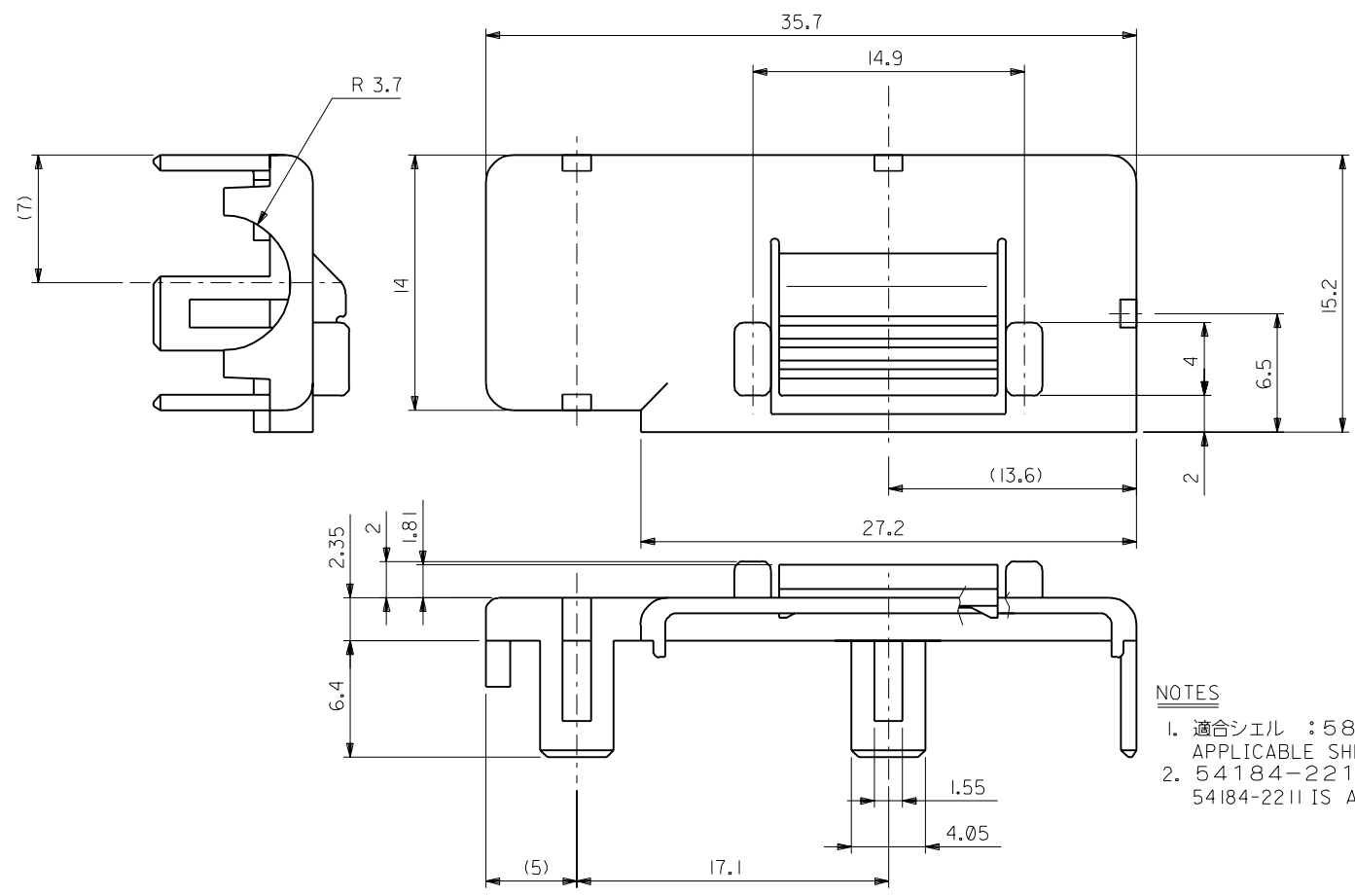
Contact us

Tel: +86-755-8981 8866 Fax: +86-755-8427 6832

Email & Skype: info@chipsmall.com Web: www.chipsmall.com

Address: A1208, Overseas Decoration Building, #122 Zhenhua RD., Futian, Shenzhen, China





NOTES

- 適合シェル : 58306-22**
APPLICABLE SHELL : 58306-22**
- 54184-2211は、SHEET 1 OF 2に適用。
54184-2211 IS APPLIED FOR SHEET 1 OF 2.

54184-2211
ENG.NO.

角度 ANGLE		±3°				材料 MATERIAL		PBTP,UL94V-0 BLACK	
30°以上 OVER		+0.3		B 変更 REVISD (JA2000-0125)		仕上げ FINISH		—	
10°以上 30°未満 UNDER		+0.25		A 変更 REVISD (JA2000-0083)		適用電線範囲 WIRE RANGE		—	
10°未満 UNDER		+0.2		① 新規作成 RELEASED (JA70149)		被覆外径 INS. RANGE		—	
一般公差 GENERAL TOLERANCES		記号 LTR		変更内容 REVISION RECORD		DR. / CHK.		日付 DATE	
						H.K. / T.1		00/6/27	
						H.K. / T.1		00/3/7	
						M.A. / M.O		97/5/20	
						APP'D BY		00/6/27	
						T.KODAMA		尺度 SCALE	
								4-1	

MOLEX-JAPAN CO.,LTD.
 日本モレックス株式会社
REVISE ONLY ON CAD SYSTEM
 TITLE 名称
 2.0 I/O CONN.
 MOLD UPPER COVER(R/A)
 DWG. NO. (SHEET 1 OF 2) REV
 SD-54184-22** B