



Chipsmall Limited consists of a professional team with an average of over 10 year of expertise in the distribution of electronic components. Based in Hongkong, we have already established firm and mutual-benefit business relationships with customers from,Europe,America and south Asia,supplying obsolete and hard-to-find components to meet their specific needs.

With the principle of “Quality Parts,Customers Priority,Honest Operation,and Considerate Service”,our business mainly focus on the distribution of electronic components. Line cards we deal with include Microchip,ALPS,ROHM,Xilinx,Pulse,ON,Everlight and Freescale. Main products comprise IC,Modules,Potentiometer,IC Socket,Relay,Connector.Our parts cover such applications as commercial,industrial, and automotives areas.

We are looking forward to setting up business relationship with you and hope to provide you with the best service and solution. Let us make a better world for our industry!



Contact us

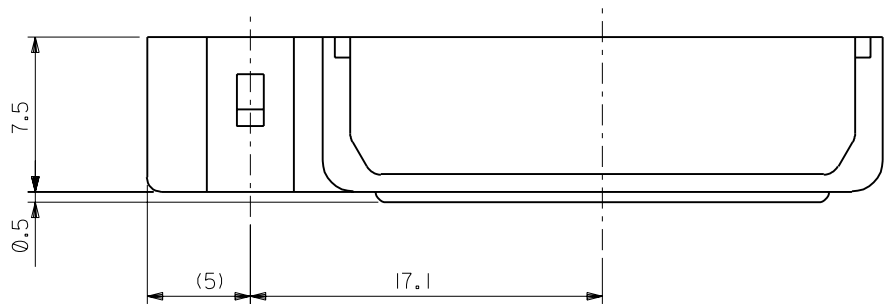
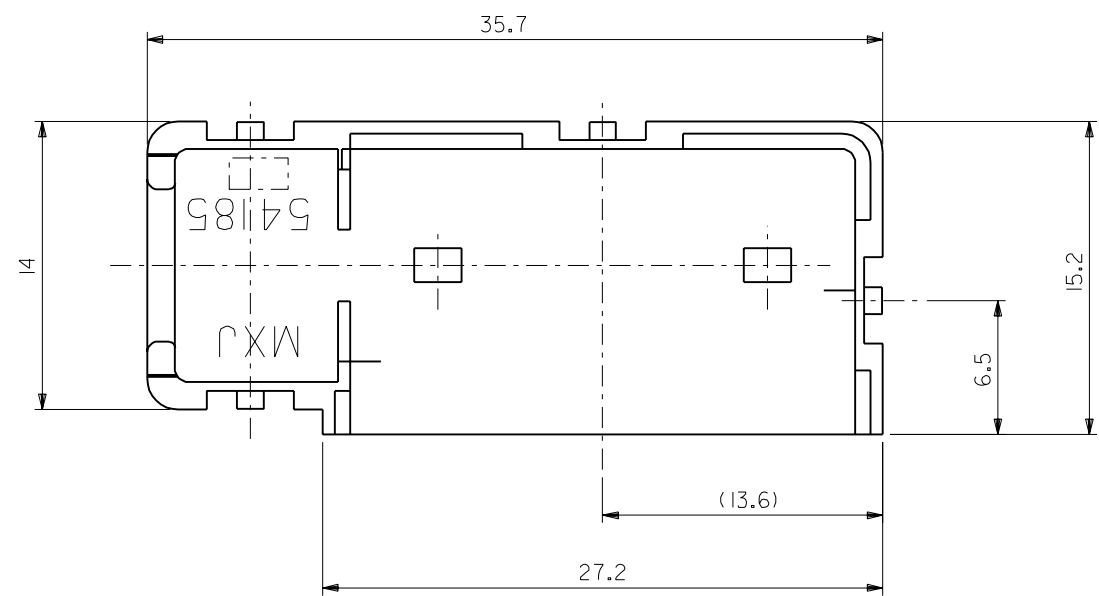
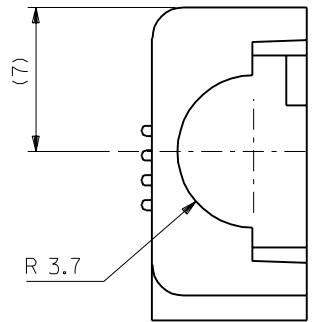
Tel: +86-755-8981 8866 Fax: +86-755-8427 6832

Email & Skype: info@chipsmall.com Web: www.chipsmall.com

Address: A1208, Overseas Decoration Building, #122 Zhenhua RD., Futian, Shenzhen, China



DWG. NO. SD-54185-220*



NOTES

1 適合シエル : 58307-22**
 APPLICABLE SHELL : 58307-22**

54185-2201
 ENG.NO.

角度 ANGLE ±3° 30以上 OVER +0.3 10以上 OVER 30未滿 UNDER +0.25 10未滿 UNDER +0.2		① 新規作成 (JA70149) RELEASED M.A. M.O. 97/5/20		材料 MATERIAL PBTP,UL94V-0 BLACK 仕上げ FINISH —#— 適用電線範囲 WIRE RANGE —#— 被覆外径 INS. RANGE —#—	MOLEX MOLEX-JAPAN CO.,LTD. 日本モレックス株式会社 REVISE ONLY ON CAD SYSTEM TITLE 名称 2.0 I/O CONN. MOLD LOWER COVER(R/A)
一般公差 GENERAL TOLERANCES		記号 LTR	変更内容 REVISION RECORD	DR. CHK. 日付 DATE	APP'D BY 97/5/20 M.ENOMOTO 尺度 SCALE 4-1
				DRAWN BY 97/5/20 M.ASAOKA CHK'D BY 97/5/20 M.OOYA	DWG. NO. SD-54185-220* REV ①

:MM DIMENSIONS IN METRIC DO NOT SCALE DRAWING

54185-2201