



Chipsmall Limited consists of a professional team with an average of over 10 year of expertise in the distribution of electronic components. Based in Hongkong, we have already established firm and mutual-benefit business relationships with customers from,Europe,America and south Asia,supplying obsolete and hard-to-find components to meet their specific needs.

With the principle of “Quality Parts,Customers Priority,Honest Operation,and Considerate Service”,our business mainly focus on the distribution of electronic components. Line cards we deal with include Microchip,ALPS,ROHM,Xilinx,Pulse,ON,Everlight and Freescale. Main products comprise IC,Modules,Potentiometer,IC Socket,Relay,Connector.Our parts cover such applications as commercial,industrial, and automotives areas.

We are looking forward to setting up business relationship with you and hope to provide you with the best service and solution. Let us make a better world for our industry!



## Contact us

Tel: +86-755-8981 8866 Fax: +86-755-8427 6832

Email & Skype: info@chipsmall.com Web: www.chipsmall.com

Address: A1208, Overseas Decoration Building, #122 Zhenhua RD., Futian, Shenzhen, China



DWG. NO. SD-54186-22\*\*

E

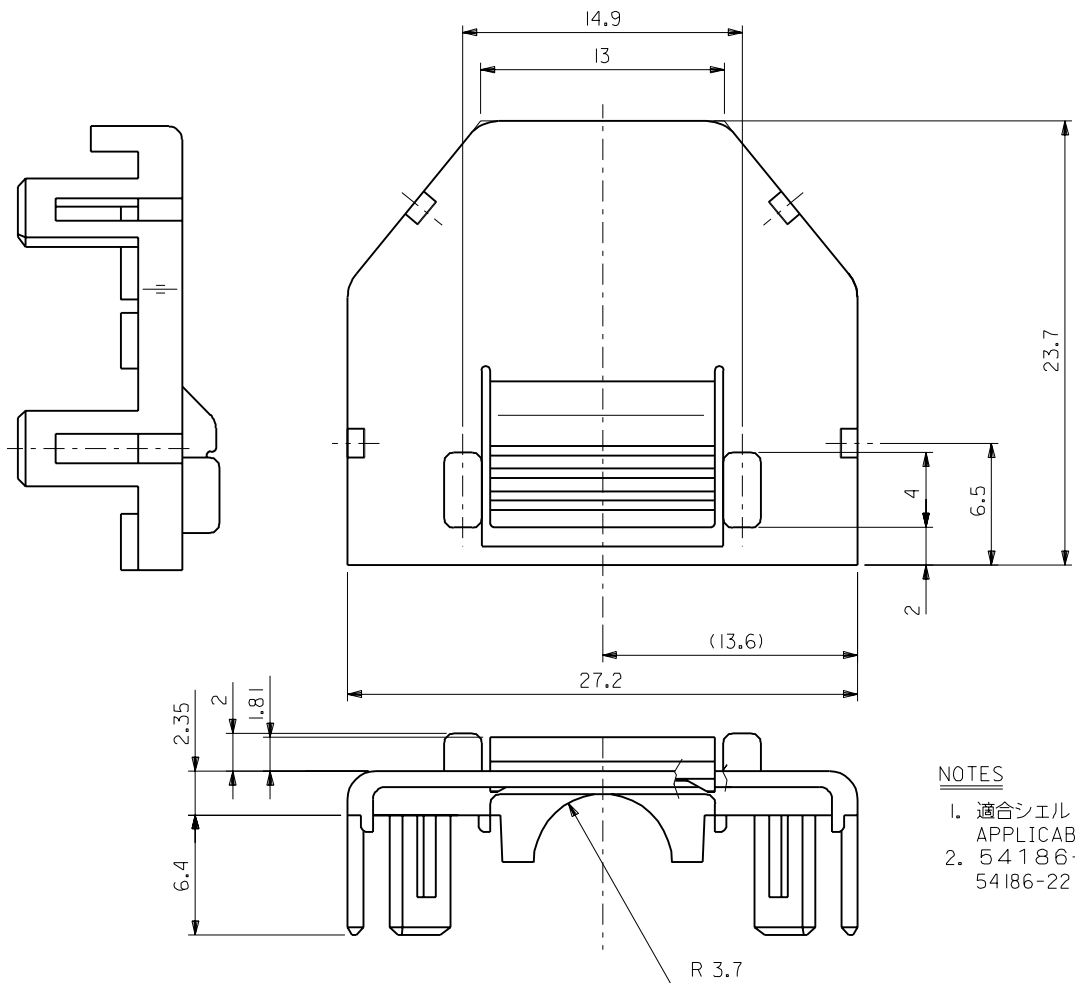
D

C

B

A

MM DIMENSIONS IN METRIC DO NOT SCALE DRAWING



NOTES

- 適合シェル : 58308-22\*\*  
APPLICABLE SHELL : 58308-22\*\*
- 54186-2211は、SHEET 1 OF 2に適用。  
54186-2211 IS APPLIED FOR SHEET 1 OF 2.

54186-2211  
ENG.NO.

材料 MATERIAL		PBTP,UL94V-0 BLACK		molex MOLEX-JAPAN CO.,LTD. 日本モレックス株式会社	
仕上げ FINISH				REVISE ONLY ON CAD SYSTEM	
適用電線範囲 WIRE RANGE		—		TITLE 名称	
被覆外径 INS. RANGE		—		2.0 I/O CONN. MOLD UPPER COVER(ST)	
DRAWN BY		97/5/20 M.ASAOKA		CHK'D BY	
APP'D BY		97/6/27 T.KODAMA		97/6/27 M.LITOH	
尺度 SCALE		4-1		DWG. NO. (SHEET 1 OF 2) REV B	
SD-54186-22**					

角度 ANGLE	公差 TOLERANCE	記号 LTR	変更内容 REVISION RECORD	DR. CHK.	日付 DATE
30° 以上 OVER	+0.3	B	変更 REVISD (JA2000-0125)	H.K.	00/6/27
10° 以上 30° 未満 UNDER	+0.25	A	変更 REVISD (JA2000-0083)	H.K.	00/3/7
10° 未満 UNDER	+0.2	Q	新規作成 RELEASED (JA70149)	M.A.	97/5/20
一般公差 GENERAL TOLERANCES					