



Chipsmall Limited consists of a professional team with an average of over 10 year of expertise in the distribution of electronic components. Based in Hongkong, we have already established firm and mutual-benefit business relationships with customers from,Europe,America and south Asia,supplying obsolete and hard-to-find components to meet their specific needs.

With the principle of “Quality Parts,Customers Priority,Honest Operation,and Considerate Service”,our business mainly focus on the distribution of electronic components. Line cards we deal with include Microchip,ALPS,ROHM,Xilinx,Pulse,ON,Everlight and Freescale. Main products comprise IC,Modules,Potentiometer,IC Socket,Relay,Connector.Our parts cover such applications as commercial,industrial, and automotives areas.

We are looking forward to setting up business relationship with you and hope to provide you with the best service and solution. Let us make a better world for our industry!



## Contact us

Tel: +86-755-8981 8866 Fax: +86-755-8427 6832

Email & Skype: info@chipsmall.com Web: www.chipsmall.com

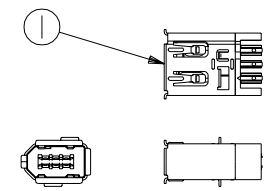
Address: A1208, Overseas Decoration Building, #122 Zhenhua RD., Futian, Shenzhen, China



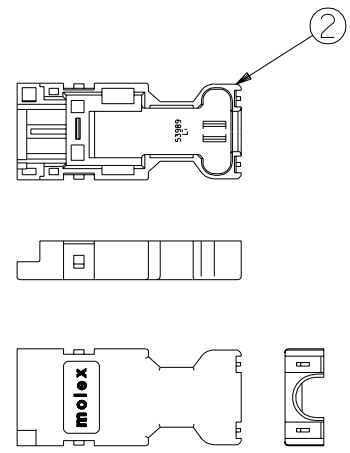
DWG. NO. SD-54280-008

部品構成  
PARTS CONSTRUCTION

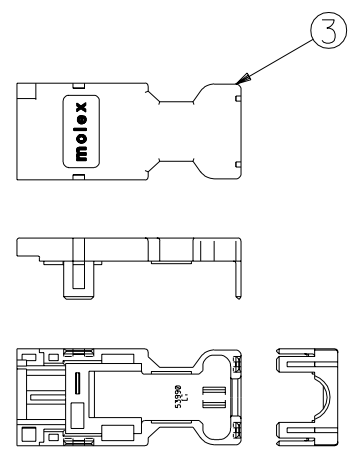
部番 NO.	部品名 PART NAME	製品番号 ENG. NO.	個数 QUAN.	材質 MATERIAL
①	ハウジングアッセンブリ HOUSING ASS'Y	53988-0619	1	ハウジング：ガラス入り耐熱樹脂 UL94V-0 色：黒 HOUSING : G.F. HEAT RESISTANT PLASTIC UL94V-0 COLOR : BLACK ターミナル：りん青銅 t0.3 TERMINAL : PHOSPHOR BRONZE t0.3 メッキ仕様 接点部：ニッケル下地金メッキ PLATING CONTACT AREA : GOLD OVER NICKEL 結線部：ニッケル下地錫メッキ WIRE TERMINATION AREA : TIN OVER NICKEL シエル：りん青銅 t0.4 SHELL : PHOSPHOR BRONZE t0.4 メッキ仕様 ニッケル下地錫メッキ PLATING TIN OVER NICKEL
②	カバー A COVER A	53989-0605	1	ガラス入りポリカーボネイト樹脂 UL94V-0 色：グレー POLYCARBONATE G.F. UL94V-0 COLOR : GRAY
③	カバー B COVER B	53990-0605	1	
④	シエル カバー SHELL COVER	58302-0628	1	鋼 t0.4 STEEL t0.4 メッキ仕様：ニッケル下地、錫メッキ PLATING : NICKEL BASE, TIN PLATING
⑤	ケーブルクランプ CABLE CLAMP	58303-0000	1	ステンレス鋼 STAINLESS STEEL
⑥	十字穴付きなべ小ネジ CROSS RECESSED PAN HEAD MACHINE SCREW	59832-0009	2	黄銅(ネジサイズ：M2X4) BRASS (SCREW SIZE : M2X4)



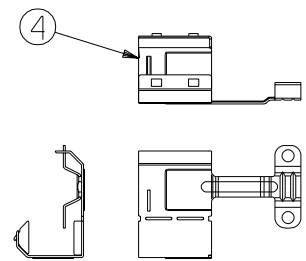
HOUSING ASS'Y



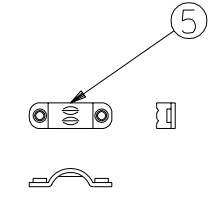
COVER A



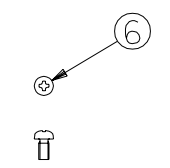
COVER B



SHELL COVER



CABLE CLAMP



SCREW

54280-0609  
MATERIAL No.

角度 ANGLE	±3°	材料 MATERIAL	注参照 SEE NOTES	MOLEX-JAPAN CO.,LTD. 日本モレックス株式会社
30 以上 OVER	+0.3	仕上げ FINISH	注参照 SEE NOTES	
10 以上 OVER 30 未満 UNDER	+0.25	適用電線範囲 WIRE RANGE	— # —	REVISE ONLY ON CAD SYSTEM
10 未満 UNDER	+0.2	被覆外径 INS. RANGE	— # —	TITLE 名称 2.0 mm PITCH I/O CONN.
一般公差 GENERAL TOLERANCES	① 新規作成 (J2004-4290) RELEASED	DRAWN BY '04/05/18 T.UENO	CHK'D BY '04/05/18 M.SASAO	SOCKET SET -LEAD FREE-
記号 LTR	変更内容 REVISION RECORD	DR. CHK. M.S.	日付 DATE '04/05/18	DWG. NO. SD-54280-008
			尺度 SCALE 1-1	REV 0

DIMENSIONS IN METRIC DO NOT SCALE DRAWING

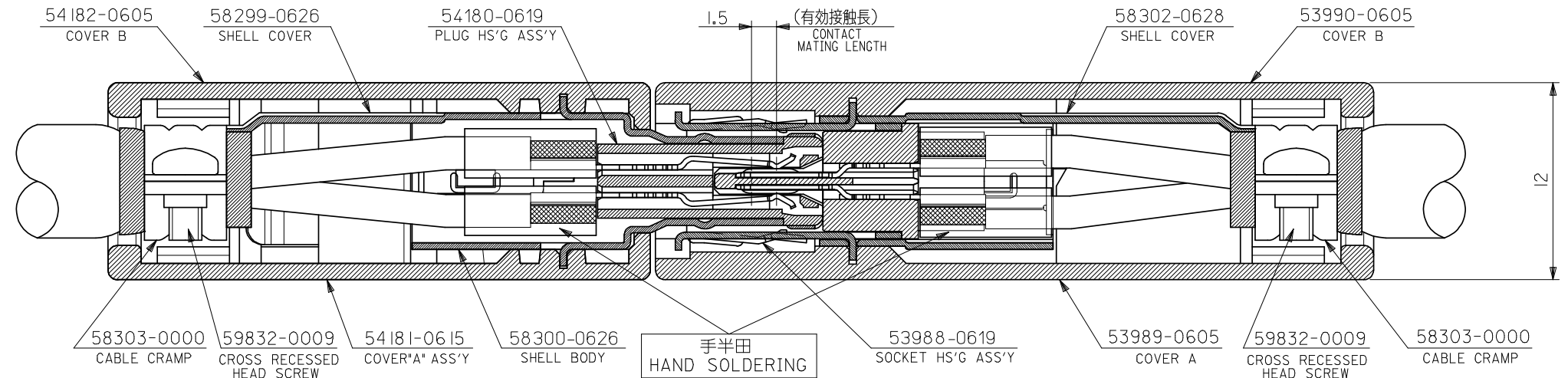
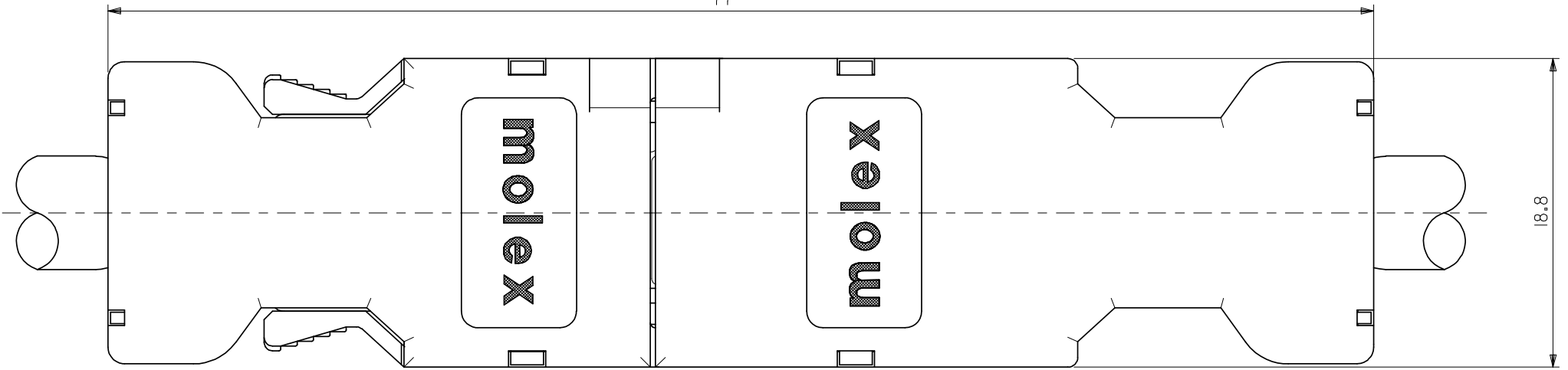
SD-54280-008.S01

プラグ側 (55100-0670)  
PLUG SIDE

ソケット側 (54280-0609)  
SOCKET SIDE

77

18.8



注記  
NOTE

1. 本製品は 55100-0600, 54280-0600 の鉛フリー品である。  
THIS PRODUCT IS LEAD FREE OF 55100-0600 AND 54280-0600.

RELEASED EC NO: J2008-3560 DRWN: NABEI 2008/04/09 CHKD: MISOGAYA 2008/04/10 APPR: NUKITA 2008/04/11 REV 0	GENERAL TOLERANCES (UNLESS SPECIFIED)		DIMENSION STYLE MM ONLY		SCALE 4:1	DESIGN UNITS METRIC	THIRD ANGLE PROJECTION
	10 UNDER	± ---	DRAWN BY M. NABEI	DATE '08/04/07	TITLE 2.0 I/O CONN. CROSS-SECT. VIEW OF MATED CONNECTORS -LEAD FREE-		
	10 OVER 30 UNDER	± ---	CHECKED BY M. ISOGAYA	DATE '08/04/07			
	30 OVER	± ---	APPROVED BY N. UKITA	DATE '08/04/07	MOLEX MOLEX INCORPORATED DOCUMENT NO. SD-54280-011 SHEET NO. 1 OF 1		
	ANGULAR	± --- °	MATERIAL NO. SEE IN FIGURE				
DRAFT WHERE APPLICABLE MUST REMAIN WITHIN DIMENSIONS		SIZE A3		THIS DRAWING CONTAINS INFORMATION THAT IS PROPRIETARY TO MOLEX INCORPORATED AND SHOULD NOT BE USED WITHOUT WRITTEN PERMISSION			