



Chipsmall Limited consists of a professional team with an average of over 10 year of expertise in the distribution of electronic components. Based in Hongkong, we have already established firm and mutual-benefit business relationships with customers from,Europe,America and south Asia,supplying obsolete and hard-to-find components to meet their specific needs.

With the principle of “Quality Parts,Customers Priority,Honest Operation,and Considerate Service”,our business mainly focus on the distribution of electronic components. Line cards we deal with include Microchip,ALPS,ROHM,Xilinx,Pulse,ON,Everlight and Freescale. Main products comprise IC,Modules,Potentiometer,IC Socket,Relay,Connector.Our parts cover such applications as commercial,industrial, and automotives areas.

We are looking forward to setting up business relationship with you and hope to provide you with the best service and solution. Let us make a better world for our industry!



Contact us

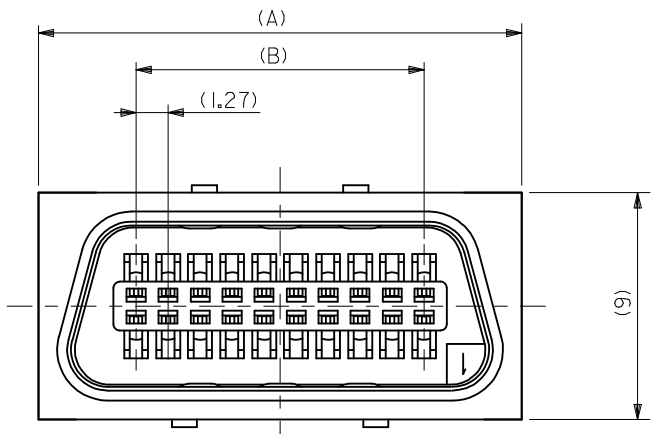
Tel: +86-755-8981 8866 Fax: +86-755-8427 6832

Email & Skype: info@chipsmall.com Web: www.chipsmall.com

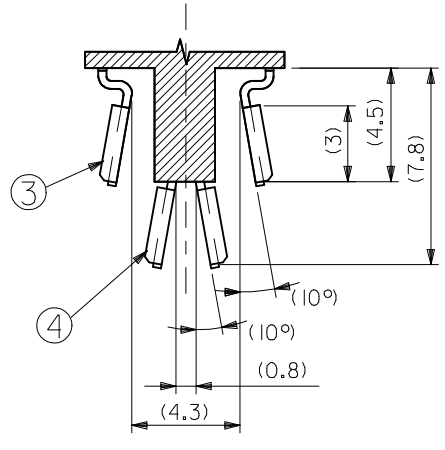
Address: A1208, Overseas Decoration Building, #122 Zhenhua RD., Futian, Shenzhen, China



CONFIDENTIAL



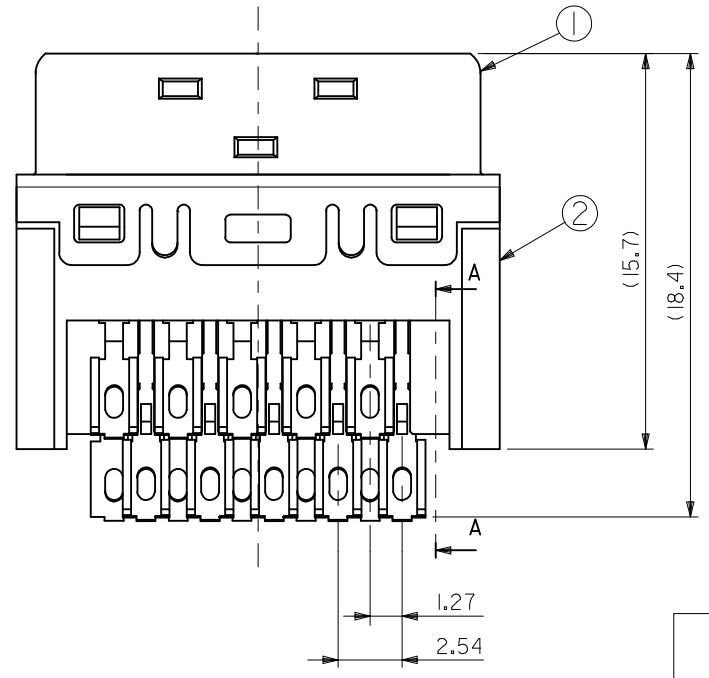
NO.	DESCRIPTION	MATERIAL	FINISH
①	シェル SHELL	鋼 STEEL	ニッケルメッキ NICKEL PLATING
②	ハウジング HOUSING	ポリアミド46 UL94V-0 POLYAMIDE46	色:黒 COLOR:BLACK
③	端子 TERMINAL	りん青銅 PHOSPHOR BRONZE	接点部 CONTACT AREA GOLD:0.3 MICROMETER MIN 半田付け部分 SOLDER TAIL TIN:1.0 MICROMETER MIN
④	端子 TERMINAL		全体下地 UNDER PLATING NICKEL:2.0 MICROMETER MIN



SECTION A-A

30.48	38.23	54306-50 19	50
21.59	29.34	54306-36 19	36
15.24	22.99	54306-26 19	26
11.43	19.3	54306-20 19	20
7.62	15.37	54306-14 19	14

B	A	製品番号 MATERIAL No.	極数 CKT
---	---	----------------------	-----------



REVISED EC NO: J2009-0502 2008/10/07 DRW: NESATO 2009/04/15 CHKD: MATSUMOTO 2009/04/15 APPR: NUKITA 2009/04/15	DESCRIPTION REV	GENERAL TOLERANCES (UNLESS SPECIFIED)		DIMENSION STYLE MM ONLY	SCALE 5:1	DESIGN UNITS METRIC	THIRD ANGLE PROJECTION	
		10 UNDER	±0.2	DRAWN BY T. UENO	DATE 2004/05/19	TITLE 1.27 I/O CONN. PLUG HSG ASSY		
		10 OVER 30 UNDER	±0.25	CHECKED BY M. SASAO	DATE 2004/05/19	MOLEX INCORPORATED		
		30 OVER	±0.3	APPROVED BY M. SASAO	DATE 2004/05/19	DOCUMENT NO. SD-54306-001		
ANGULAR ±3 °		DRAFT WHERE APPLICABLE MUST REMAIN WITHIN DIMENSIONS		MATERIAL NO. SEE CHART		SHEET NO. 1 OF 1		
SIZE A3				THIS DRAWING CONTAINS INFORMATION THAT IS PROPRIETARY TO MOLEX INCORPORATED AND SHOULD NOT BE USED WITHOUT WRITTEN PERMISSION				