



Chipsmall Limited consists of a professional team with an average of over 10 year of expertise in the distribution of electronic components. Based in Hongkong, we have already established firm and mutual-benefit business relationships with customers from,Europe,America and south Asia,supplying obsolete and hard-to-find components to meet their specific needs.

With the principle of “Quality Parts,Customers Priority,Honest Operation,and Considerate Service”,our business mainly focus on the distribution of electronic components. Line cards we deal with include Microchip,ALPS,ROHM,Xilinx,Pulse,ON,Everlight and Freescale. Main products comprise IC,Modules,Potentiometer,IC Socket,Relay,Connector.Our parts cover such applications as commercial,industrial, and automotives areas.

We are looking forward to setting up business relationship with you and hope to provide you with the best service and solution. Let us make a better world for our industry!



## Contact us

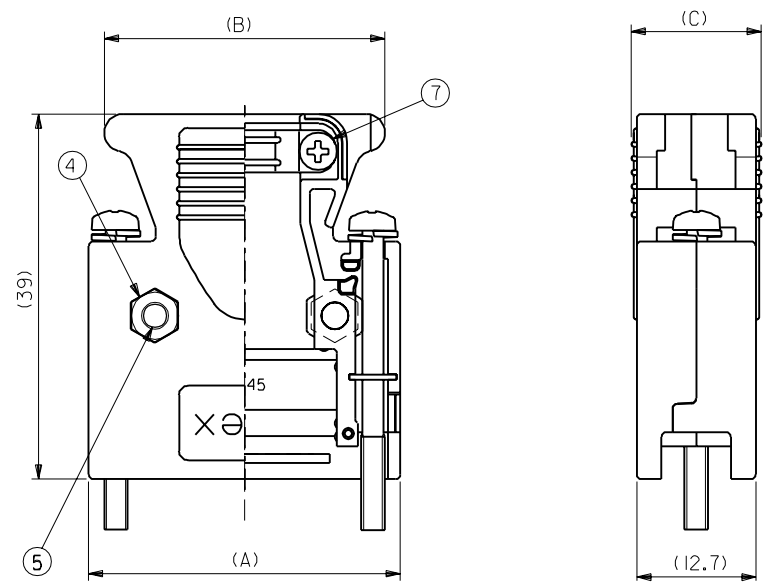
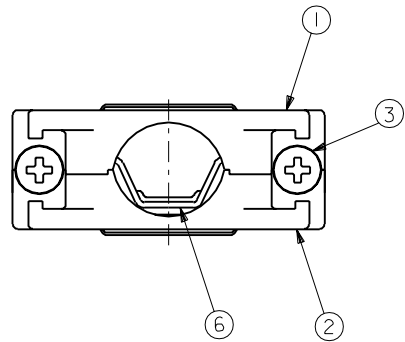
Tel: +86-755-8981 8866 Fax: +86-755-8427 6832

Email & Skype: info@chipsmall.com Web: www.chipsmall.com

Address: A1208, Overseas Decoration Building, #122 Zhenhua RD., Futian, Shenzhen, China



DWG. NO. SD-54331-1\*\*1



20極形状

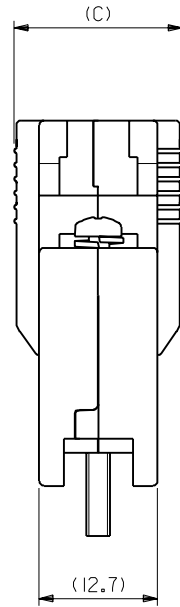
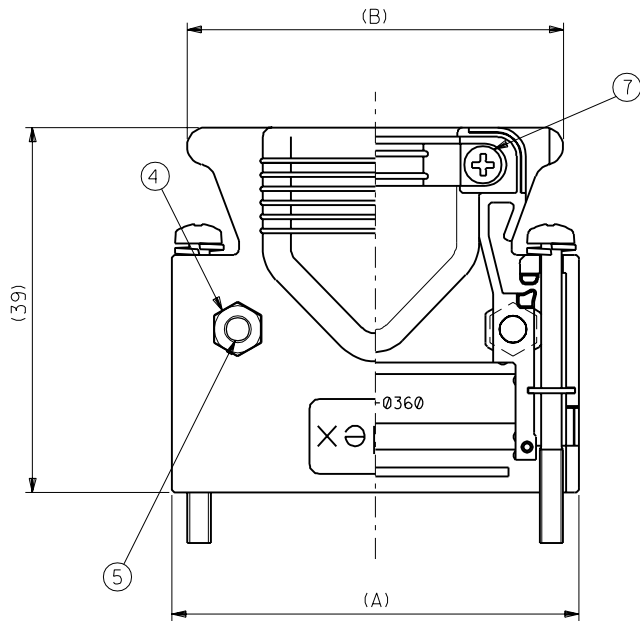
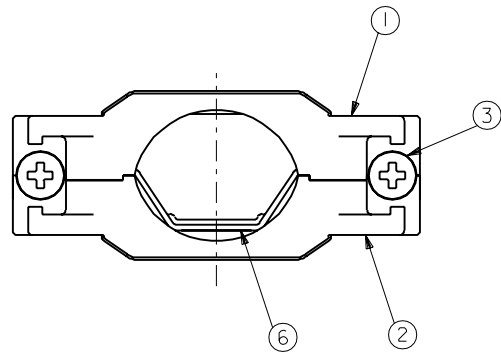
No.	DESCRIPTION	MATERIAL	QUANTITY	NOTES
1	CABLE COVER (A)	ALUMINUM DIE CAST	1	
2	CABLE COVER (B)	ALUMINUM DIE CAST	1	
3	CROSS RECESSED HEAD SCREW	STEEL	2	M2.5X3.1
4	HEXAGON NUT	STEEL	2	M2.5
5	CROSS RECESSED HEAD SCREW	STEEL	2	M2.5X10
6	CRAMP	SPCC-SD	1	+0.6
7	CROSS RECESSED HEAD SCREW	STEEL	2	M2X6

注)  
NOTE.

- 1. ねじ締め付けトルク： ケース用 (M2.5x10) : 5~5.5Kgf・cm  
Recommended screw tightening torque (For case ass'y)
- ケーブルクランプ用 (M2x6) : 3~3.5Kgf・cm  
(For cable clamp)
- リセプタクル固定用 (M2.5x3.1) : 3~3.5Kgf・cm  
(For fixed with receptacle conn.)

Ø 12 MAX.	13.9	33.81	37.11	54331-1261	26
	13.9	30	33.3	54331-1201	20
ケーブル外覆仕上り径 CABLE DIA.	C	B	A	ENG.No.	CKT

<table border="1"> <tr> <td>角度 ANGLE</td> <td>+3°</td> </tr> <tr> <td>30°以上 OVER</td> <td>+0.3</td> </tr> <tr> <td>10°以上 30°未満 UNDER</td> <td>+0.25</td> </tr> <tr> <td>10°未満 UNDER</td> <td>+0.2</td> </tr> </table>		角度 ANGLE	+3°	30°以上 OVER	+0.3	10°以上 30°未満 UNDER	+0.25	10°未満 UNDER	+0.2	<table border="1"> <tr> <th>記号 LTR</th> <th>変更内容 REVISION RECORD</th> <th>DR. CHK.</th> <th>日付 DATE</th> </tr> <tr> <td>F</td> <td>変更 (JD2000-0271)</td> <td>H.T. S.I.</td> <td>99/09/16</td> </tr> <tr> <td>E</td> <td>変更 (JD91457)</td> <td>H.T. Y.I.</td> <td>99/05/10</td> </tr> <tr> <td>D</td> <td>変更 (JD90929)</td> <td>M.Y. Y.I.</td> <td>99/01/08</td> </tr> <tr> <td>C</td> <td>変更 (JD90890)</td> <td>Y.K. Y.I.</td> <td>98/12/24</td> </tr> <tr> <td>B</td> <td>変更 (JD90736)</td> <td>H.T. Y.I.</td> <td>98/11/26</td> </tr> <tr> <td>A</td> <td>変更 (JD90537)</td> <td>Y.K. Y.I.</td> <td>98/10/13</td> </tr> <tr> <td>0</td> <td>新規作成 (JD90244)</td> <td>Y.K. Y.I.</td> <td>98/08/21</td> </tr> </table>		記号 LTR	変更内容 REVISION RECORD	DR. CHK.	日付 DATE	F	変更 (JD2000-0271)	H.T. S.I.	99/09/16	E	変更 (JD91457)	H.T. Y.I.	99/05/10	D	変更 (JD90929)	M.Y. Y.I.	99/01/08	C	変更 (JD90890)	Y.K. Y.I.	98/12/24	B	変更 (JD90736)	H.T. Y.I.	98/11/26	A	変更 (JD90537)	Y.K. Y.I.	98/10/13	0	新規作成 (JD90244)	Y.K. Y.I.	98/08/21	<table border="1"> <tr> <td>材料 MATERIAL</td> <td>SEE TABLE</td> </tr> <tr> <td>仕上げ FINISH</td> <td>—</td> </tr> <tr> <td>適用電線範囲 WIRE RANGE</td> <td>—</td> </tr> <tr> <td>被覆外径 INS. RANGE</td> <td>—</td> </tr> <tr> <td>DRAWN BY</td> <td>Y.KAWASAKI</td> </tr> <tr> <td>CHK'D BY</td> <td>Y.D.G.</td> </tr> <tr> <td>APP'D BY</td> <td>Y.D.G.</td> </tr> <tr> <td>尺 度 SCALE</td> <td>2-1</td> </tr> </table>		材料 MATERIAL	SEE TABLE	仕上げ FINISH	—	適用電線範囲 WIRE RANGE	—	被覆外径 INS. RANGE	—	DRAWN BY	Y.KAWASAKI	CHK'D BY	Y.D.G.	APP'D BY	Y.D.G.	尺 度 SCALE	2-1	<table border="1"> <tr> <td colspan="2">MATERIAL</td> <td colspan="2">SEE TABLE</td> </tr> <tr> <td colspan="4">  MOLEX-JAPAN CO.,LTD. 日本モレックス株式会社         </td> </tr> <tr> <td colspan="4">REVISE ONLY ON CAD SYSTEM</td> </tr> <tr> <td colspan="4">TITLE 名称</td> </tr> <tr> <td colspan="4">1.27mm PITCH I/O CONN</td> </tr> <tr> <td colspan="4">CABLE HS'G ASS'Y</td> </tr> <tr> <td>DWG. NO.</td> <td>SD-54331-1**1</td> <td>REV</td> <td>F</td> </tr> <tr> <td colspan="2">(SHEET 1 OF 2)</td> <td colspan="2"></td> </tr> </table>		MATERIAL		SEE TABLE		MOLEX-JAPAN CO.,LTD. 日本モレックス株式会社				REVISE ONLY ON CAD SYSTEM				TITLE 名称				1.27mm PITCH I/O CONN				CABLE HS'G ASS'Y				DWG. NO.	SD-54331-1**1	REV	F	(SHEET 1 OF 2)			
角度 ANGLE	+3°																																																																																														
30°以上 OVER	+0.3																																																																																														
10°以上 30°未満 UNDER	+0.25																																																																																														
10°未満 UNDER	+0.2																																																																																														
記号 LTR	変更内容 REVISION RECORD	DR. CHK.	日付 DATE																																																																																												
F	変更 (JD2000-0271)	H.T. S.I.	99/09/16																																																																																												
E	変更 (JD91457)	H.T. Y.I.	99/05/10																																																																																												
D	変更 (JD90929)	M.Y. Y.I.	99/01/08																																																																																												
C	変更 (JD90890)	Y.K. Y.I.	98/12/24																																																																																												
B	変更 (JD90736)	H.T. Y.I.	98/11/26																																																																																												
A	変更 (JD90537)	Y.K. Y.I.	98/10/13																																																																																												
0	新規作成 (JD90244)	Y.K. Y.I.	98/08/21																																																																																												
材料 MATERIAL	SEE TABLE																																																																																														
仕上げ FINISH	—																																																																																														
適用電線範囲 WIRE RANGE	—																																																																																														
被覆外径 INS. RANGE	—																																																																																														
DRAWN BY	Y.KAWASAKI																																																																																														
CHK'D BY	Y.D.G.																																																																																														
APP'D BY	Y.D.G.																																																																																														
尺 度 SCALE	2-1																																																																																														
MATERIAL		SEE TABLE																																																																																													
MOLEX-JAPAN CO.,LTD. 日本モレックス株式会社																																																																																															
REVISE ONLY ON CAD SYSTEM																																																																																															
TITLE 名称																																																																																															
1.27mm PITCH I/O CONN																																																																																															
CABLE HS'G ASS'Y																																																																																															
DWG. NO.	SD-54331-1**1	REV	F																																																																																												
(SHEET 1 OF 2)																																																																																															



36極形状

No.	DESCRIPTION	MATERIAL	QUANTITY	NOTES
1	CABLE COVER (A)	ALUMINUM DIE CAST	1	
2	CABLE COVER (B)	ALUMINUM DIE CAST	1	
3	CROSS RECESSED HEAD SCREW	STEEL	2	M2.5X3.1
4	HEXAGON NUT	STEEL	2	M2.5
5	CROSS RECESSED HEAD SCREW	STEEL	2	M2.5X10
6	CRAMP	SPCC-SD	1	t=0.6
7	CROSS RECESSED HEAD SCREW	STEEL	2	M2X6

注)  
NOTE.

- 1. ねじ締め付けたトルク : ケース用 (M2.5x10) : 5~5.5Kg $\cdot$ cm  
Recommended screw (For case ass'y) tightening torque
- ケーブルクランプ用 (M2x6) : 3~3.5Kg $\cdot$ cm  
(For cable clamp)
- リセプタクル固定用 (M2.5x3.1) : 3~3.5Kg $\cdot$ cm  
(For fixed with receptacle conn.)

Ø16 MAX.	18.0	49.05	52.35	54331-1501	50
	18.0	40.16	43.46	54331-1361	36
ケーブル外覆仕上り径 CABLE DIA.	C	B	A	ENG.No.	CKT

角度 ANGLE	±3°					材料 MATERIAL	SEE TABLE	MOLEX-JAPAN CO.,LTD. 日本モレックス株式会社	
30以上 OVER	+0.3					仕上げ FINISH	— # —		REVISE ONLY ON CAD SYSTEM
10以上 OVER 30未満 UNDER	+0.25					適用電線範囲 WIRE RANGE	— # —		TITLE 名称
10未満 UNDER	+0.2					被覆外径 INS. RANGE	— # —		1.27mm PITCH I/Ø CONN CABLE HS'G ASS'Y
一般公差 GENERAL TOLERANCES	記号 LTR	変更内容 REVISION RECORD	DR. CHK.	日付 DATE	APP'D BY	SCALE	2-1	DWG. NO. SD-54331-1**1	
	0	新規作成 (JD90244) RELEASED	Y.K. Y-1	98/08/21	Y. KAWASAKI	尺 寸	2-1	(SHEET 2 OF 2)	