



Chipsmall Limited consists of a professional team with an average of over 10 year of expertise in the distribution of electronic components. Based in Hongkong, we have already established firm and mutual-benefit business relationships with customers from,Europe,America and south Asia,supplying obsolete and hard-to-find components to meet their specific needs.

With the principle of “Quality Parts,Customers Priority,Honest Operation,and Considerate Service”,our business mainly focus on the distribution of electronic components. Line cards we deal with include Microchip,ALPS,ROHM,Xilinx,Pulse,ON,Everlight and Freescale. Main products comprise IC,Modules,Potentiometer,IC Socket,Relay,Connector.Our parts cover such applications as commercial,industrial, and automotives areas.

We are looking forward to setting up business relationship with you and hope to provide you with the best service and solution. Let us make a better world for our industry!



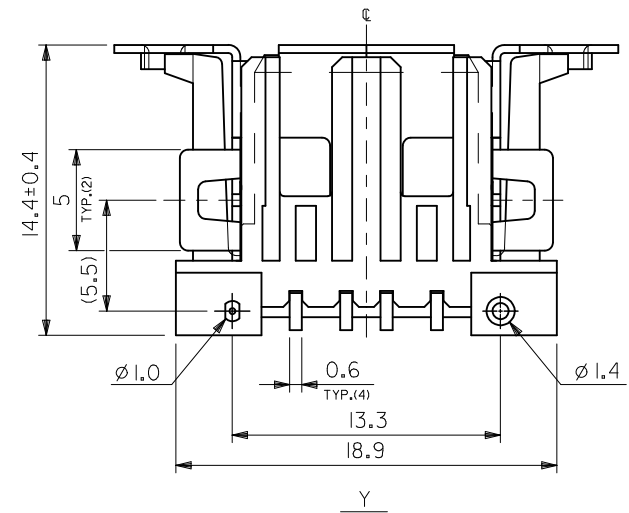
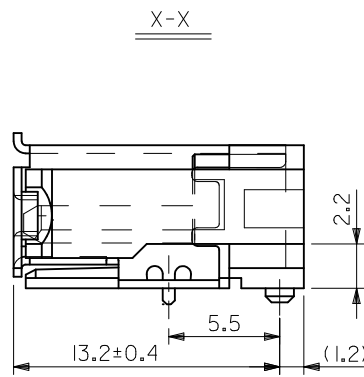
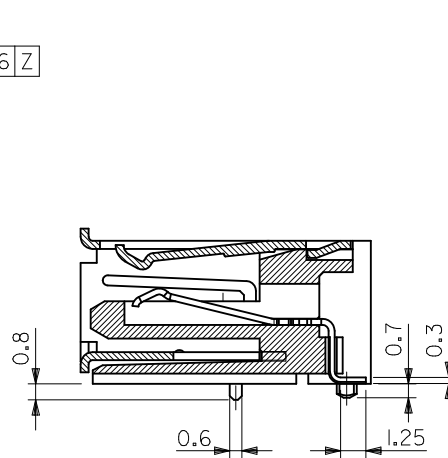
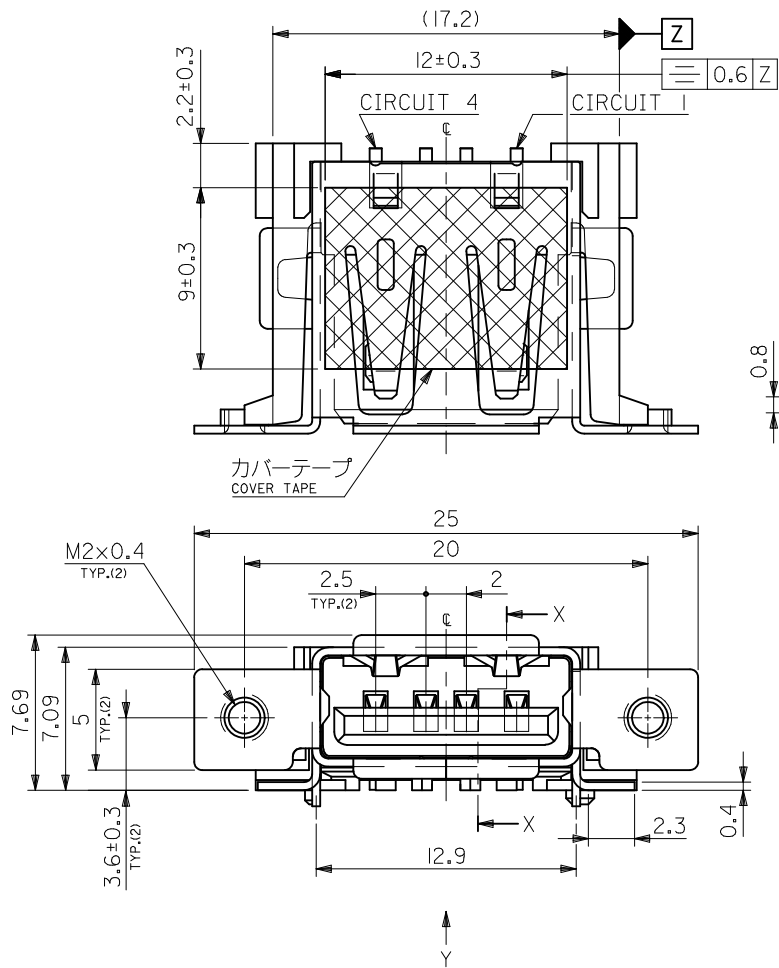
Contact us

Tel: +86-755-8981 8866 Fax: +86-755-8427 6832

Email & Skype: info@chipsmall.com Web: www.chipsmall.com

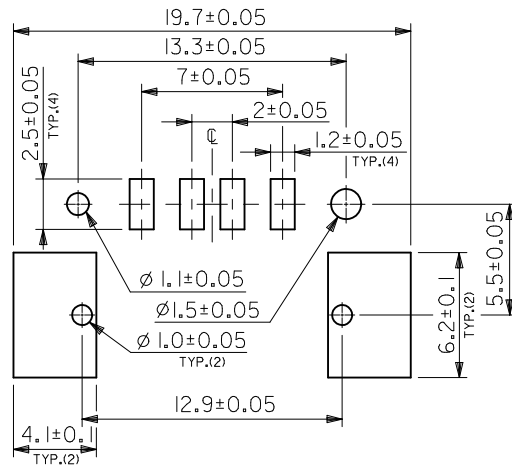
Address: A1208, Overseas Decoration Building, #122 Zhenhua RD., Futian, Shenzhen, China



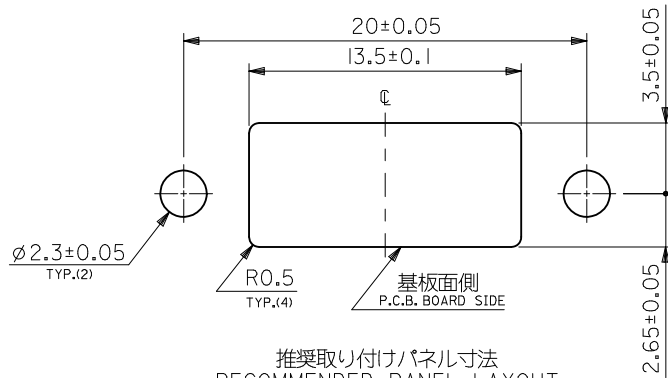


MODEL NO. 54366-***19

REVISED EC NO: J2011-0208 DRWN: TENAGASE 2010/08/06 CHKD: CHIKANO 2010/08/06 APPR: MYAGI 2010/09/03	GENERAL TOLERANCES (UNLESS SPECIFIED)		DIMENSION STYLE MM ONLY		SCALE --- METRIC		DESIGN UNITS METRIC		THIRD ANGLE PROJECTION	
	10 UNDER ±0.2		DRAWN BY DATE		TITLE USB I/O CONN. (SIDE FLANGE REVERSE SMT TYPE) -LEAD FREE-					
	10 OVER 30 UNDER ±0.25		CHECKED BY DATE MSASAO 2004/03/24		MOLEX INCORPORATED					
	30 OVER ±0.3		APPROVED BY DATE		MATERIAL NO. 54366-0419		DOCUMENT NO. SD-54366-007		SHEET NO. 1 OF 2	
ANGULAR ±3 °		DRAFT WHERE APPLICABLE MUST REMAIN WITHIN DIMENSIONS		THIS DRAWING CONTAINS INFORMATION THAT IS PROPRIETARY TO MOLEX INCORPORATED AND SHOULD NOT BE USED WITHOUT WRITTEN PERMISSION						
REV A				SIZE A3						



推奨基板寸法
RECOMMENDED PCB LAYOUT



推奨取り付けパネル寸法
RECOMMENDED PANEL LAYOUT

注記
NOTES:

1. 材質
MATERIAL
ハウジング : PA(ホリアミド) 、ガラス充填
白色、UL94V-0
HOUSING : PA (POLYNONAMETHYLENE TEREPHTHALAMIDE)
,GLASS FILLED,WHITE,UL94V-0

ターミナル : 燐青銅 (t=0.3)
TERMINAL : PHOSPHOR BRONZE(t=0.3)
シェル : 黄銅 (t=0.4)
SHELL : BRASS(t=0.4)
2. メッキ仕様
PLATING
ターミナル
TERMINAL
接点部 : 金メッキ 最小0.75マイクロメートル
CONTACT AREA:GOLD 0.75 MICROMETER MINIMUM
半田付け部 : 錫メッキ 最小1.0マイクロメートル
SOLDER TAIL AREA:TIN 1.0 MICROMETER MINIMUM
下地メッキ : ニッケルメッキ 最小1.25マイクロメートル
UNDER PLATING:NICKEL 1.25 MICROMETER MINIMUM
シェル : 錫メッキ 最小1.0マイクロメートル
SHELL:TIN 1.0 MICROMETER MINIMUM
下地メッキ : ニッケルメッキ 最小2.0マイクロメートル
UNDER PLATING:NICKEL 2.0 MICROMETER MINIMUM
3. テール平坦度は、最大0.1ミリメートル
TAIL COPLANARITY TO BE 0.1MMAXIMUM
4. 本製品は54366-***12の鉛フリー品である。
THIS PRODUCT IS LEAD FREE OF 54366-***12.

MODEL NO. 54366-***19

REVISED EC NO: J2011-0208 DRWN: TENAGASE 2010/08/06 CHKD: CHIKANO 2010/08/06 APPR: MYAGI 2010/09/03	GENERAL TOLERANCES (UNLESS SPECIFIED)		DIMENSION STYLE MM ONLY	SCALE ---	DESIGN UNITS METRIC	THIRD ANGLE PROJECTION	
	10 UNDER	±0.2	DRAWN BY DATE	TITLE USB I/O CONN. (SIDE FLANGE REVERSE SMT TYPE) -LEAD FREE-			
	10 OVER 30 UNDER	±0.25	CHECKED BY MSASAO	DATE 2004/03/24	MOLEX INCORPORATED		
	30 OVER	±0.3	APPROVED BY	DATE	MATERIAL NO. 54366-0419	DOCUMENT NO. SD-54366-007	SHEET NO. 2 OF 2
A	DESCRIPTION ANGULAR ±3 ° DRAFT WHERE APPLICABLE MUST REMAIN WITHIN DIMENSIONS	THIS DRAWING CONTAINS INFORMATION THAT IS PROPRIETARY TO MOLEX INCORPORATED AND SHOULD NOT BE USED WITHOUT WRITTEN PERMISSION					

