



Chipsmall Limited consists of a professional team with an average of over 10 year of expertise in the distribution of electronic components. Based in Hongkong, we have already established firm and mutual-benefit business relationships with customers from,Europe,America and south Asia,supplying obsolete and hard-to-find components to meet their specific needs.

With the principle of “Quality Parts,Customers Priority,Honest Operation,and Considerate Service”,our business mainly focus on the distribution of electronic components. Line cards we deal with include Microchip,ALPS,ROHM,Xilinx,Pulse,ON,Everlight and Freescale. Main products comprise IC,Modules,Potentiometer,IC Socket,Relay,Connector.Our parts cover such applications as commercial,industrial, and automotives areas.

We are looking forward to setting up business relationship with you and hope to provide you with the best service and solution. Let us make a better world for our industry!



## Contact us

Tel: +86-755-8981 8866 Fax: +86-755-8427 6832

Email & Skype: info@chipsmall.com Web: www.chipsmall.com

Address: A1208, Overseas Decoration Building, #122 Zhenhua RD., Futian, Shenzhen, China



DWG. NO. SD-54393-017

F

E

D

C

B

DO NOT SCALE DRAWING

8

7

6

5

4

3

2

1

F

E

D

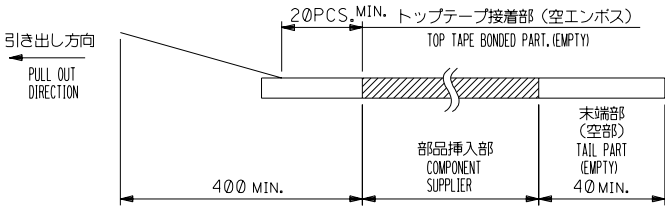
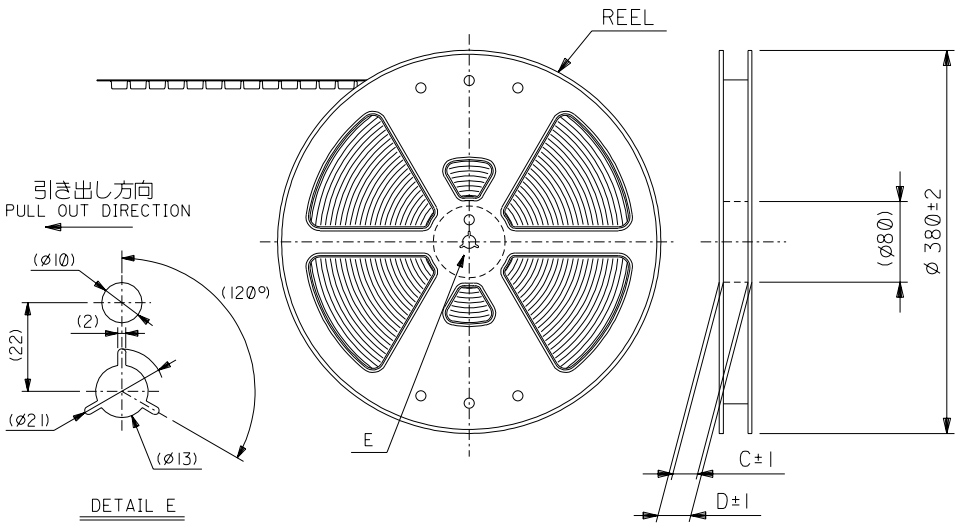
C

B

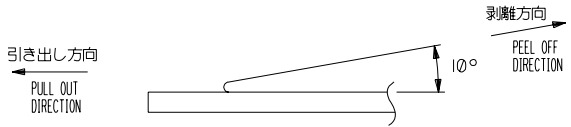
SD-54393-017.S01

注記 NOTES

- 製品詳細寸法については、図面SD-54393-022を参照下さい。  
RE DETAILED DIMENSION, SEE SD-54393-022.
- 梱包数量：2000個/リール  
NUMBER OF CONNECTORS : 2000PCS/REEL
- リードテープ長さ LEAD TAPE LENGTH



- トップテープの剥離強度：0.1N~1.3N {10gf~130gf}  
(剥離方向は下図参照)  
尚、本規格値は出荷時に適用。(但し、輸送時に剥離が発生しないこと。)  
PEELING OFF FORCE OF TOP TAPE : 0.1N ~ 1.3N {10gf ~ 130gf}  
(PEELING DIRECTION AS SHOWN IN FOLLOWING FIG,)  
THIS REQUIREMENT SHOULD BE APPLIED AT SHIPMENT.  
PEEL OFF SHOULD NOT BE ALLOWED, DURING TRANSPORTATION.



- 材料 (MATERIAL)  
キャリアテープ (CARRIER TAPE) : ポリプロピレン (POLYPROPYLENE)  
トップテープ (TOP TAPE) : PET, PE, PEF  
リール (REEL) : ポリスチレン (PS) <リサイクル材を含む>  
POLYSTYREN (PS) <RECYCLE MATERIAL CONTAINED>
- 本製品は54393-\*\*92の鉛フリー品です。  
THIS PRODUCT IS LEAD FREE OF 54393-\*\*92

EC NO. DRWN: CHK: APPR:		EC NO. DRWN: CHK: APPR:		EC NO. DRWN: CHK: APPR:		REVISED EC NO. J2004-2846 DRWN:MINOMIYA '04/03/03 CHK: K.TOUJO '04/03/03 APPR:M.SASAO '04/03/03		RELEASED EC NO. J2004-1672 DRWN:T.UENO '03/12/22 CHK: M.SASAO '03/12/22 APPR:M.SASAO '03/12/22		MATERIAL 材料 注記参照 SEE NOTES		GENERAL TOLERANCES: (UNLESS SPECIFIED) 一般公差		54393-**82 SCALE: --// DESIGN UNITS: <input checked="" type="checkbox"/> mm <input type="checkbox"/> INCH		MODEL NO. THIRD ANGLE PROJECTION		DIMENSIONS: <input type="checkbox"/> mm <input type="checkbox"/> INCH <input checked="" type="checkbox"/> mm ONLY		SHT REVISE ON CAD ONLY	
A		0		//		//		//		//		10 UNDER 未満 ±0.2		DRAWN BY & DATE T.UENO '03/12/22		TITLE: 0.3 FPC Conn (Easy on) Hsg Assy Embstp Pkg -LEAD FREE-					
												10 OVER 30 UNDER 未満 ±0.25		CHECKED BY & DATE M.SASAO '03/12/22		MOLEX MOLEX INCORPORATED					
												30 OVER 以上 ±0.3		APPROVED BY & DATE M.SASAO '03/12/22							
												ANGLE 角度 ±3°		CAD FILENAME SD-54393-017.S01		MATERIAL NO. SEE CHART		DRAWING NO. SD-54393-017		SHEET NO. 1 OF 4	
														THIS DRAWING CONTAINS INFORMATION THAT IS PROPRIETARY TO MOLEX INCORPORATED AND SHOULD NOT BE USED WITHOUT WRITTEN PERMISSION.				SIZE B			

8

7

6

5

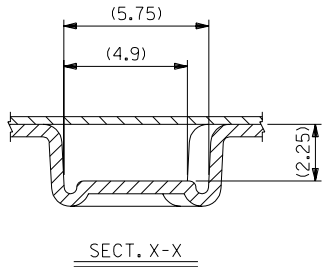
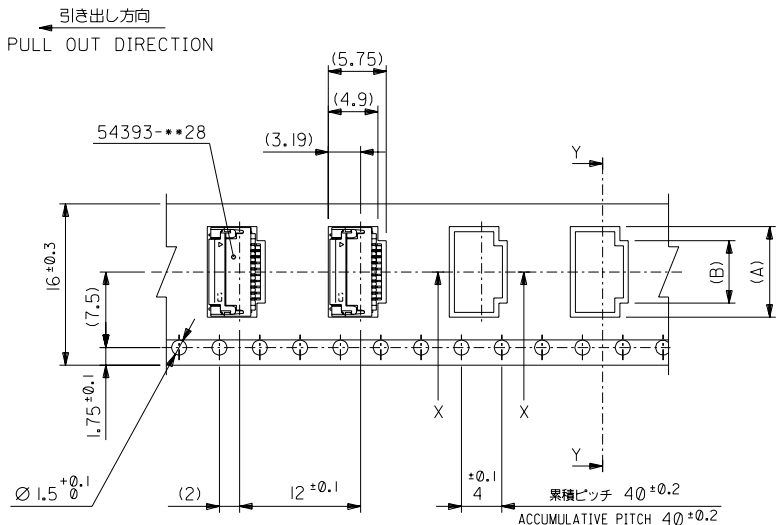
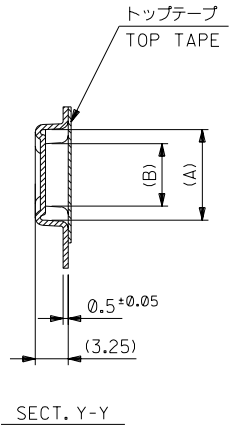
4

3

2

EN-02J(097) MXJ-54

DWG. NO. SD-54393-017



16mm幅キャリアテープ  
16mm WIDTH CARRIER TAPE

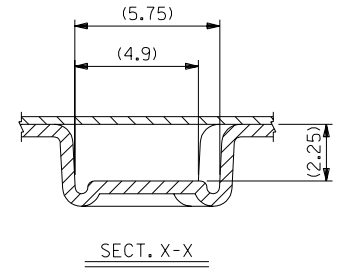
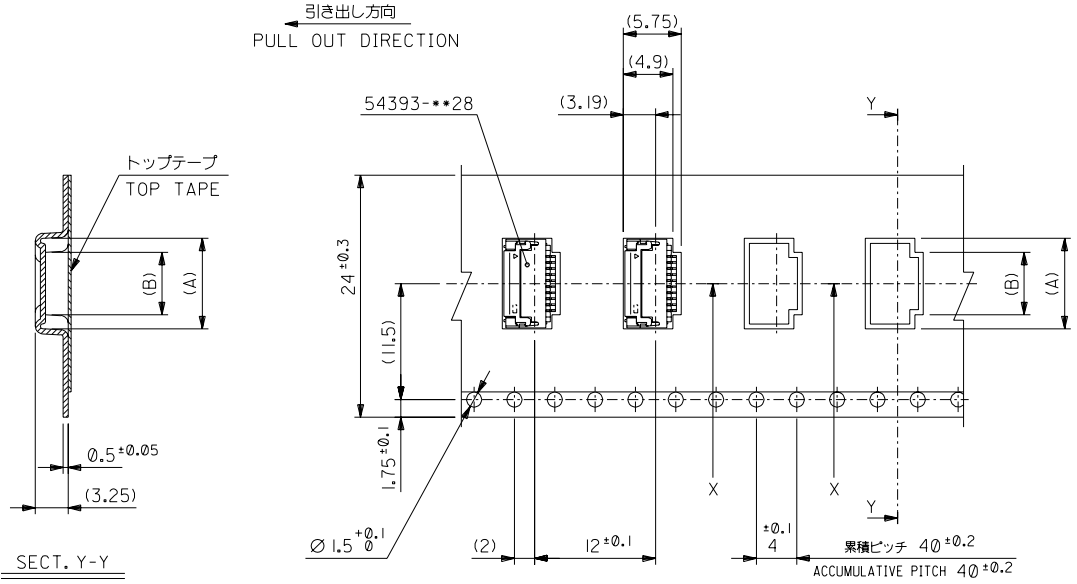
DO NOT SCALE DRAWING

EC NO. DRWN: CHK: APPR:	EC NO. DRWN: CHK: APPR:	EC NO. DRWN: CHK: APPR:	REVISED EC NO. J2004-2846 DRWN: MANIOMIYA '04/03/03 CHK: K. TOJO '04/03/03 APPR: M. SASAO '04/03/03	RELEASED EC NO. J2004-1672 DRWN: T. UENO '03/12/22 CHK: M. SASAO '03/12/22 APPR: M. SASAO '03/12/22	DESCRIPTION MATERIAL 材料 FINISH 仕上げ WIRE RANGE 適用線径範囲 INS. RANGE 被覆外径	注記参照 SEE NOTES // // //
----------------------------------	----------------------------------	----------------------------------	---	---	--	-------------------------------------

SCALE //	DESIGN UNITS <input checked="" type="checkbox"/> mm <input type="checkbox"/> INCH	MODEL NO. 54393-***82	DIMENSIONS: <input type="checkbox"/> mm <input type="checkbox"/> INCH <input checked="" type="checkbox"/> mm ONLY	SHT 17	REV 種数 CKT.
DRAWN BY & DATE T. UENO '03/12/22		TITLE: 0.3 FPC Conn (Easy on) Hsg Assy Embstp Pkg -LEAD FREE-			
CHECKED BY & DATE M. SASAO '03/12/22		MATERIAL NO. 54393-1782			
APPROVED BY & DATE M. SASAO '03/12/22		MATERIAL NO. SEE CHART			
CAD FILENAME SD-54393-017.S02		DRAWING NO. SD-54393-017		SHEET NO. 2 OF 4	
THIS DRAWING CONTAINS INFORMATION THAT IS PROPRIETARY TO MOLEX INCORPORATED AND SHOULD NOT BE USED WITHOUT WRITTEN PERMISSION.					SIZE B

16	21.4	17.4	5.0	7.8	54393-1782	17
キャリアテープ幅 CARRIER TAPE WIDTH	D	C	B	A	MATERIAL NO.	種数 CKT.

DWG. NO. SD-54393-017



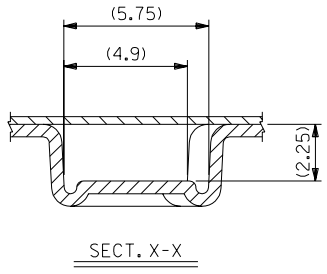
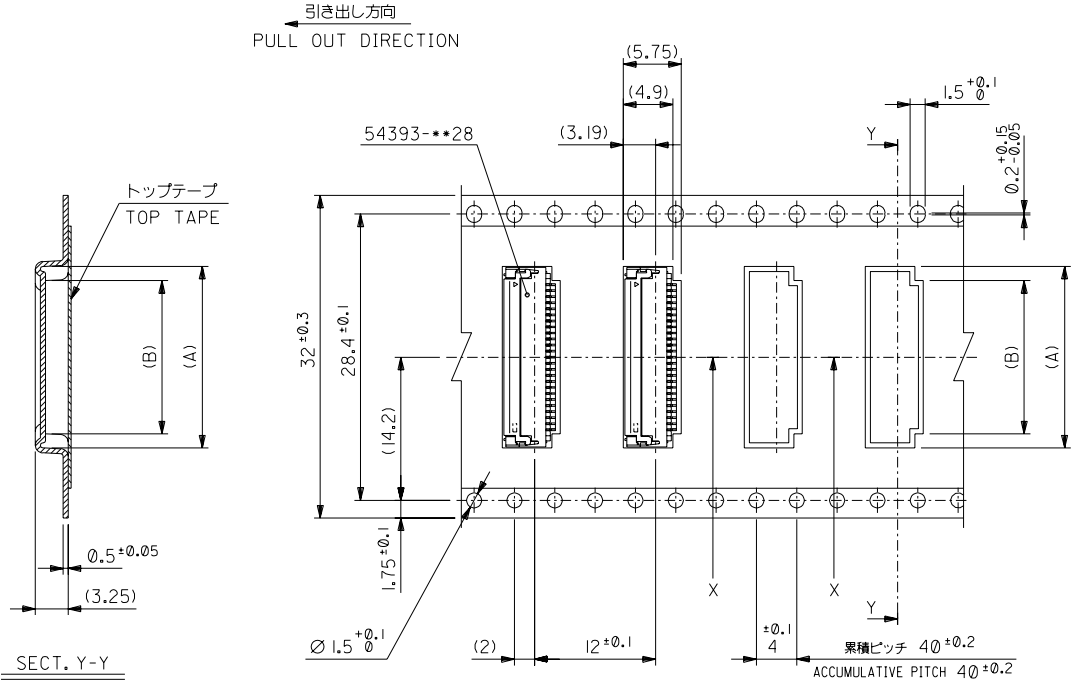
24mm幅キャリアテープ  
24mm WIDTH CARRIER TAPE

24	29.4	25.4	13.4	16.2	54393-4582	45
			11.6	14.4	54393-3982	39
			9.8	12.6	54393-3382	33
			8	10.8	54393-2782	27
			6.8	9.6	54393-2382	23
			6.2	9.0	54393-2182	21
キャリアテープ幅 CARRIER TAPE WIDTH	D	C	B	A	MATERIAL NO.	種数 CKT.

DO NOT SCALE DRAWING

EC NO. DRWN: CHK: APPR:	EC NO. DRWN: CHK: APPR:	EC NO. DRWN: CHK: APPR:	REVISED EC NO. J2004-2846 DRWN:MINOMIYA '04/03/03 CHK: K.TOUJO '04/03/03 APPR:M.SASAO '04/03/03 RELEASED EC NO. J2004-1672 DRWN:T.UENO '03/12/22 CHK: M.SASAO '03/12/22 APPR:M.SASAO '03/12/22	MATERIAL 材料 注記参照 SEE NOTES	GENERAL TOLERANCES: (UNLESS SPECIFIED) 一般公差	SCALE --// DESIGN UNITS <input checked="" type="checkbox"/> mm <input type="checkbox"/> INCH	MODEL NO. 54393-***82 THIRD ANGLE PROJECTION	DIMENSIONS: <input type="checkbox"/> mm <input type="checkbox"/> INCH <input checked="" type="checkbox"/> mm ONLY	SHT REV
				FINISH 仕上げ //	10 UNDER 未満 ±0.2	DRAWN BY & DATE T.UENO '03/12/22	TITLE: 0.3 FPC Conn (Easy on) Hsg Assy Embstp Pkg -LEAD FREE-		
				WIRE RANGE 適用線径範囲 //	10 OVER 30 UNDER 以上 未満 ±0.25	CHECKED BY & DATE M.SASAO '03/12/22			
				INS. RANGE 被覆外径 //	30 OVER 以上 ±0.3	APPROVED BY & DATE M.SASAO '03/12/22	MOLEX INCORPORATED		
					ANGLE 角度 ±3°	CAD FILENAME SD-54393-017.S03	MATERIAL NO. SEE CHART	DRAWING NO. SD-54393-017	SHEET NO. 3 OF 4
THIS DRAWING CONTAINS INFORMATION THAT IS PROPRIETARY TO MOLEX INCORPORATED AND SHOULD NOT BE USED WITHOUT WRITTEN PERMISSION.									SIZE B

DWG. NO. SD-54393-017

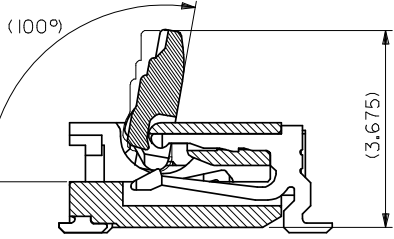
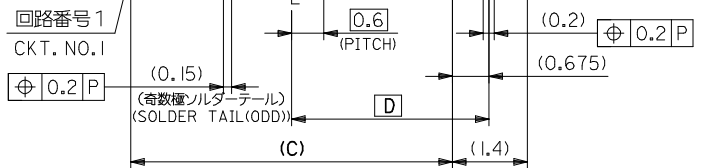
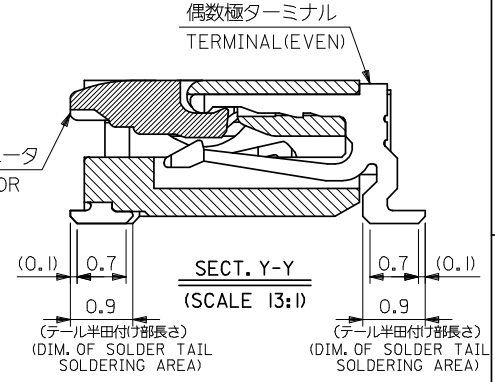
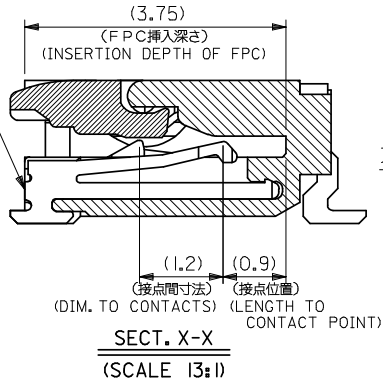
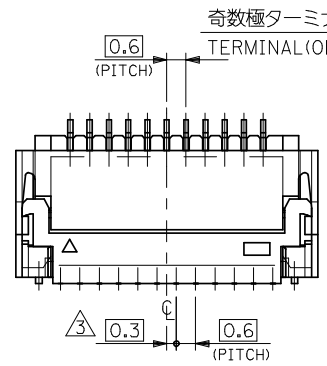
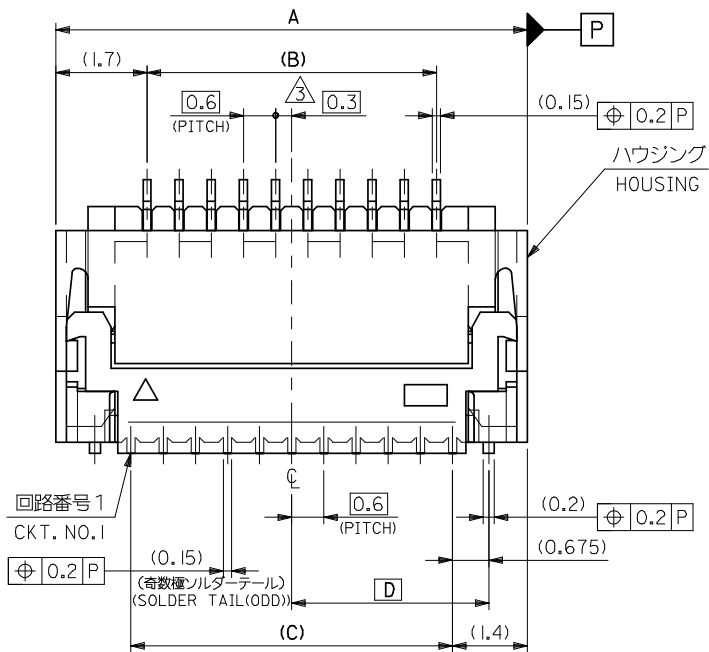


32mm幅キャリアテープ  
32mm WIDTH CARRIER TAPE

DO NOT SCALE DRAWING

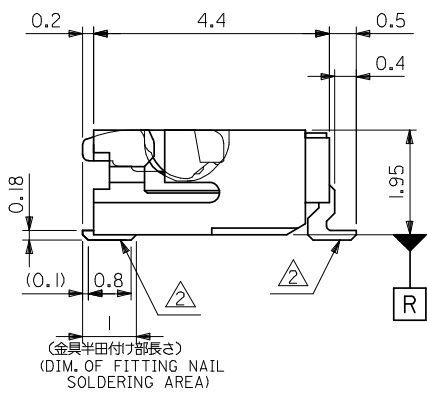
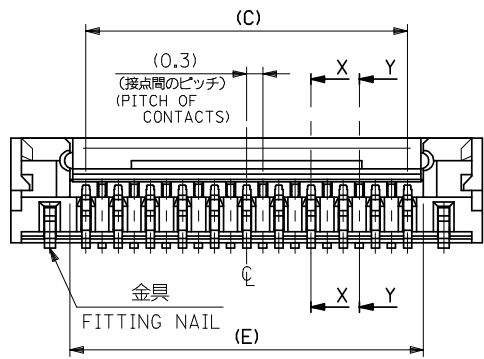
EC NO. DRWN: CHK: APPR:	EC NO. DRWN: CHK: APPR:	EC NO. DRWN: CHK: APPR:	REVISED EC NO. J2004-2846 DRWN:MINOMIYA '04/03/03 CHK: K.TOUJ '04/03/03 APPR:M.SASAO '04/03/03	RELEASED EC NO. J2004-1672 DRWN:T.UENO '03/12/22 CHK: M.SASAO '03/12/22 APPR:M.SASAO '03/12/22	MATERIAL 材料 注記参照 SEE NOTES	GENERAL TOLERANCES: (UNLESS SPECIFIED) 一般公差	SCALE --// DESIGN UNITS <input checked="" type="checkbox"/> mm <input type="checkbox"/> INCH	MODEL NO. 54393-***82	DIMENSIONS: <input type="checkbox"/> mm <input type="checkbox"/> INCH <input checked="" type="checkbox"/> mm ONLY	SHT 51	REV REVISIONS
			A	0	FINISH 仕上げ //	10 UNDER 未満 ±0.2	DRAWN BY & DATE T.UENO '03/12/22	THIRD ANGLE PROJECTION	TITLE: 0.3 FPC Conn (Easy on) Hsg Assy Embstp Pkg -LEAD FREE-		
					WIRE RANGE 適用線径範囲 //	10 OVER 30 UNDER 以上 未満 ±0.25	CHECKED BY & DATE M.SASAO '03/12/22				
					INS. RANGE 被覆外径 //	30 OVER 以上 ±0.3	APPROVED BY & DATE M.SASAO '03/12/22				
						ANGLE 角度 ±3°	CAD FILENAME SD-54393-017.S04	MATERIAL NO. SEE CHART	DRAWING NO. SD-54393-017	SHEET NO. 4 OF 4	SIZE B
THIS DRAWING CONTAINS INFORMATION THAT IS PROPRIETARY TO MOLEX INCORPORATED AND SHOULD NOT BE USED WITHOUT WRITTEN PERMISSION.										EN-02J(097) MXJ-54	

SD-54393-017.S04



**注記 NOTES**

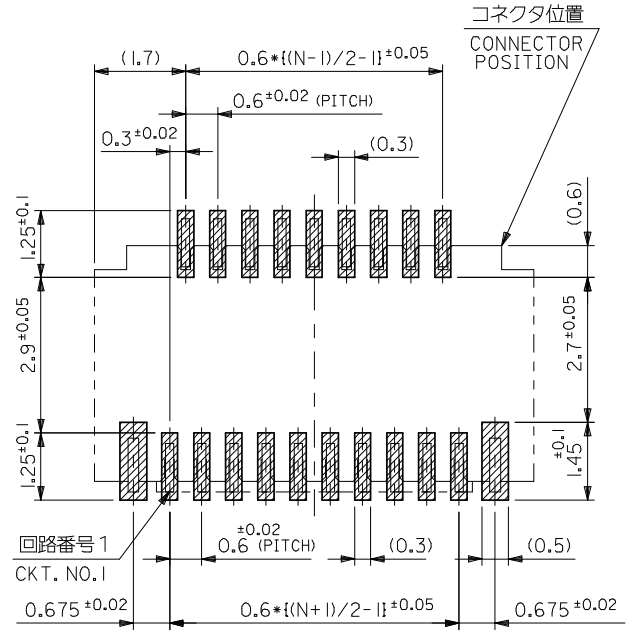
- 使用材料 MATERIAL  
 ハウジング : LCP , UL94V-0  
 HOUSING  
 アクチュエータ : PPS , UL94V-0  
 ACTUATOR  
 ターミナル : リン青銅 (t=0.15), ニッケル下地鍍ピスマスメッキ  
 TERMINAL : PHOS-BRO., TIN-BISMUTH OVER NICKEL PLATING.  
 金具 : リン青銅 (t=0.2), ニッケル下地鍍メッキ  
 FITTING NAIL : PHOS-BRO., TIN OVER NICKEL PLATING.
- ソルダーテール半田付け面のスレ量、及び金具半田付け面のスレ量は、基準面 **R** に対し、上方向 OMA X、下方向 O. 1.8 MAX. とする。  
 又、相互のパラッキ量は O. 1 MAX. とする。  
 MISALIGNMENT OF SOLDER TAILS AND FITTING NAILS FROM **R**  
 UPPER DIRECTION : 0 MAX., LOWER DIRECTION : 0.18 MAX.  
 OFFSET BETWEEN SOLDER TAILS AND FITTING NAILS : 0.1 MAX.
- (N-1)/2 が偶数の場合、偶数極側に適用。  
 (N-1)/2 が奇数の場合、奇数極側に適用。  
 IF (N-1)/2 = EVEN, APPLY FOR EVEN CIRCUIT SIDE,  
 IF (N-1)/2 = ODD, APPLY FOR ODD CIRCUIT SIDE.
- 一般公差 : ±0.3  
 GENERAL TOLERANCES : ±0.3
- 本製品は 54393-\*\*27 の鉛フリー品です  
 THIS PRODUCT IS LEAD FREE OF 54393-\*\*27



15.6	8.175	15	14.4	17.8	54393-5182	54393-5128	51
13.8	7.275	13.2	12.6	16	54393-4582	54393-4528	45
12	6.375	11.4	10.8	14.2	54393-3982	54393-3928	39
10.2	5.475	9.6	9	12.4	54393-3382	54393-3328	33
8.4	4.575	7.8	7.2	10.6	54393-2782	54393-2728	27
7.2	3.975	6.6	6.0	9.4	54393-2382	54393-2328	23
6.6	3.675	6	5.4	8.8	54393-2182	54393-2128	21
5.4	3.075	4.8	4.2	7.6	54393-1782	54393-1728	17
E	D	C	B	A	EMBOSSED TAPE	MATERIAL NO.	CKT.
					ORDER No. オート番号		
					54393-**28	MODEL NO.	

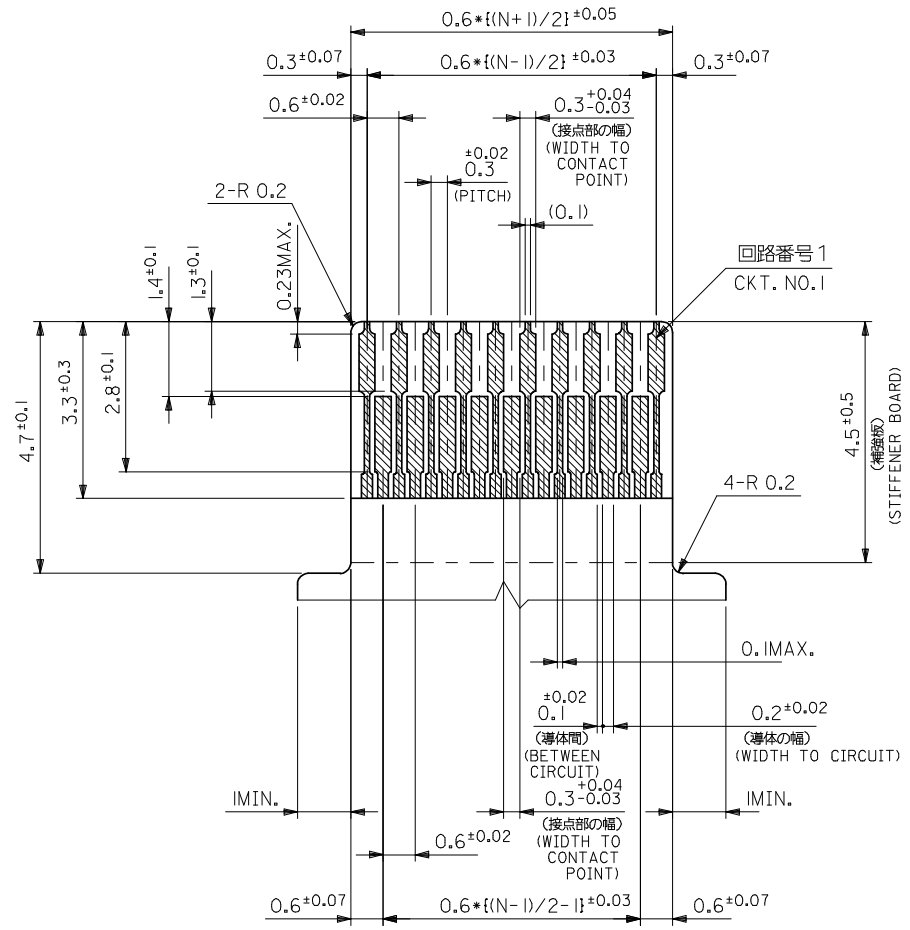
REVISED EC NO: J2008-4034 DRWN: WABEI CHKD: THARUYAMA APPR: NUKITA	GENERAL TOLERANCES (UNLESS SPECIFIED)		DIMENSION STYLE MM ONLY		SCALE 10:1	DESIGN UNITS METRIC	THIRD ANGLE PROJECTION
	10 UNDER	± ---	DRAWN BY T. UENO	DATE '03/12/22	TITLE 0.3 FPC CONN (EASY ON) HSG ASSY -LEAD FREE-		
	10 OVER 30 UNDER	± ---	CHECKED BY M. SASAO	DATE '03/12/22			
	30 OVER	± ---	APPROVED BY M. SASAO	DATE '03/12/22	MOLEX INCORPORATED		
	ANGULAR	± --- °	MATERIAL NO.	DOCUMENT NO.			
DRAFT WHERE APPLICABLE MUST REMAIN WITHIN DIMENSIONS		SEE TABLE		SD-54393-022			





FPC挿入側  
FPC INSERTION SIDE

参考基板レイアウト  
RECOMMENDED P.C.BOARD  
PATTERN DIM. (REF.)  
(マウント面)  
(MOUNTING SIDE)



適合FPC推奨寸法  
APPLICABLE FPC  
RECOMMENDED DIM.  
(仕上がり厚さ: 0.2 ± 0.03)  
(THICKNESS : 0.2 ± 0.03)

FPCについて:  
打抜き方向は導体側から補強板側を推奨致します。  
補強フィルム材質はポリイミドを推奨致します。  
接着剤は熱硬化接着剤を推奨致します。

ABOUT FPC:  
RECOMMENDED PUNCHER DIRECTION : FROM CONDUCTOR SIDE TO STIFFENER BOARD SIDE.  
RECOMMENDED MATERIAL:  
STIFFENER FILM : POLYIMIDE  
BONDING AGENT : THERMOSETTING BONDING AGENT

REVISED EC NO: J2008-4034 DRWN:WABEI CHKD:THARUYAMA APPR:NUKITA	DESCRIPTION 2008/05/28 2008/05/28 2008/05/28	GENERAL TOLERANCES (UNLESS SPECIFIED)		DIMENSION STYLE MM ONLY		SCALE 10:1	DESIGN UNITS METRIC	THIRD ANGLE PROJECTION	
		10 UNDER	± ---	DRAWN BY T. UENO	DATE '03/12/22	TITLE 0.3 FPC CONN (EASY ON) HSG ASSY -LEAD FREE-			
		10 OVER 30 UNDER	± ---	CHECKED BY M. SASAO	DATE '03/12/22	MOLEX INCORPORATED			
		30 OVER	± ---	APPROVED BY M. SASAO	DATE '03/12/22	DOCUMENT NO. SD-54393-022		SHEET NO. 2 OF 2	
		ANGULAR	± --- °	MATERIAL NO. SEE SHEET 1					
DRAFT WHERE APPLICABLE MUST REMAIN WITHIN DIMENSIONS		SIZE A3		THIS DRAWING CONTAINS INFORMATION THAT IS PROPRIETARY TO MOLEX INCORPORATED AND SHOULD NOT BE USED WITHOUT WRITTEN PERMISSION					