



Chipsmall Limited consists of a professional team with an average of over 10 year of expertise in the distribution of electronic components. Based in Hongkong, we have already established firm and mutual-benefit business relationships with customers from,Europe,America and south Asia,supplying obsolete and hard-to-find components to meet their specific needs.

With the principle of “Quality Parts,Customers Priority,Honest Operation,and Considerate Service”,our business mainly focus on the distribution of electronic components. Line cards we deal with include Microchip,ALPS,ROHM,Xilinx,Pulse,ON,Everlight and Freescale. Main products comprise IC,Modules,Potentiometer,IC Socket,Relay,Connector.Our parts cover such applications as commercial,industrial, and automotives areas.

We are looking forward to setting up business relationship with you and hope to provide you with the best service and solution. Let us make a better world for our industry!



Contact us

Tel: +86-755-8981 8866 Fax: +86-755-8427 6832

Email & Skype: info@chipsmall.com Web: www.chipsmall.com

Address: A1208, Overseas Decoration Building, #122 Zhenhua RD., Futian, Shenzhen, China



8

7

6

5

4

3

2

1

F

E

D

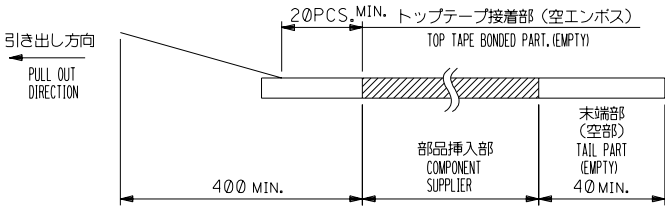
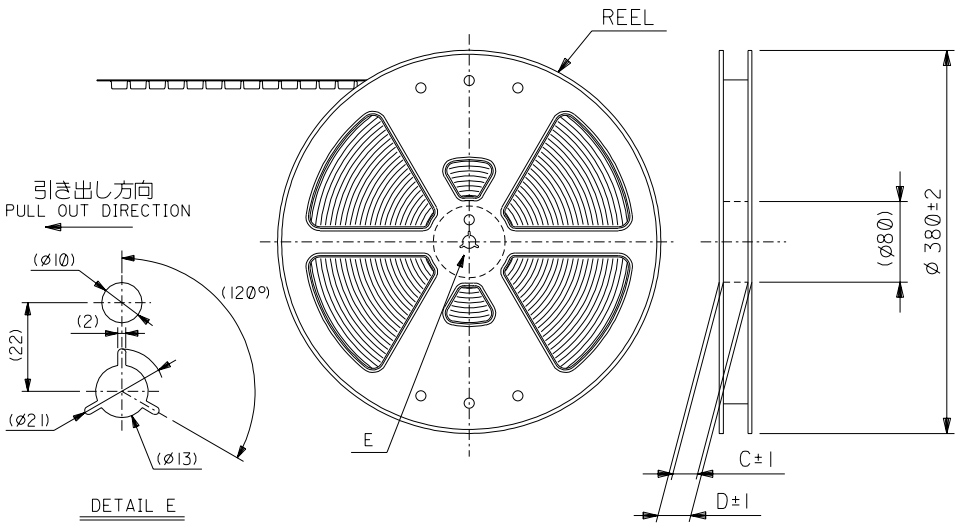
C

B

SD-54393-017.SA

注記 NOTES

- 製品詳細寸法については、図面SD-54393-022を参照下さい。
RE DETAILED DIMENSION, SEE SD-54393-022.
- 梱包数量：2000個/リール
NUMBER OF CONNECTORS : 2000PCS/REEL
- リードテープ長さ LEAD TAPE LENGTH



- トップテープの剥離強度：0.1N~1.3N {10gf~130gf} (剥離方向は下図参照)
尚、本規格値は出荷時に適用。(但し、輸送時に剥離が発生しないこと。)
PEELING OFF FORCE OF TOP TAPE : 0.1N ~ 1.3N {10gf ~ 130gf}
(PEELING DIRECTION AS SHOWN IN FOLLOWING FIG,)
THIS REQUIREMENT SHOULD BE APPLIED AT SHIPMENT.
PEEL OFF SHOULD NOT BE ALLOWED, DURING TRANSPORTATION.

- 材料 (MATERIAL)
キャリアテープ (CARRIER TAPE) : ポリプロピレン (POLYPROPYLENE)
トップテープ (TOP TAPE) : PET, PE, PEF
リール (REEL) : ポリスチレン (PS) <リサイクル材を含む>
POLYSTYREN (PS) <RECYCLE MATERIAL CONTAINED>

- 本製品は54393-**92の鉛フリー品です。
THIS PRODUCT IS LEAD FREE OF 54393-**92

EC NO. DRWN: CHK: APPR:		EC NO. DRWN: CHK: APPR:		EC NO. DRWN: CHK: APPR:		REVISED EC NO. J2004-2846 DRWN:MINOMIYA '04/03/03 CHK: K.TOUJO '04/03/03 APPR:M.SASAO '04/03/03		RELEASED EC NO. J2004-1672 DRWN:T.UENO '03/12/22 CHK: M.SASAO '03/12/22 APPR:M.SASAO '03/12/22		MATERIAL 材料 注記参照 SEE NOTES		GENERAL TOLERANCES: (UNLESS SPECIFIED) 一般公差		54393-**82		MODEL NO.		DIMENSIONS:		SHT		REV	
						A		0		//		10 UNDER 未満 ±0.2		DRAWN BY & DATE T.UENO '03/12/22		THIRD ANGLE PROJECTION		mm INCH		mm ONLY		REVISE ON CAD ONLY	
										//		10 OVER 30 UNDER 未満 ±0.25		CHECKED BY & DATE M.SASAO '03/12/22		TITLE: 0.3 FPC Conn (Easy on) Hsg Assy Embstp Pkg -LEAD FREE-							
										//		30 OVER 以上 ±0.3		APPROVED BY & DATE M.SASAO '03/12/22		MOLEX INCORPORATED							
										//		ANGLE 角度 ±3°		CAD FILENAME SD-54393-017.S01		MATERIAL NO. SEE CHART		DRAWING NO. SD-54393-017		SHEET NO. 1 OF 4		SIZE B	
										//				THIS DRAWING CONTAINS INFORMATION THAT IS PROPRIETARY TO MOLEX INCORPORATED AND SHOULD NOT BE USED WITHOUT WRITTEN PERMISSION.								EN-02J(097) MXJ-54	

8

7

6

5

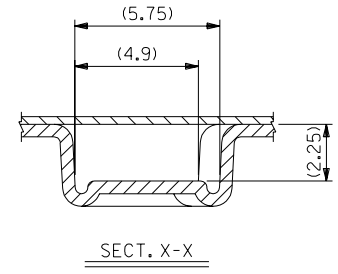
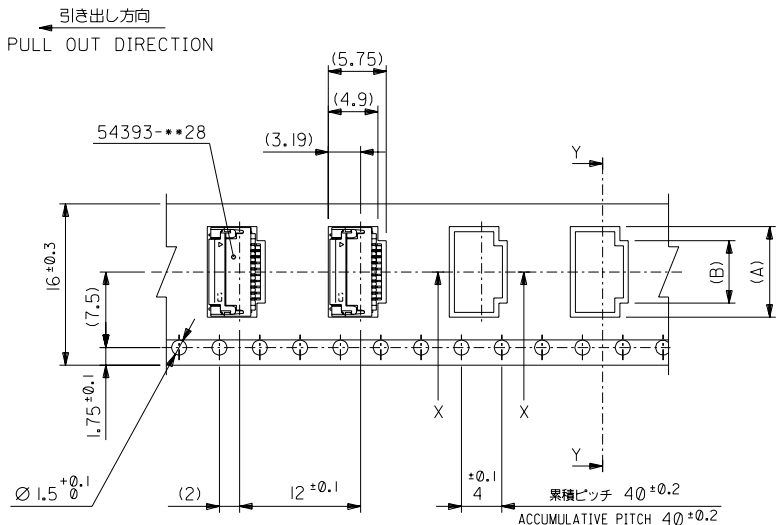
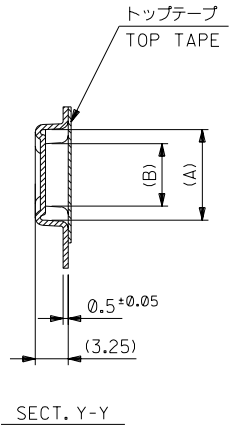
4

3

2

EN-02J(097) MXJ-54

DWG. NO. SD-54393-017



16mm幅キャリアテープ
16mm WIDTH CARRIER TAPE

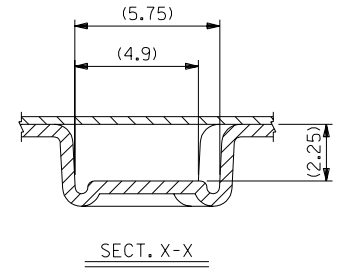
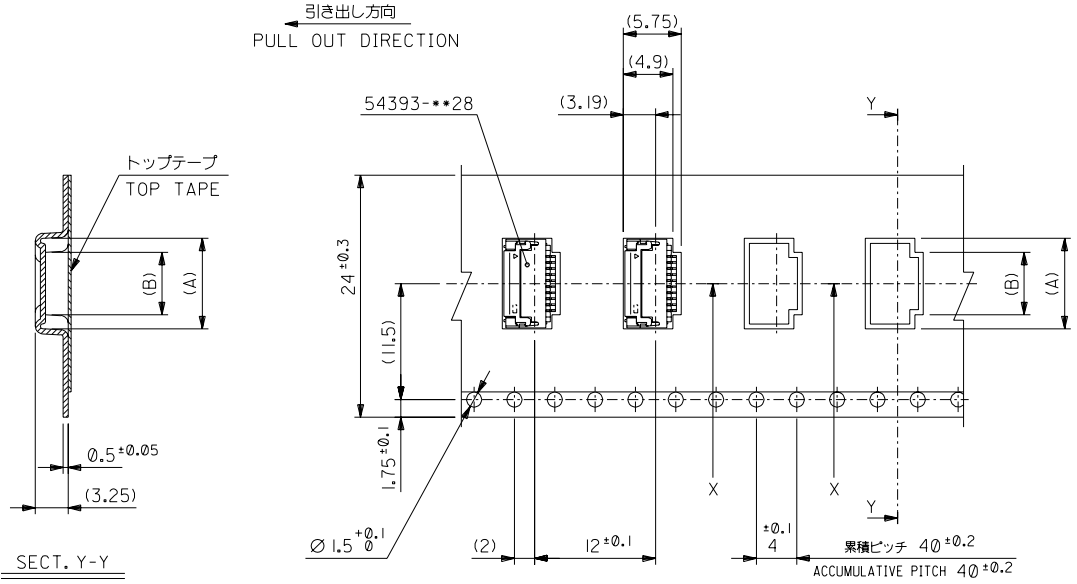
DO NOT SCALE DRAWING

EC NO. DRWN: CHK: APPR:	EC NO. DRWN: CHK: APPR:	EC NO. DRWN: CHK: APPR:	REVISED EC NO. J2004-2846 DRWN: MANIOMIYA '04/03/03 CHK: K. TOJO '04/03/03 APPR: M. SASAO '04/03/03 RELEASED EC NO. J2004-1672 DRWN: T. UENO '03/12/22 CHK: M. SASAO '03/12/22 APPR: M. SASAO '03/12/22	MATERIAL 材料 注記参照 SEE NOTES	GENERAL TOLERANCES: (UNLESS SPECIFIED) 一般公差
				FINISH 仕上げ //	10 UNDER 未満 ±0.2
				WIRE RANGE 適用線径範囲 //	10 OVER 30 UNDER 未満 ±0.25
				INS. RANGE 被覆外径 //	30 OVER 以上 ±0.3
					ANGLE 角度 ±3°

16	21.4	17.4	5.0	7.8	54393-1782	17
キャリアテープ幅 CARRIER TAPE WIDTH	D	C	B	A	MATERIAL NO.	種数 CKT.
SCALE //	DESIGN UNITS <input checked="" type="checkbox"/> mm <input type="checkbox"/> INCH	MODEL NO. 54393-***82	DIMENSIONS: <input type="checkbox"/> mm <input type="checkbox"/> INCH <input checked="" type="checkbox"/> mm ONLY		SHT	REV
THIRD ANGLE PROJECTION	TITLE: 0.3 FPC Conn (Easy on) Hsg Assy Embstp Pkg -LEAD FREE-					REVISE ON CAD ONLY
DRAWN BY & DATE T.UENO '03/12/22	APPROVED BY & DATE M.SASAO '03/12/22					
CHECKED BY & DATE M.SASAO '03/12/22	MATERIAL NO. SEE CHART					DRAWING NO. SD-54393-017
APPROVED BY & DATE M.SASAO '03/12/22	MATERIAL NO. SEE CHART					DRAWING NO. SD-54393-017
CAD FILENAME SD-54393-017.S02	MATERIAL NO. SEE CHART					DRAWING NO. SD-54393-017
THIS DRAWING CONTAINS INFORMATION THAT IS PROPRIETARY TO MOLEX INCORPORATED AND SHOULD NOT BE USED WITHOUT WRITTEN PERMISSION.					SIZE B	

SD-54393-017.S02

DWG. NO. SD-54393-017



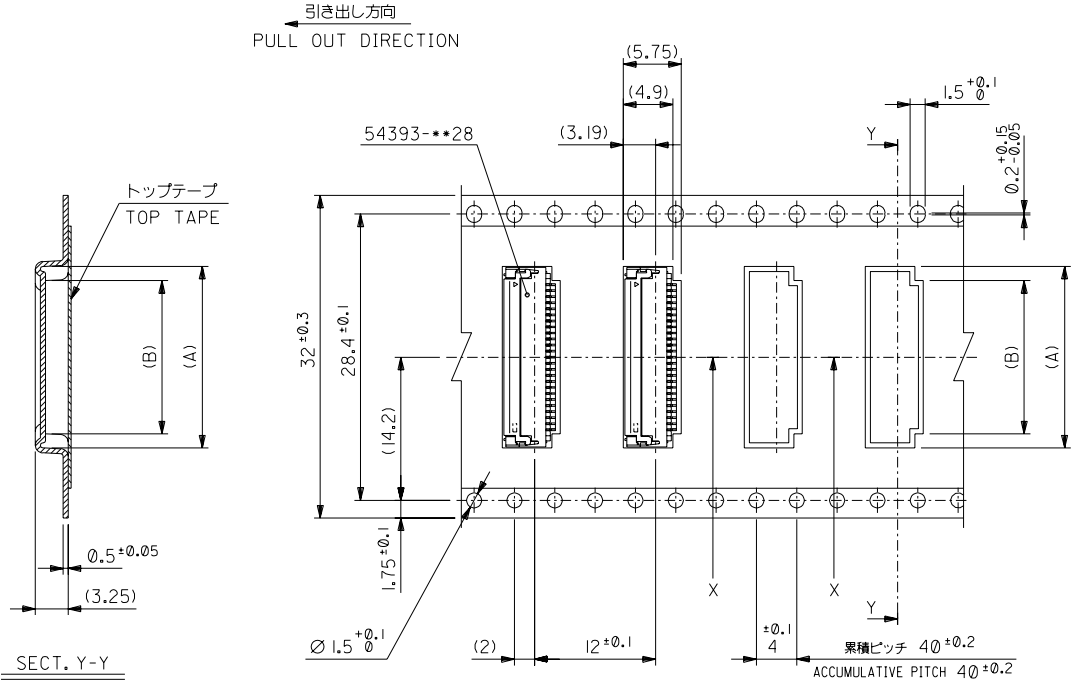
24mm幅キャリアテープ
24mm WIDTH CARRIER TAPE

24	29.4	25.4	13.4	16.2	54393-4582	45
			11.6	14.4	54393-3982	39
			9.8	12.6	54393-3382	33
			8	10.8	54393-2782	27
			6.8	9.6	54393-2382	23
			6.2	9.0	54393-2182	21
キャリアテープ幅 CARRIER TAPE WIDTH	D	C	B	A	MATERIAL NO.	種数 CKT.

DO NOT SCALE DRAWING

EC NO. DRWN: CHK: APPR:	EC NO. DRWN: CHK: APPR:	EC NO. DRWN: CHK: APPR:	REVISED EC NO. J2004-2846 DRWN:MINOMIYA '04/03/03 CHK: K.TOUJO '04/03/03 APPR:M.SASAO '04/03/03 RELEASED	EC NO. J2004-1672 DRWN:T.UENO '03/12/22 CHK: M.SASAO '03/12/22 APPR:M.SASAO '03/12/22	MATERIAL 材料 注記参照 SEE NOTES	GENERAL TOLERANCES: (UNLESS SPECIFIED) 一般公差	SCALE --// DESIGN UNITS <input checked="" type="checkbox"/> mm <input type="checkbox"/> INCH	MODEL NO. 54393-***82	DIMENSIONS: <input type="checkbox"/> mm <input type="checkbox"/> INCH <input checked="" type="checkbox"/> mm ONLY		SHT	REV
			A	0	FINISH 仕上げ //	10 UNDER 未満 ±0.2	DRAWN BY & DATE T.UENO '03/12/22	THIRD ANGLE PROJECTION				
					WIRE RANGE 適用層線範囲 //	10 OVER 30 UNDER 以上 未満 ±0.25	CHECKED BY & DATE M.SASAO '03/12/22	TITLE: 0.3 FPC Conn (Easy on) Hsg Assy Embstp Pkg -LEAD FREE-				
					INS. RANGE 被覆外径 //	30 OVER 以上 ±0.3	APPROVED BY & DATE M.SASAO '03/12/22	MOLEX INCORPORATED				
					ANGLE 角度 ±3°		CAD FILENAME SD-54393-017.S03	MATERIAL NO. SEE CHART	DRAWING NO. SD-54393-017	SHEET NO. 3 OF 4	SIZE B	
THIS DRAWING CONTAINS INFORMATION THAT IS PROPRIETARY TO MOLEX INCORPORATED AND SHOULD NOT BE USED WITHOUT WRITTEN PERMISSION.												

DWG. NO. SD-54393-017



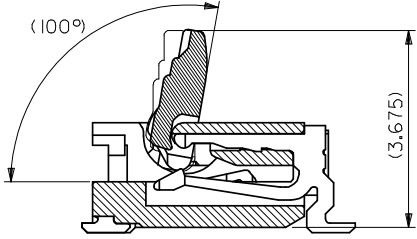
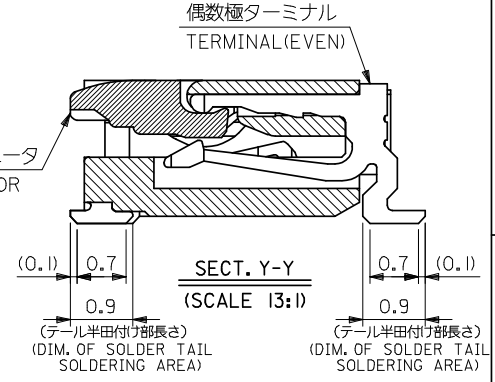
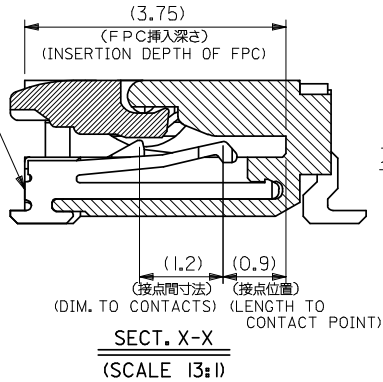
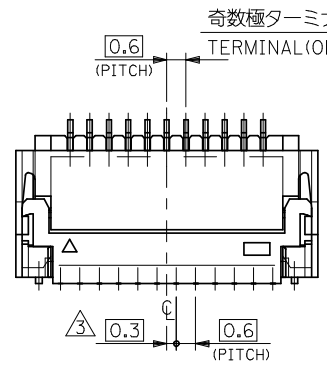
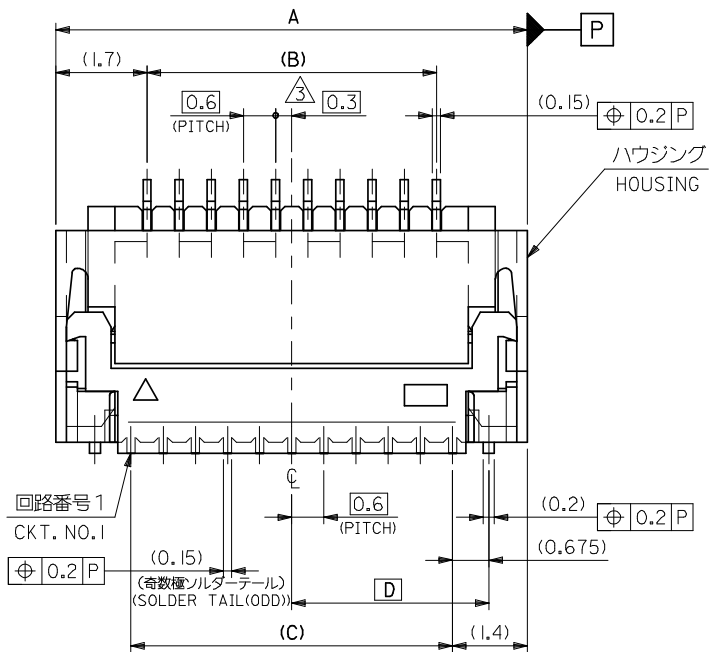
32	37.4	33.4	15.2	18.0	54393-5182	51
キャリアテープ幅 CARRIER TAPE WIDTH	D	C	B	A	MATERIAL NO.	種数 CKT.

54393-***82		MODEL NO.	DIMENSIONS:		SHT	REV
SCALE	DESIGN UNITS	THIRD ANGLE PROJECTION	<input type="checkbox"/> mm <input type="checkbox"/> INCH	<input type="checkbox"/> mm <input type="checkbox"/> INCH	<input checked="" type="checkbox"/> mm ONLY	REVISE ON CAD ONLY

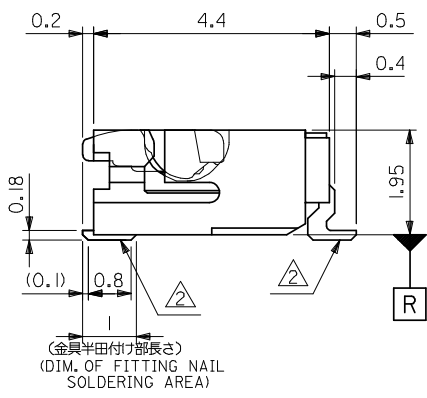
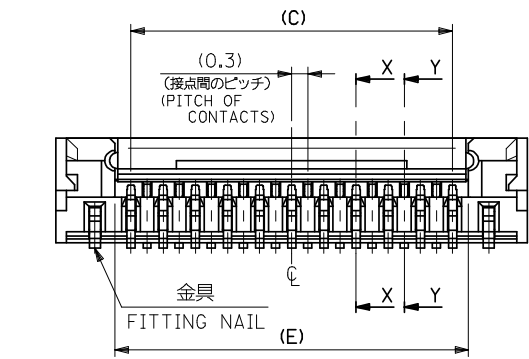
DRAWN BY & DATE T.UENO '03/12/22		TITLE: 0.3 FPC Conn (Easy on) Hsg Assy Embstp Pkg -LEAD FREE-			
CHECKED BY & DATE M.SASAO '03/12/22		MOLEX INCORPORATED			
APPROVED BY & DATE M.SASAO '03/12/22					
CAD FILENAME SD-54393-017.S04	MATERIAL NO. SEE CHART	DRAWING NO. SD-54393-017	SHEET NO. 4 OF 4		SIZE B

EC NO. DRWN: CHK: APPR:	EC NO. DRWN: CHK: APPR:	EC NO. DRWN: CHK: APPR:	REVISED EC NO. J2004-2846 DRWN:MINOMIYA '04/03/03 CHK: K.TOUJ '04/03/03 APPR:M.SASAO '04/03/03	RELEASED EC NO. J2004-1672 DRWN:T.UENO '03/12/22 CHK: M.SASAO '03/12/22 APPR:M.SASAO '03/12/22	MATERIAL 材料 注記参照 SEE NOTES	GENERAL TOLERANCES: (UNLESS SPECIFIED) 一般公差	10 UNDER 未満 ±0.2	10 OVER 以上 30 UNDER 未満 ±0.25	30 OVER 以上 ±0.3	ANGLE 角度 ±3°
					FINISH 仕上げ //					
					WIRE RANGE 適用線径範囲 //					
					INS. RANGE 被覆外径 //					

DO NOT SCALE DRAWING



アクチュエータを開口した状態
WHEN ACTUATOR IS OPENED

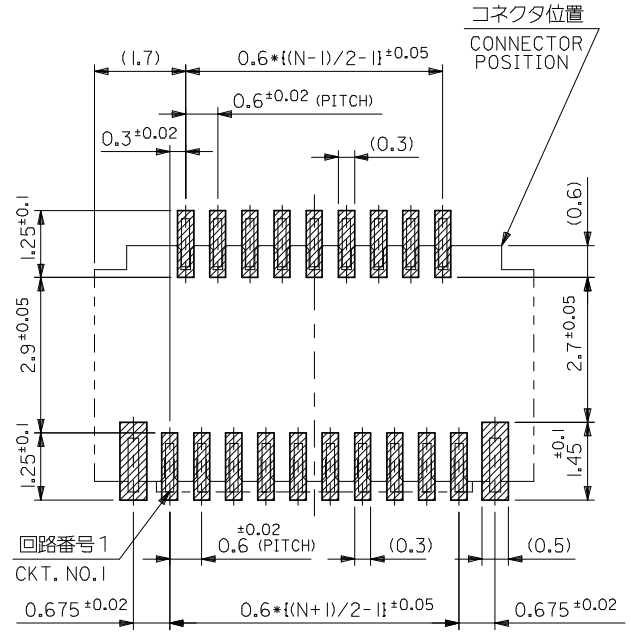


注記 NOTES

- 使用材料 MATERIAL
 ハウジング : LCP , UL94V-0
 HOUSING
 アクチュエータ : PPS , UL94V-0
 ACTUATOR
 ターミナル : リン青銅 (t=0.15), ニッケル下地鍍ピスマスメッキ
 TERMINAL : PHOS-BRO., TIN-BISMUTH OVER NICKEL PLATING.
 金具 : リン青銅 (t=0.2), ニッケル下地鍍メッキ
 FITTING NAIL : PHOS-BRO., TIN OVER NICKEL PLATING.
- ソルダータール半田付け面のスレ量、及び金具半田付け面のスレ量は、基準面 R に対し、上方向 OMAX、下方向 0.18MAX. とする。
 又、相互のパラッキ量は 0.1MAX. とする。
 MISALIGNMENT OF SOLDER TAILS AND FITTING NAILS FROM R
 UPPER DIRECTION : 0 MAX., LOWER DIRECTION : 0.18 MAX.
 OFFSET BETWEEN SOLDER TAILS AND FITTING NAILS : 0.1 MAX.
- (N-1)/2 が偶数の場合、偶数極側に適用。
 (N-1)/2 が奇数の場合、奇数極側に適用。
 IF (N-1)/2 = EVEN, APPLY FOR EVEN CIRCUIT SIDE,
 IF (N-1)/2 = ODD, APPLY FOR ODD CIRCUIT SIDE,
- 一般公差 : ±0.3
 GENERAL TOLERANCES : ±0.3
- 本製品は 54393-**27 の鉛フリー品です
 THIS PRODUCT IS LEAD FREE OF 54393-**27

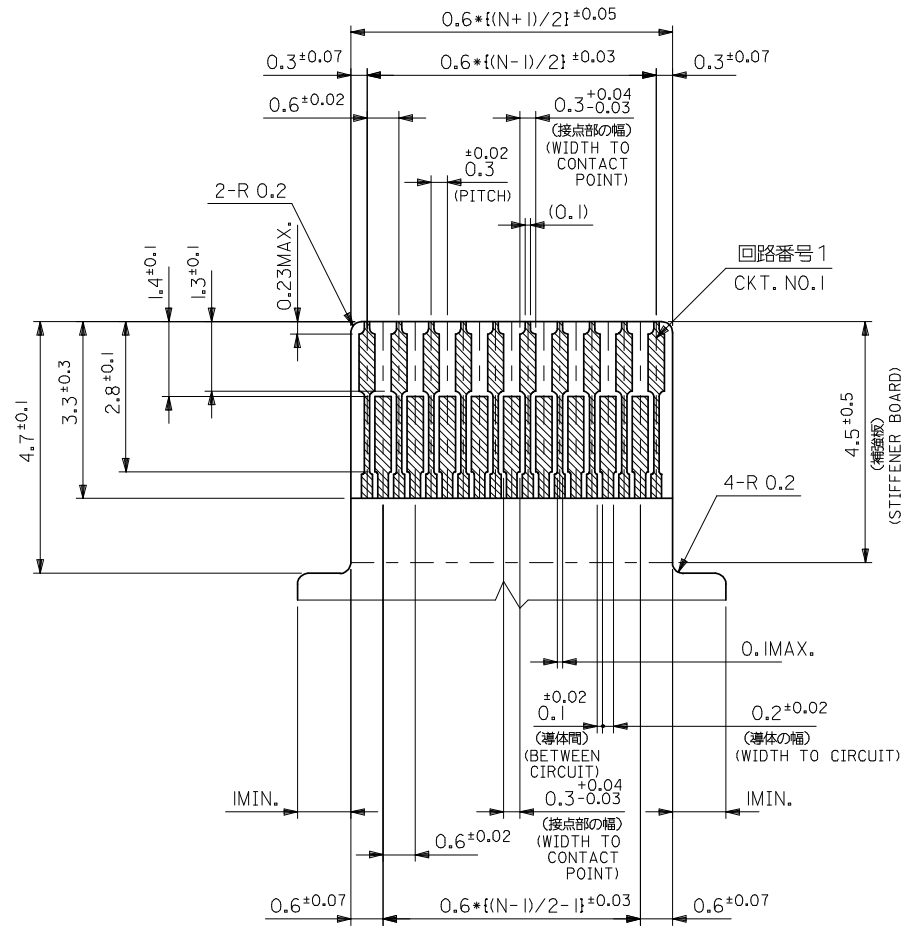
15.6	8.175	15	14.4	17.8	54393-5182	54393-5128	51
13.8	7.275	13.2	12.6	16	54393-4582	54393-4528	45
12	6.375	11.4	10.8	14.2	54393-3982	54393-3928	39
10.2	5.475	9.6	9	12.4	54393-3382	54393-3328	33
8.4	4.575	7.8	7.2	10.6	54393-2782	54393-2728	27
7.2	3.975	6.6	6.0	9.4	54393-2382	54393-2328	23
6.6	3.675	6	5.4	8.8	54393-2182	54393-2128	21
5.4	3.075	4.8	4.2	7.6	54393-1782	54393-1728	17
E	D	C	B	A	EMBOSSD TAPE	MATERIAL NO.	CKT.
ORDER No. オート番号						MODEL NO.	

REVISED EC NO: J2008-4034 2008/05/28 DRWN:WABEI 2008/05/28 CHKD:THARUYAMA 2008/05/28 APPR:NUKITA 2008/05/28	GENERAL TOLERANCES (UNLESS SPECIFIED)		DIMENSION STYLE MM ONLY		SCALE 10:1	DESIGN UNITS METRIC	THIRD ANGLE PROJECTION	
	10 UNDER	± ---	DRAWN BY T. UENO	DATE '03/12/22	TITLE 0.3 FPC CONN (EASY ON) HSG ASSY -LEAD FREE-			
	10 OVER 30 UNDER	± ---	CHECKED BY M. SASAO	DATE '03/12/22				
	30 OVER	± ---	APPROVED BY M. SASAO	DATE '03/12/22	MOLEX INCORPORATED			
	ANGULAR	± --- °	MATERIAL NO.					
DRAFT WHERE APPLICABLE MUST REMAIN WITHIN DIMENSIONS			SEE TABLE		SD-54393-022		1 OF 2	



FPC挿入側
FPC INSERTION SIDE

参考基板レイアウト
RECOMMENDED P.C.BOARD
PATTERN DIM. (REF.)
(マウント面)
(MOUNTING SIDE)



適合FPC推奨寸法
APPLICABLE FPC
RECOMMENDED DIM.
(仕上がり厚さ: 0.2 ± 0.03)
(THICKNESS : 0.2 ± 0.03)

FPCについて:
打抜き方向は導体側から補強板側を推奨致します。
補強フィルム材質はポリイミドを推奨致します。
接着剤は熱硬化接着剤を推奨致します。

ABOUT FPC:
RECOMMENDED PUNCHER DIRECTION : FROM CONDUCTOR SIDE TO STIFFENER BOARD SIDE.
RECOMMENDED MATERIAL:
STIFFENER FILM : POLYIMIDE
BONDING AGENT : THERMOSETTING BONDING AGENT

REVISED EC NO: J2008-4034 DRWN:WABEI CHKD:THARUYAMA APPR:NUKITA	DESCRIPTION REV	GENERAL TOLERANCES (UNLESS SPECIFIED)		DIMENSION STYLE MM ONLY		SCALE 10:1	DESIGN UNITS METRIC	THIRD ANGLE PROJECTION	
		10 UNDER	± ---	DRAWN BY T. UENO	DATE '03/12/22	TITLE 0.3 FPC CONN (EASY ON) HSG ASSY -LEAD FREE-			
		10 OVER 30 UNDER	± ---	CHECKED BY M. SASAO	DATE '03/12/22	MOLEX INCORPORATED			
		30 OVER	± ---	APPROVED BY M. SASAO	DATE '03/12/22	DOCUMENT NO. SD-54393-022		SHEET NO. 2 OF 2	
		ANGULAR	± --- °	MATERIAL NO. SEE SHEET 1					
DRAFT WHERE APPLICABLE MUST REMAIN WITHIN DIMENSIONS		THIS DRAWING CONTAINS INFORMATION THAT IS PROPRIETARY TO MOLEX INCORPORATED AND SHOULD NOT BE USED WITHOUT WRITTEN PERMISSION							