



Chipsmall Limited consists of a professional team with an average of over 10 year of expertise in the distribution of electronic components. Based in Hongkong, we have already established firm and mutual-benefit business relationships with customers from,Europe,America and south Asia,supplying obsolete and hard-to-find components to meet their specific needs.

With the principle of “Quality Parts,Customers Priority,Honest Operation,and Considerate Service”,our business mainly focus on the distribution of electronic components. Line cards we deal with include Microchip,ALPS,ROHM,Xilinx,Pulse,ON,Everlight and Freescale. Main products comprise IC,Modules,Potentiometer,IC Socket,Relay,Connector.Our parts cover such applications as commercial,industrial, and automotives areas.

We are looking forward to setting up business relationship with you and hope to provide you with the best service and solution. Let us make a better world for our industry!



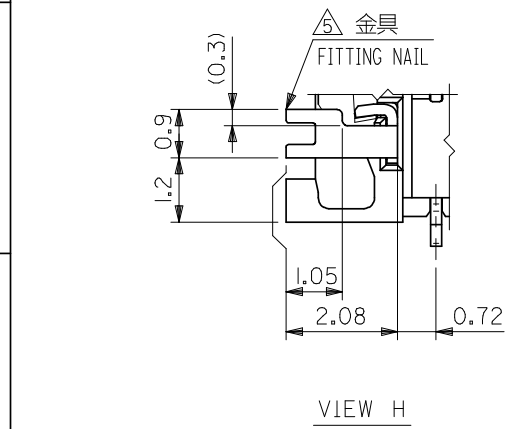
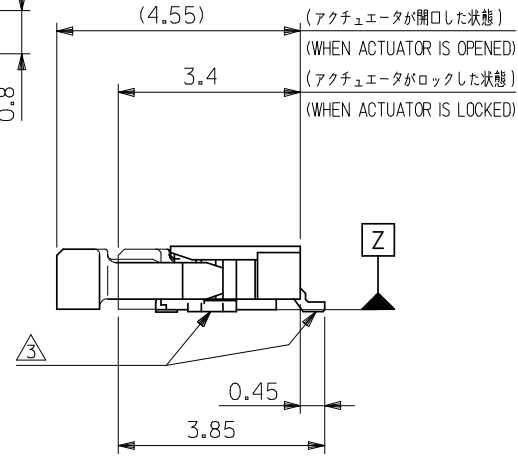
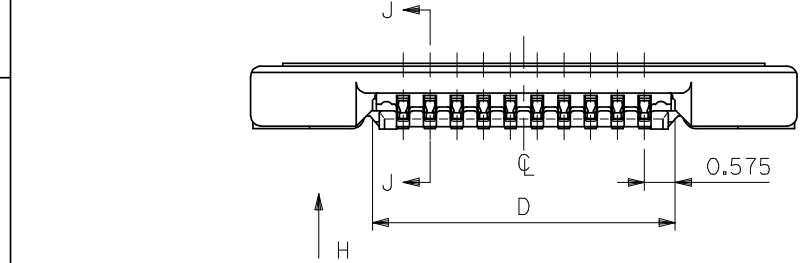
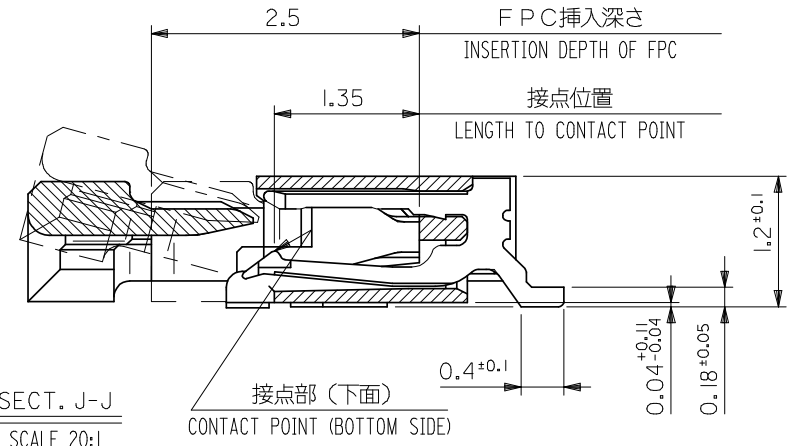
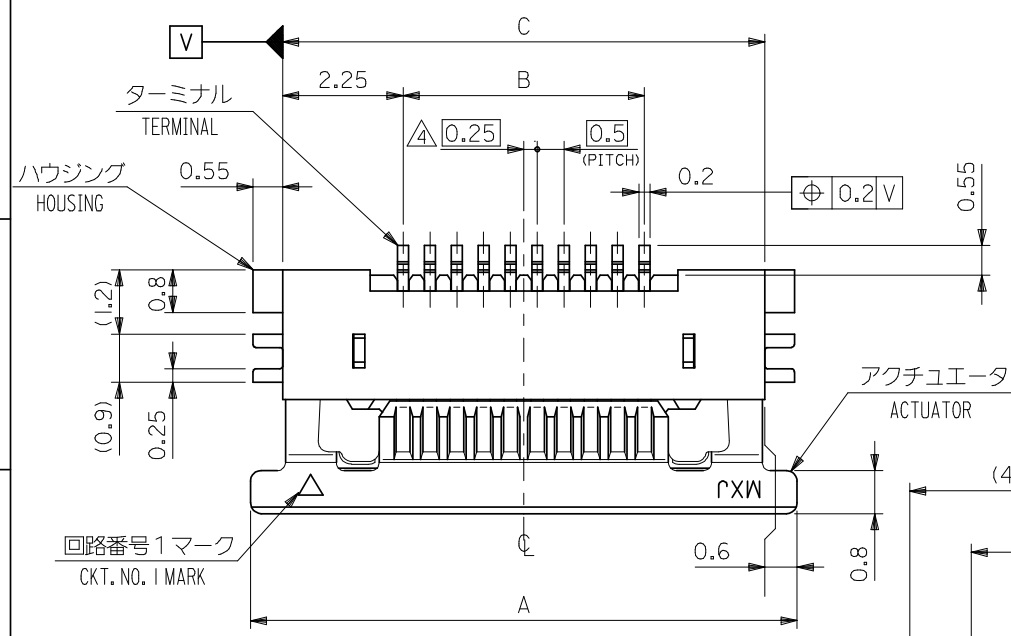
Contact us

Tel: +86-755-8981 8866 Fax: +86-755-8427 6832

Email & Skype: info@chipsmall.com Web: www.chipsmall.com

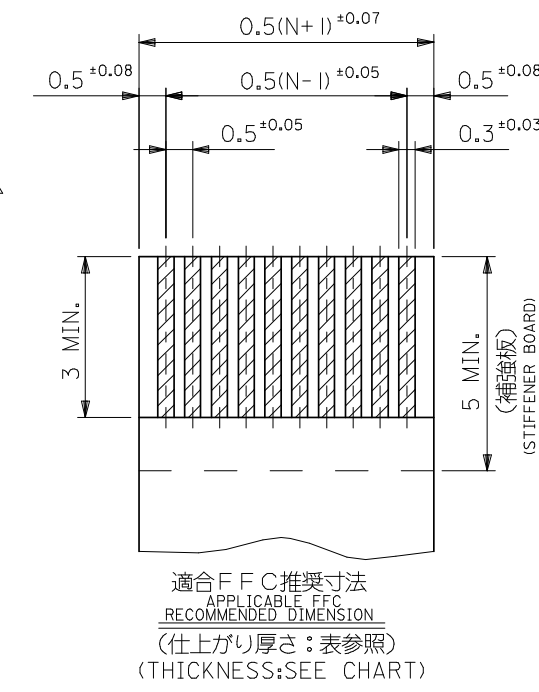
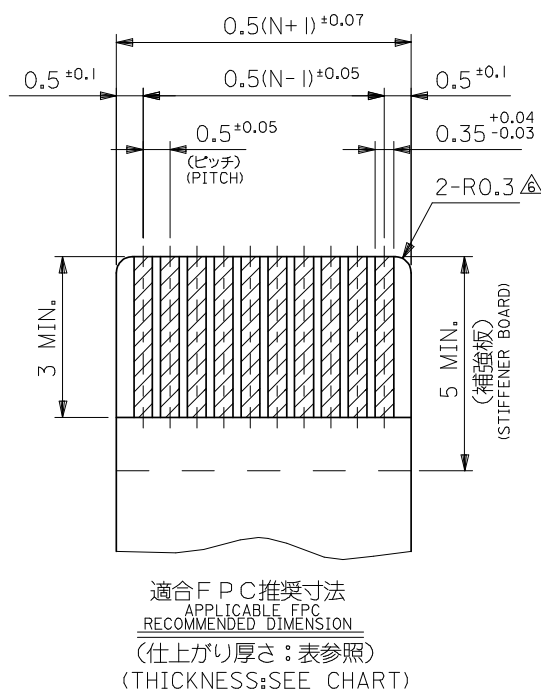
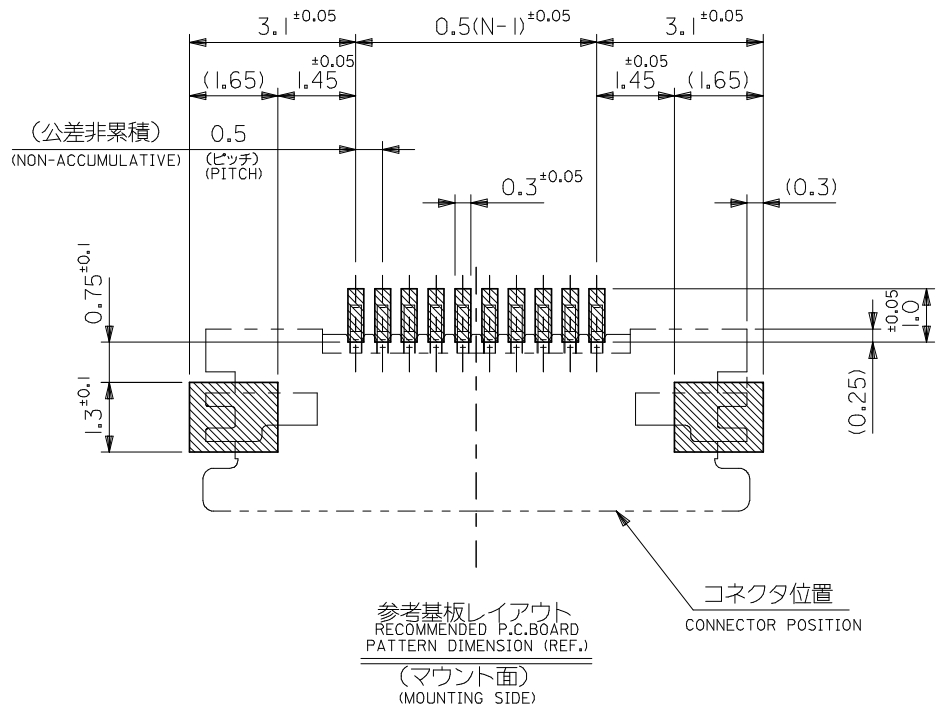
Address: A1208, Overseas Decoration Building, #122 Zhenhua RD., Futian, Shenzhen, China





0.3 ±0.03	0.28 ±0.03	13.65	17	12.5	18.2	54548-2670	54548-2619	26
		12.65	16	11.5	17.2	54548-2470	54548-2419	24
		11.65	15	10.5	16.2	54548-2270	54548-2219	22
		11.15	14.5	10	15.7	54548-2170	54548-2119	21
		10.65	14	9.5	15.2	54548-2070	54548-2019	20
		10.15	13.5	9	14.7	54548-1970	54548-1919	19
		9.65	13	8.5	14.2	54548-1870	54548-1819	18
		9.15	12.5	8	13.7	54548-1770	54548-1719	17
		8.65	12	7.5	13.2	54548-1670	54548-1619	16
		8.15	11.5	7	12.7	54548-1570	54548-1519	15
		7.65	11	6.5	12.2	54548-1470	54548-1419	14
		7.15	10.5	6	11.7	54548-1370	54548-1319	13
		6.65	10	5.5	11.2	54548-1270	54548-1219	12
	6.15	9.5	5	10.7	54548-1170	54548-1119	11	
	5.65	9	4.5	10.2	54548-1070	54548-1019	10	
	5.15	8.5	4	9.7	54548-0970	54548-0919	9	
	4.65	8	3.5	9.2	54548-0870	54548-0819	8	
	4.15	7.5	3	8.7	54548-0770	54548-0719	7	
	3.65	7	2.5	8.2	54548-0670	54548-0619	6	
	3.15	6.5	2	7.7	54548-0570	54548-0519	5	
	2.65	6.0	1.5	7.2	54548-0470	54548-0419	4	
THICKNESS OF FPC	D	C	B	A	EMBOSSED TAPE ORDER No. オ-ダ-番	製品番号 MATERIAL No.	極致 CIRCUIT	

REVISED EC NO: J2008-4048 DRWN: WABEI 2008/06/13 CHKD: THARYAMA 2008/06/16 APPR: NUKITA 2008/06/16	GENERAL TOLERANCES (UNLESS SPECIFIED)		DIMENSION STYLE MM ONLY		SCALE 10:1		DESIGN UNITS METRIC		THIRD ANGLE PROJECTION	
	10 UNDER	±0.2	DRAWN BY	DATE	TITLE					
	10 OVER 30 UNDER	±0.25	Y. WADA	2004/01/09	0.5 FPC CONN ZIF HSG ASSY FOR SMT RA BTM CONT -LEAD FREE-					
	30 OVER	±0.3	M. SASAO	2004/01/09						
	ANGULAR ±3°		APPROVED BY		DATE		MOLEX INCORPORATED		MODEL NO.	
DRAFT WHERE APPLICABLE MUST REMAIN WITHIN DIMENSIONS		M. SASAO		2004/01/09		DOCUMENT NO.		SHEET NO.		
		SEE TABLE		SD-54548-037				1 OF 2		
THIS DRAWING CONTAINS INFORMATION THAT IS PROPRIETARY TO MOLEX INCORPORATED AND SHOULD NOT BE USED WITHOUT WRITTEN PERMISSION										



注記 NOTES

1. 使用材料 MATERIAL
- ハウジング : LCP, UL94V-0
HOUSING
- アクチュエータ : PPS, UL94V-0
ACTUATOR
- ターミナル : リン青銅 (t=0.2)、ニッケル下地 鍍ビスマスマッキ
TERMINAL PHOSPHOR BRONZE, TIN-BISMUTH OVER NICKEL PLATING.
- 金具 : リン青銅 (t=0.2)、ニッケル下地 鍍メッキ
FITTING NAIL PHOSPHOR BRONZE, PURE-TIN OVER NICKEL PLATING.
2. エンボステーブ梱包時は、アクチュエータがロックした状態とする。
IN THE PACKAGE, ACTUATOR OF PART NO.54548-**19 SHOULD BE LOCKED.
- △ ソルダータール半田付け面のズレ量、及び金具半田付け面のズレ量は、基準面 Z に対し上方向 0 MAX.、下方向 0.15 MAX. とし
相互のバラツキ量は 0.1 MAX. とする。
MISALIGNMENT OF SOLDER TAILS AND FITTING NAILS FROM Z
UPPER DIRECTION: 0 MAX., LOWER DIRECTION: 0.15 MAX.
OFFSET BETWEEN UPPER AND LOWER 0.1 MAX.
- △ 偶数極に適用。
APPLY FOR EVEN CIRCUIT.
- △ パターンはくり止め用金具
FITTING NAIL FOR PREVENTION OF PEELING
OF P.C.B. PATTERN.
- △ R0.3はFPC導体部にかからないこと
R0.3 MUST NOT BE OVERLAPPED TO PATTERN OF FPC.
7. N: 極数 N: CIRCUIT.

FPC/FFC について:

打ち抜き方向は導体側から補強板側を推奨します。
導体部については軟銅箔35μmまたは50μmを推奨します。

ABOUT FPC/FFC
RECOMMENDED PUNCHER DIRECTION : FROM CONDUCTOR SIDE TO STIFFENER FILM SIDE.
RECOMMENDED CONDUCTOR SPEC :
THICKNESS OF SOFT COPPER FOIL : 35 MICROMETER OR 50 MICROMETER.

FPC について:

補強フィルム材質はポリイミドを推奨します。ベースフィルムは25μmを推奨します。
接着剤は熱硬化接着剤を推奨します。
尚、接着剤の接点部への付着は導通不良の原因になりますので、染み出しが無い様、お願い致します。

ABOUT FPC
RECOMMENDED MATERIAL/THICKNESS.
STIFFENER FILM : POLYIMIDE
BASE FILM THICKNESS : 25μm
BONDING AGENT : THERMOSETTING BONDING AGENT
PLEASE PUT APPROPRIATE AMOUNT OF ADHESIVE ON THE CONTACT AREA BECAUSE THE EXTRA ADHESIVE MAY CAUSE THE DEFECT IN ELECTRICAL CONTINUITY.

REVISED EC NO: J2008-4048 DRWN: NABEI 2008/06/13 CHKD: THARUYAMA 2008/06/16 APPR: NUKITA 2008/06/16	DESCRIPTION	GENERAL TOLERANCES (UNLESS SPECIFIED)		DIMENSION STYLE MM ONLY		SCALE ---	DESIGN UNITS METRIC	MODEL No. 54548-**19	THIRD ANGLE PROJECTION
		10 UNDER	±0.2	DRAWN BY Y. WADA	DATE 2004/01/09	TITLE 0.5 FPC CONN ZIF HSG ASSY FOR SMT RA BTM CONT -LEAD FREE-			
		10 OVER 30 UNDER	±0.25	CHECKED BY M. SASAO	DATE 2004/01/09	APPROVED BY M. SASAO			
		30 OVER	±0.3	MATERIAL NO. SEE SHEET 1		DOCUMENT NO. SD-54548-037		SHEET NO. 2 OF 2	
DRAFT WHERE APPLICABLE MUST REMAIN WITHIN DIMENSIONS		THIS DRAWING CONTAINS INFORMATION THAT IS PROPRIETARY TO MOLEX INCORPORATED AND SHOULD NOT BE USED WITHOUT WRITTEN PERMISSION							

F

E

D

C

B

A

F

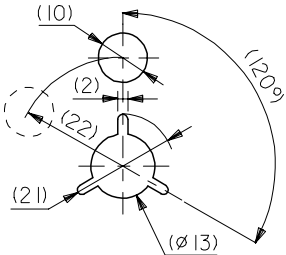
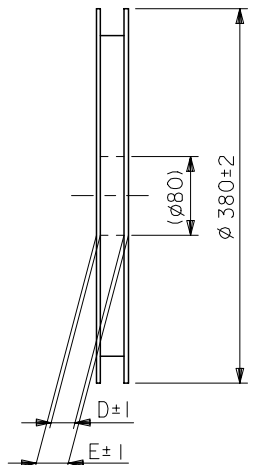
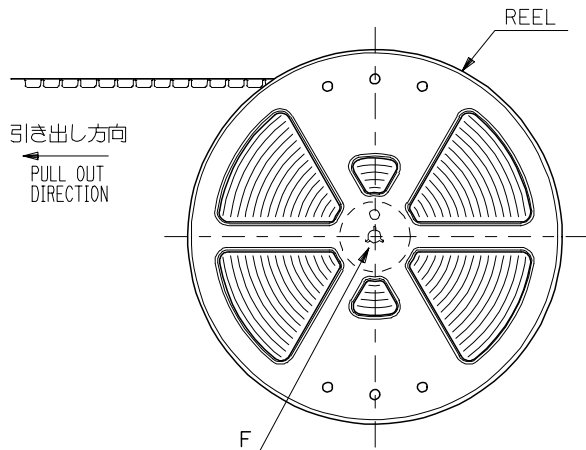
E

D

C

B

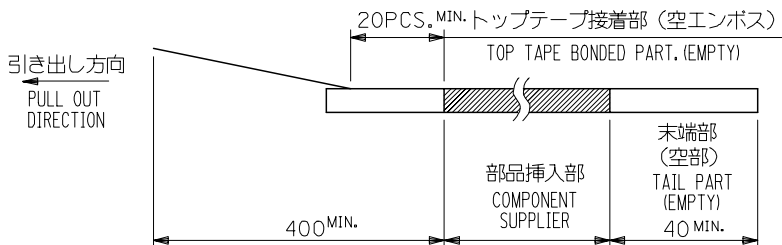
A



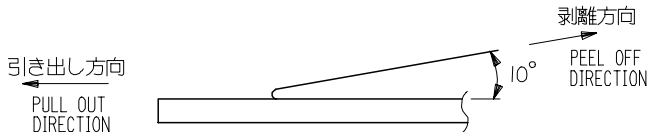
DETAIL F

NOTES

- 製品詳細寸法については図面 SD-54548-037 を参照下さい。
RE DETAILED DIMENSION, SEE SD-54548-037.
- 梱包数量：3000個/リール
NUMBER OF CONNECTORS : 3000PCS/REEL
- リードテープ長さ LEAD TAPE LENGTH



- トップテープの剥離強度：0.1N ~ 1.3N { 10gf ~ 130gf }
(剥離方向は下図参照)
尚、本規格値は出荷時に適用。(但し、輸送時に剥離が発生しないこと。)
PEELING OFF FORCE OF TOP TAPE : 0.1N ~ 1.3N (10gf ~ 130gf)
(PEELING DIRECTION AS SHOWN IN FOLLOWING FIG.)
THIS REQUIREMENT SHOULD BE APPLIED AT SHIPMENT.
PEEL OFF SHOULD NOT BE ALLOWED , DURING TRANSPORTATION.



- 材料 (MATERIAL)
キャリアテープ (CARRIER TAPE) : ポリプロピレン (POLYPROPYLENE)
トップテープ (TOPTAPE) : PET , PE , PEF
リール (REEL) : ポリスチレン (PS) <リサイクル材を含む>
POLYSTYRENE (PS) <RECYCLE MATERIAL CONTAINED>
- 本製品は54548-**-90の鉛フリー品である。
THIS PRODUCT IS LEAD FREE OF 54548-**-90.

REVISED EC NO: J2005-2516 DRAWN: NABEI 2005/02/28 CHYKD: TOYODA 2005/02/28 APPR: NUKITA 2005/03/07 REV:	GENERAL TOLERANCES (UNLESS SPECIFIED)		DIMENSION STYLE MM ONLY		54548-**-70		MODEL NO.	
	10 UNDER ±0.2		DRAWN BY DATE Y. WADA 2004/01/09		SCALE ---		DESIGN UNITS METRIC	
	10 OVER 30 UNDER ±0.25		CHECKED BY DATE M. SASAO 2004/01/09		THIRD ANGLE PROJECTION		EMBSTP PKG FOR 0.5 FPC CONN ZIF HSG ASSY -LEAD FREE-	
	30 OVER ±0.3		APPROVED BY DATE M. SASAO 2004/01/09		MOLEX INCORPORATED			
	ANGULAR ±3 °		MATERIAL NO. SEE CHART		DOCUMENT NO. SD-54548-038		SHEET NO. 1 OF 4	
DRAFT WHERE APPLICABLE MUST REMAIN WITHIN DIMENSIONS		SIZE A3		THIS DRAWING CONTAINS INFORMATION THAT IS PROPRIETARY TO MOLEX INCORPORATED AND SHOULD NOT BE USED WITHOUT WRITTEN PERMISSION				

10 9 8 7 6 5 4 3 2 1

F

E

D

C

B

A

F

E

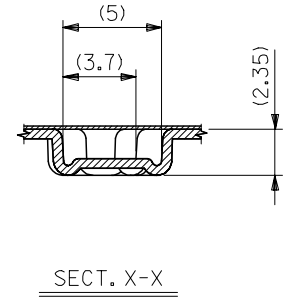
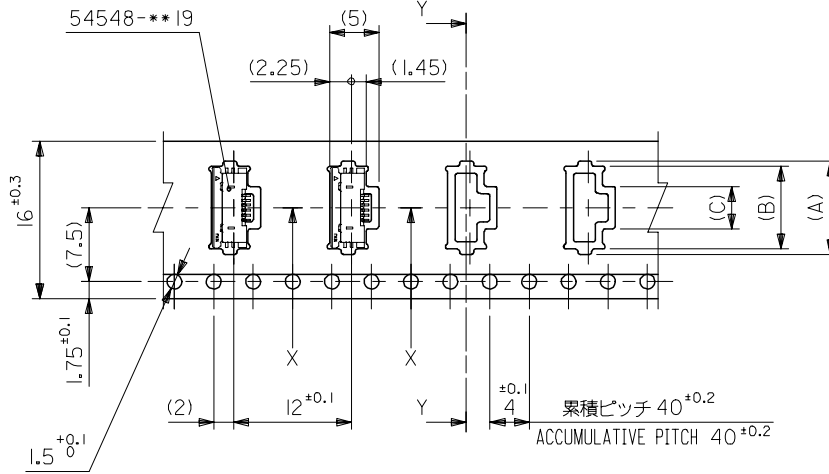
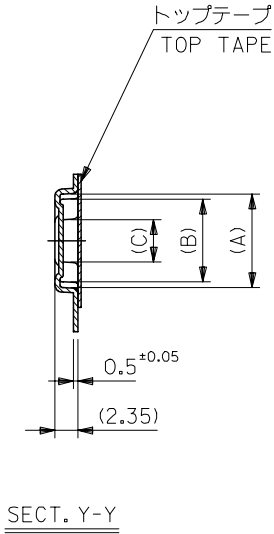
D

C

B

A

引き出し方向
PULL OUT DIRECTION



16mm幅キャリアテープ
16mm WIDTH CARRIER TAPE

16	21.4	17.4	4.3	8.4	9.5	54548-0670	6
			3.8	7.9	9	54548-0570	5
			3.3	7.4	8.5	54548-0470	4
キャリアテープ幅 CARRIER TAPE WIDTH	E	D	(C)	(B)	(A)	製品番号 MATERIAL No.	極数 CIRCUIT

54548-***70 MODEL NO.

REVISED EC No: J2005-2516 DRAWN: NABEI 2005/02/28 CHYKD: TOYODA 2005/02/28 APPR: NUKITA 2005/03/07	GENERAL TOLERANCES (UNLESS SPECIFIED)		DIMENSION STYLE MM ONLY		SCALE 2:1	DESIGN UNITS METRIC	THIRD ANGLE PROJECTION	
	10 UNDER	± 0.2	DRAWN BY Y. WADA		DATE 2004/01/09		TITLE EMBSTP PKG FOR 0.5 FPC CONN ZIF HSG ASSY -LEAD FREE-	
	10 OVER 30 UNDER	± 0.25	CHECKED BY M. SASAO		DATE 2004/01/09		MOLEX INCORPORATED	
	30 OVER	± 0.3	APPROVED BY M. SASAO		DATE 2004/01/09		DOCUMENT NO. SD-54548-038	
	ANGULAR	± 3 °	MATERIAL NO. SEE CHART		SHEET NO. 2 OF 4			
DRAFT WHERE APPLICABLE MUST REMAIN WITHIN DIMENSIONS			SIZE A3		THIS DRAWING CONTAINS INFORMATION THAT IS PROPRIETARY TO MOLEX INCORPORATED AND SHOULD NOT BE USED WITHOUT WRITTEN PERMISSION			

9

8

7

6

5

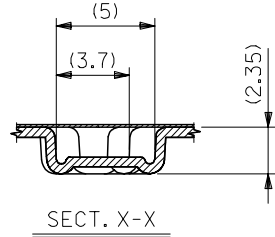
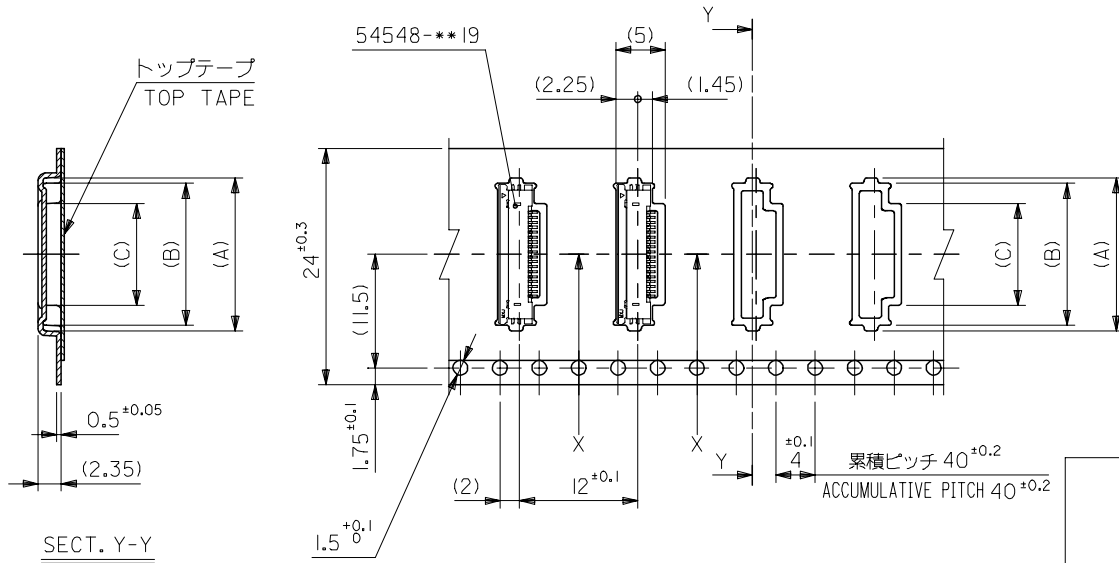
4

3

2

10 9 8 7 6 5 4 3 2 1

引き出し方向
PULL OUT DIRECTION



SECT. Y-Y

24mm幅キャリアテープ
24mm WIDTH CARRIER TAPE

24	29.4	25.4	12.3	16.4	17.5	54548-2270	22
			11.8	15.9	17	54548-2170	21
			11.3	15.4	16.5	54548-2070	20
			10.8	14.9	16	54548-1970	19
			10.3	14.4	15.5	54548-1870	18
			9.8	13.9	15	54548-1770	17
			9.3	13.4	14.5	54548-1670	16
			8.8	12.9	14	54548-1570	15
			8.3	12.4	13.5	54548-1470	14
			7.8	11.9	13	54548-1370	13
			7.3	11.4	12.5	54548-1270	12
			6.8	10.9	12	54548-1170	11
			6.3	10.4	11.5	54548-1070	10
			5.8	9.9	11	54548-0970	9
5.3	9.4	10.5	54548-0870	8			
4.8	8.9	10	54548-0770	7			
キャリアテープ幅 CARRIER TAPE WIDTH			(C)	(B)	(A)	製品番号 MATERIAL No.	極数 CIRCUIT

REVISED EC No: J2005-2516 DRAWN: MABEI 2005/02/28 CHKD: KTOYODA 2005/02/28 APPR: NUKITA 2005/03/07	GENERAL TOLERANCES (UNLESS SPECIFIED)		DIMENSION STYLE MM ONLY		SCALE 2:1	DESIGN UNITS METRIC	THIRD ANGLE PROJECTION	
	10 UNDER	±0.2	DRAWN BY Y. WADA		DATE 2004/01/09		TITLE EMBSTP PKG FOR 0.5 FPC CONN ZIF HSG ASSY -LEAD FREE-	
	10 OVER 30 UNDER	±0.25	CHECKED BY M. SASAO		DATE 2004/01/09		MOLEX INCORPORATED	
	30 OVER	±0.3	APPROVED BY M. SASAO		DATE 2004/01/09		DOCUMENT NO. SD-54548-038	
	ANGULAR	±3 °	MATERIAL NO. SEE CHART		SHEET NO. 3 OF 4		THIS DRAWING CONTAINS INFORMATION THAT IS PROPRIETARY TO MOLEX INCORPORATED AND SHOULD NOT BE USED WITHOUT WRITTEN PERMISSION	

10 9 8 7 6 5 4 3 2 1

F

E

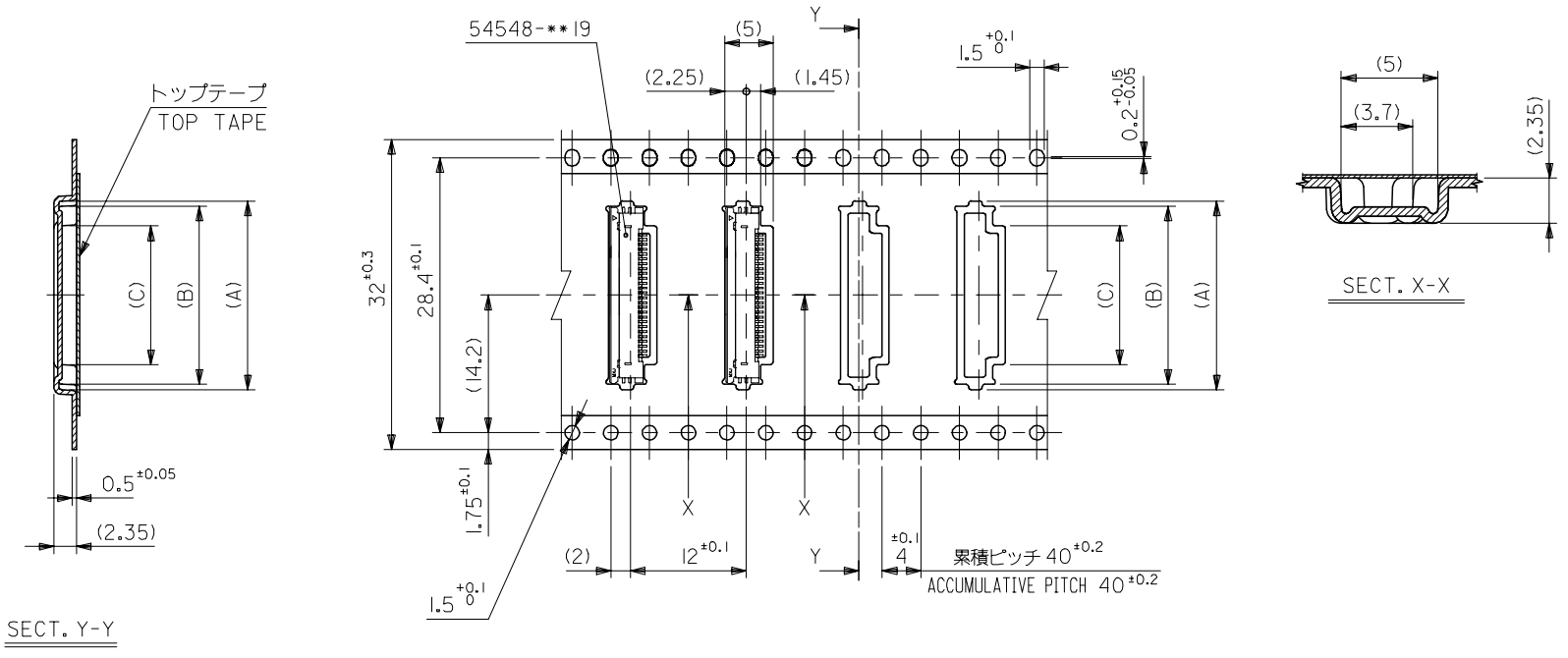
D

C

B

A

引き出し方向
PULL OUT DIRECTION



32mm幅キャリアテープ
32mm WIDTH CARRIER TAPE

32	37.4	33.4	14.3	18.4	19.5	54548-2670	26
キャリアテープ幅 CARRIER TAPE WIDTH	E	D	(C)	(B)	(A)	54548-2470	24
						製品番号 MATERIAL No.	極数 CIRCUIT

REVISED EC NO: J2005-2516 DRAWN: NABEI 2005/02/28 CHKD: KTOYODA 2005/02/28 APPR: NUKITA 2005/03/07	GENERAL TOLERANCES (UNLESS SPECIFIED)		DIMENSION STYLE MM ONLY		SCALE 2:1	DESIGN UNITS METRIC	THIRD ANGLE PROJECTION
	10 UNDER	±0.2	DRAWN BY Y. WADA	DATE 2004/01/09	TITLE EMBSTP PKG FOR 0.5 FPC CONN ZIF HSG ASSY -LEAD FREE-		
	10 OVER 30 UNDER	±0.25	CHECKED BY M. SASAO	DATE 2004/01/09			
	30 OVER	±0.3	APPROVED BY M. SASAO	DATE 2004/01/09	MOLEX INCORPORATED DOCUMENT NO. SD-54548-038		
ANGULAR	±3 °	MATERIAL NO. SEE CHART		SHEET NO. 4 OF 4			
DRAFT WHERE APPLICABLE MUST REMAIN WITHIN DIMENSIONS		THIS DRAWING CONTAINS INFORMATION THAT IS PROPRIETARY TO MOLEX INCORPORATED AND SHOULD NOT BE USED WITHOUT WRITTEN PERMISSION					