



Chipsmall Limited consists of a professional team with an average of over 10 year of expertise in the distribution of electronic components. Based in Hongkong, we have already established firm and mutual-benefit business relationships with customers from,Europe,America and south Asia,supplying obsolete and hard-to-find components to meet their specific needs.

With the principle of “Quality Parts,Customers Priority,Honest Operation,and Considerate Service”,our business mainly focus on the distribution of electronic components. Line cards we deal with include Microchip,ALPS,ROHM,Xilinx,Pulse,ON,Everlight and Freescale. Main products comprise IC,Modules,Potentiometer,IC Socket,Relay,Connector.Our parts cover such applications as commercial,industrial, and automotives areas.

We are looking forward to setting up business relationship with you and hope to provide you with the best service and solution. Let us make a better world for our industry!



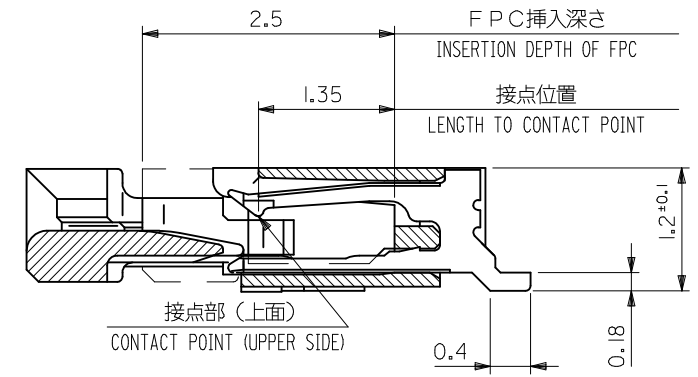
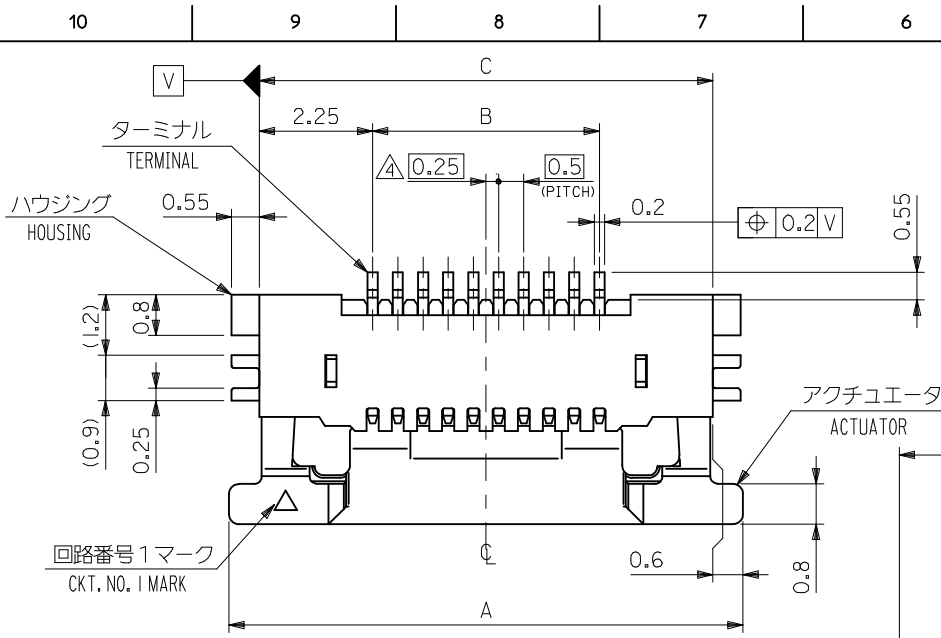
Contact us

Tel: +86-755-8981 8866 Fax: +86-755-8427 6832

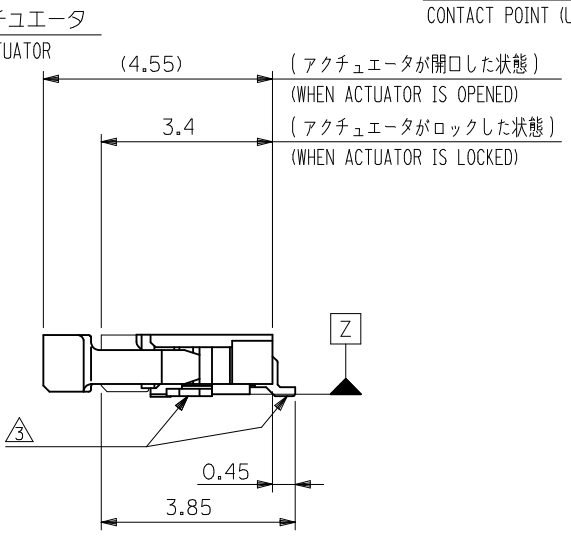
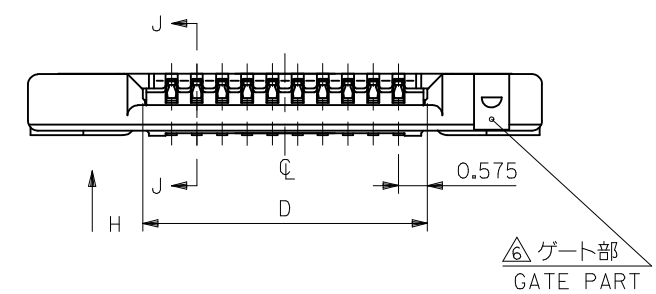
Email & Skype: info@chipsmall.com Web: www.chipsmall.com

Address: A1208, Overseas Decoration Building, #122 Zhenhua RD., Futian, Shenzhen, China





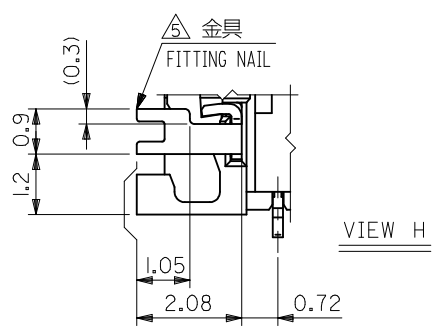
SECT. J-J
SCALE 20:1



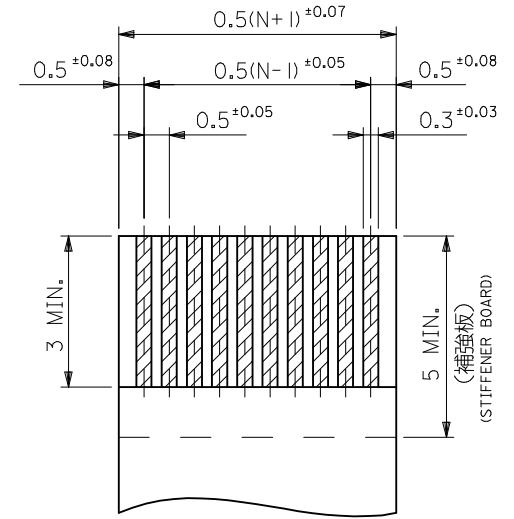
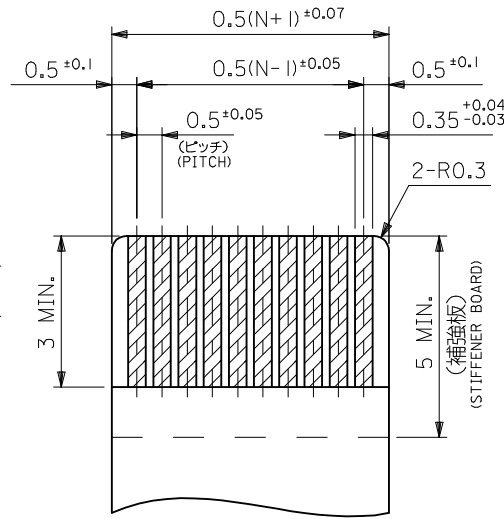
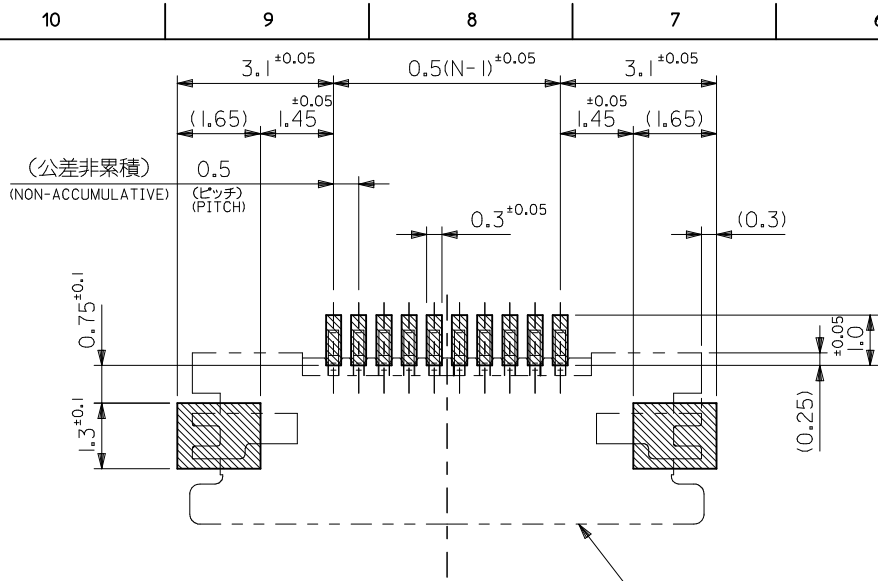
| | | | | | |
|-------|------|------|------|------------|----|
| 13.65 | 17 | 12.5 | 18.2 | 54550-2671 | 26 |
| 12.65 | 16 | 11.5 | 17.2 | 54550-2471 | 24 |
| 11.65 | 15 | 10.5 | 16.2 | 54550-2271 | 22 |
| 11.15 | 14.5 | 10 | 15.7 | 54550-2171 | 21 |
| 10.65 | 14 | 9.5 | 15.2 | 54550-2071 | 20 |
| 10.15 | 13.5 | 9 | 14.7 | 54550-1971 | 19 |
| 9.65 | 13 | 8.5 | 14.2 | 54550-1871 | 18 |
| 9.15 | 12.5 | 8 | 13.7 | 54550-1771 | 17 |
| 8.65 | 12 | 7.5 | 13.2 | 54550-1671 | 16 |
| 7.65 | 11 | 6.5 | 12.2 | 54550-1471 | 14 |
| 7.15 | 10.5 | 6 | 11.7 | 54550-1371 | 13 |
| 6.65 | 10 | 5.5 | 11.2 | 54550-1271 | 12 |
| 6.15 | 9.5 | 5 | 10.7 | 54550-1171 | 11 |
| 5.65 | 9 | 4.5 | 10.2 | 54550-1071 | 10 |
| 5.15 | 8.5 | 4 | 9.7 | 54550-0971 | 9 |
| 4.65 | 8 | 3.5 | 9.2 | 54550-0871 | 8 |
| 4.15 | 7.5 | 3 | 8.7 | 54550-0771 | 7 |
| 3.65 | 7 | 2.5 | 8.2 | 54550-0671 | 6 |
| 3.15 | 6.5 | 2 | 7.7 | 54550-0571 | 5 |
| 2.65 | 6 | 1.5 | 7.2 | 54550-0471 | 4 |

THICKNESS OF FPC D C B A EMBOSSED TAPE ORDER No. オーダー番号 極数 Ckt

CONNECTOR SERIES NO. 54550-**29



| | | | | | | |
|---|---|-----------------------------------|----------------------|---|------------------------|--|
| REVISED EC NO: J2010-1202 DRWN: TONO 2009/12/11 CHKD: HSHIMOMIYAMA 2009/12/11 APPR: KMORIKAWA 2009/12/14 M | DESCRIPTION GENERAL TOLERANCES (UNLESS SPECIFIED) 10 UNDER ±0.2 10 OVER 30 UNDER ±0.25 30 OVER ±0.3 ANGULAR ±3 ° DRAFT WHERE APPLICABLE MUST REMAIN WITHIN DIMENSIONS | DIMENSION STYLE MM ONLY | SCALE 10:1 | DESIGN UNITS METRIC | THIRD ANGLE PROJECTION | |
| | | DRAWN BY M. NINOMIYA | DATE 2004/02/12 | TITLE 0.5 FPC CONN. HSG ASSY FOR SMT RA U/CONTACT | | |
| | | CHECKED BY K. TOJO | DATE 2004/02/12 | MOLEX INCORPORATED | | |
| | | APPROVED BY M. SASAO | DATE 2004/02/12 | DOCUMENT NO. SD-54550-042 | SHEET NO. 1 OF 2 | |
| | | MATERIAL NO. SEE TABLE | | THIS DRAWING CONTAINS INFORMATION THAT IS PROPRIETARY TO MOLEX INCORPORATED AND SHOULD NOT BE USED WITHOUT WRITTEN PERMISSION | | |



(公差非累積)
(NON-ACCUMULATIVE)

参考基板レイアウト
RECOMMENDED P.C.BOARD
PATTERN DIMENSION (REF.)

コネクタ位置
CONNECTOR POSITION

適合FPC推奨寸法
APPLICABLE FPC
RECOMMENDED DIMENSION

(仕上がり厚さ:表参照)
(THICKNESS:SEE CHART)

適合FFC推奨寸法
APPLICABLE FFC
RECOMMENDED DIMENSION

(仕上がり厚さ:表参照)
(THICKNESS:SEE CHART)

注記 NOTES

1. 使用材料 MATERIAL

ハウジング : LCP, UL94V-0
HOUSING

アクチュエータ : PPS, UL94V-0
ACTUATOR

ターミナル : リン青銅
TERMINAL PHOSPHOR BRONZE

メッキ : 接点部:金メッキ
PLATING CONTACT PORTION : GOLD PLATING

: 半田付部:錫メッキ
SOLDERING PORTION : TIN PLATING

: 下地:ニッケルメッキ
UNDER PLATING : NICKEL PLATING

金具 : リン青銅, ニッケル下地 錫メッキ
FITTING NAIL PHOSPHOR BRONZE, TIN OVER NICKEL PLATING

2. エンボステープ梱包時は、アクチュエータがロックした状態とする。
IN THE PACKAGE, ACTUATOR OF PART NO.54550-**29 SHOULD BE LOCKED.

△ソルダーテール半田付け面のズレ量、及び金具半田付け面のズレ量は、基準面 Z に対し上方向 OMAX.、下方向 0.15MAX.とし

相互のバラッキ量は0.1MAX.とする。
MISALIGNMENT OF SOLDER TAILS AND FITTING NAILS FROM UPPER DIRECTION: 0 MAX., LOWER DIRECTION: 0.15 MAX.

OFFSET BETWEEN UPPER AND LOWER 0.1 MAX.

△偶数極に適用。
APPLY FOR EVEN CIRCUIT.

△パターンはくり止め用金具
FITTING NAIL FOR PREVENTION OF PEELING OF P.C.B. PATTERN.

△ゲート部は、左右どちらか一方にあるものとする。
A GATE PART -- RIGHT AND LEFT -- IT SHALL BE IN EITHER.

7. 本製品は 54550-**27 の鉛フリー品である。
THIS PRODUCT IS LEAD FREE OF 54550-**27.

8. N: 極数 N: CIRCUIT.

9. ELV 及び RoHS 適合品 / ELV AND RoHS COMPLIANT.

FPC/FFC について:

打ち抜き方向は導体側から補強板側を推奨します。
導体部については軟銅箔35µmまたは50µmを推奨します。

ABOUT FPC/FFC
RECOMMENDED PUNCHER DIRECTION : FROM CONDUCTOR SIDE TO STIFFENER FILM SIDE.
RECOMMENDED CONDUCTOR SPEC :
THICKNESS OF SOFT COPPER FOIL : 35 MICROMETER OR 50 MICROMETER.

FPC について:

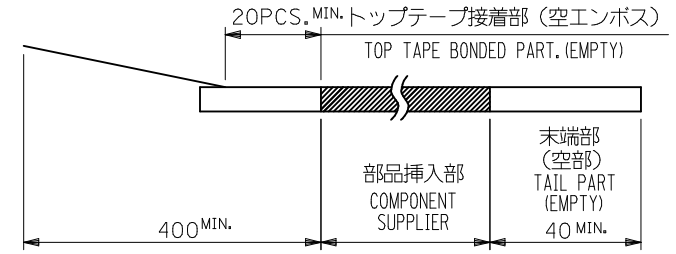
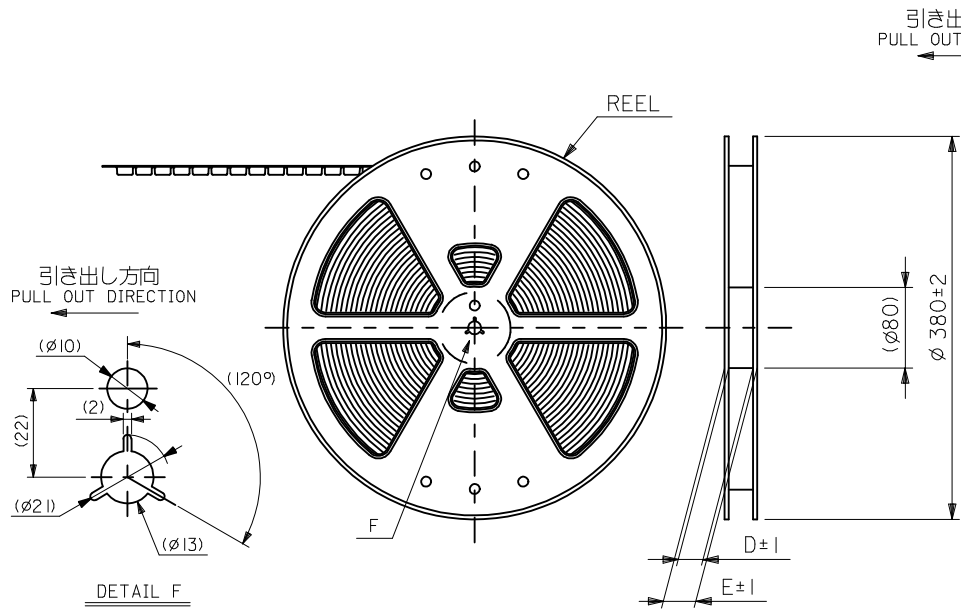
補強フィルム材質はポリイミドを推奨します。ベースフィルムは25µmを推奨します。
接着剤は熱硬化接着剤を推奨します。
尚、接着剤の接点部への付着は導通不良の原因になりますので、染み出しが無い様、お願い致します。

ABOUT FPC
RECOMMENDED MATERIAL/THICKNESS.
STIFFENER FILM : POLYIMIDE
BASE FILM THICKNESS : 25µm
BONDING AGENT : THERMOSETTING BONDING AGENT
PLEASE PUT APPROPRIATE AMOUNT OF ADHESIVE ON THE CONTACT AREA BECAUSE THE EXTRA ADHESIVE MAY CAUSE THE DEFECT IN ELECTRICAL CONTINUITY.

| | | | | | | | | | |
|---|-------------|---------------------------------------|--|----------------------------|--------------------|--|------------------------------|------------------------|--|
| REVISED EC NO: J2010-1202 DRWN: TONO 2009/12/11 CHKD: HSHIMOIYAMA 2009/12/11 APPR: KMORIKAWA 2009/12/14 | DESCRIPTION | GENERAL TOLERANCES (UNLESS SPECIFIED) | | DIMENSION STYLE MM ONLY | | SCALE --- | DESIGN UNITS METRIC | THIRD ANGLE PROJECTION | |
| | | 10 UNDER | ±0.2 | DRAWN BY M. NINOMIYA | DATE 2004/02/12 | TITLE 0.5 FPC CONN. HSG ASSY FOR SMT RA U/CONTACT | | | |
| | | 10 OVER 30 UNDER | ±0.25 | CHECKED BY K. TOJO | DATE 2004/02/12 | | | | |
| | | 30 OVER | ±0.3 | APPROVED BY M. SASAO | DATE 2004/02/12 | MOLEX MOLEX INCORPORATED | | | |
| M | REV | ANGULAR ±3 ° | DRAFT WHERE APPLICABLE MUST REMAIN WITHIN DIMENSIONS | SEE SHEET 1 | | MATERIAL NO. | DOCUMENT NO. SD-54550-042 | SHEET NO. 2 OF 2 | |
| SIZE A3 THIS DRAWING CONTAINS INFORMATION THAT IS PROPRIETARY TO MOLEX INCORPORATED AND SHOULD NOT BE USED WITHOUT WRITTEN PERMISSION | | | | | | | | | |

NOTES

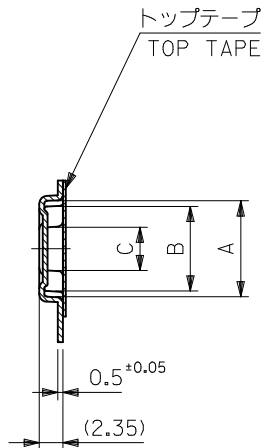
- 製品詳細寸法については図面 SD-54550-042 を参照下さい。
RE DETAILED DIMENSION, SEE SD-54550-042.
- 梱包数量：3000個/リール
NUMBER OF CONNECTORS : 3000PCS/REEL
- リードテープ長さ LEAD TAPE LENGTH



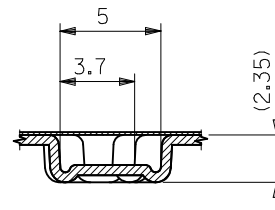
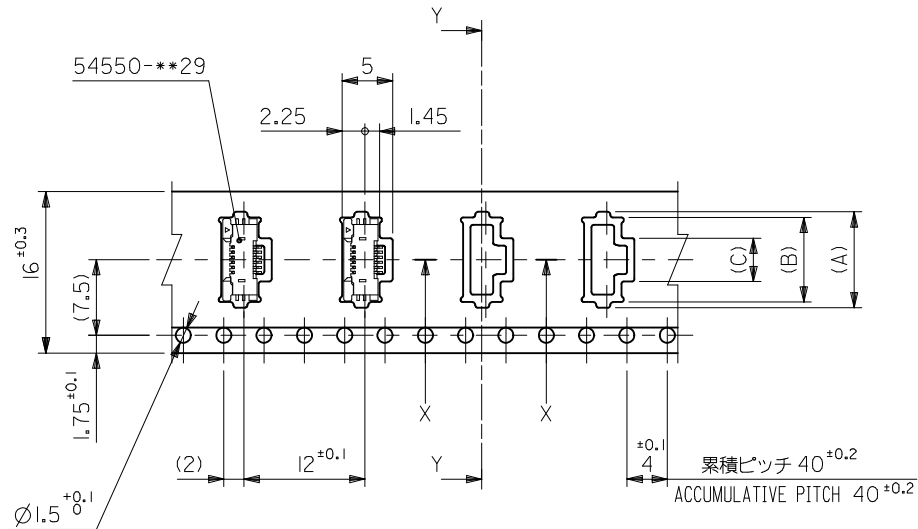
- 材料 (MATERIAL)
キャリアテープ (CARRIER TAPE) : ポリプロピレン (POLYPROPYLENE)
トップテープ (TOPTAPE) : PET, PE, PEF
リール (REEL) : ポリスチレン (P.S) <リサイクル材を含む>
POLYSTYRENE (PS) <RECYCLE MATERIAL CONTAINED>
- 本製品は 54550-***9I の鉛フリー品である。
THIS PRODUCT IS LEAD FREE OF 54550-***9I.
- ELV 及び RoHS 適合品 / ELV AND RoHS COMPLIANT.

| | | | | | | | |
|---|---------------------------------------|--|----------------------------|--------------------|---|------------------------|------------------------|
| REVISED EC NO: J2010-1202 DRWN: TONO 2009/12/11 CHKD: SHIMOMIYAMA 2009/12/11 APPR: KMORIKAWA 2009/12/14 | GENERAL TOLERANCES (UNLESS SPECIFIED) | | DIMENSION STYLE MM ONLY | | SCALE --- | DESIGN UNITS METRIC | THIRD ANGLE PROJECTION |
| | 10 UNDER | ±0.2 | DRAWN BY M. NINOMIYA | DATE 2004/02/12 | TITLE EMBSTP PKG FOR 0.5 FPC CONN ZIF UPR CONT | | |
| | 10 OVER 30 UNDER | ±0.25 | CHECKED BY K. TOJO | DATE 2004/02/12 | | | |
| | 30 OVER | ±0.3 | APPROVED BY M. SASAO | DATE 2004/02/12 | MOLEX INCORPORATED DOCUMENT NO. SD-54550-043 SHEET NO. 1 OF 3 | | |
| ANGULAR ±3 ° | | MATERIAL NO. SEE SHEET 1 OR 2 | | | | | |
| DRAFT WHERE APPLICABLE MUST REMAIN WITHIN DIMENSIONS | | SIZE A3 THIS DRAWING CONTAINS INFORMATION THAT IS PROPRIETARY TO MOLEX INCORPORATED AND SHOULD NOT BE USED WITHOUT WRITTEN PERMISSION | | | | | |

引き出し方向
PULL OUT DIRECTION



SECT. Y-Y



SECT. X-X

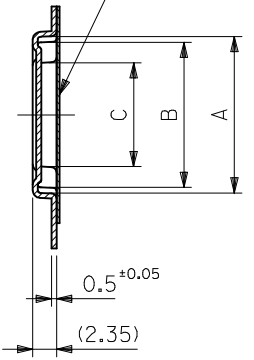
16mm幅キャリアテープ
16mm WIDTH CARRIER TAPE

| | | | | | | | | | |
|--------------------------------|------|------|-----|-----|-----|------------|-----|----------------------|-----------|
| 16 | 21.4 | 17.4 | 4.3 | 8.4 | 9.5 | 54550-0671 | 6 | | |
| | | | 3.8 | 7.9 | 9 | 54550-0571 | 5 | | |
| | | | 3.3 | 7.4 | 8.5 | 54550-0471 | 4 | | |
| キャリアテープ幅 CARRIER TAPE WIDTH | | | E | D | (C) | (B) | (A) | 製品番号 MATERIAL No. | 極数 Ckt |

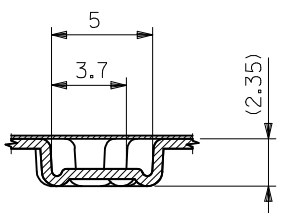
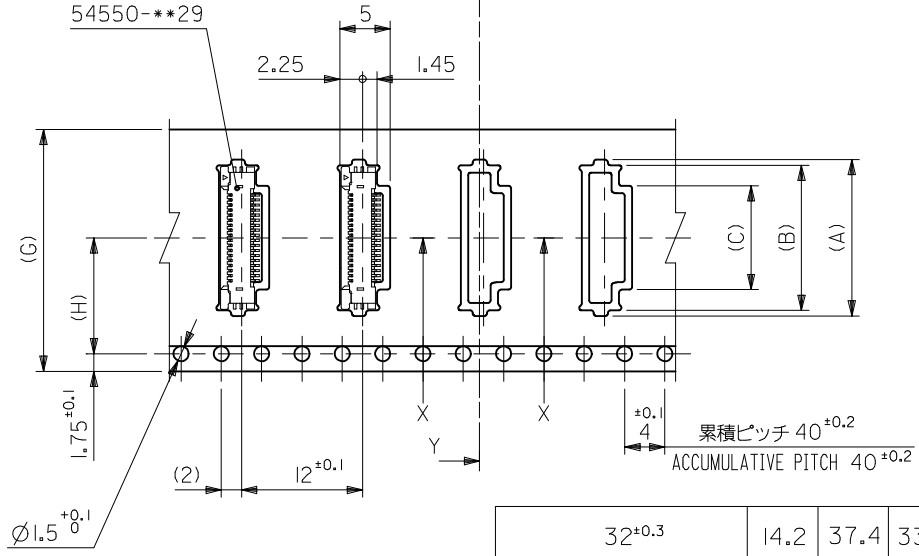
| | | | | | | | | |
|--|---------------------------------------|---------------------------|----------------------------|---|--|------------------------|------------------------|--|
| REVISED EC NO: J2010-1202 DRWN: TONO 2009/12/11 CHKD: HSHIMUYAMA 2009/12/11 APPR: KMORIKAWA 2009/12/14 | GENERAL TOLERANCES (UNLESS SPECIFIED) | | DIMENSION STYLE MM ONLY | | SCALE --- | DESIGN UNITS METRIC | THIRD ANGLE PROJECTION | |
| | 10 UNDER | ± 0.2 | DRAWN BY M. NINOMIYA | DATE 2004/02/12 | TITLE EMBSTP PKG FOR 0.5 FPC CONN ZIF UPR CONT | | | |
| | 10 OVER 30 UNDER | ± 0.25 | CHECKED BY K. TOJO | DATE 2004/02/12 | | | | |
| | 30 OVER | ± 0.3 | APPROVED BY M. SASAO | DATE 2004/02/12 | MOLEX INCORPORATED SD-54550-043 SHEET NO. 2 OF 3 | | | |
| ANGULAR ± 3 ° | | MATERIAL NO. SEE TABLE | | | | | | |
| DRAFT WHERE APPLICABLE MUST REMAIN WITHIN DIMENSIONS | | SIZE A3 | | THIS DRAWING CONTAINS INFORMATION THAT IS PROPRIETARY TO MOLEX INCORPORATED AND SHOULD NOT BE USED WITHOUT WRITTEN PERMISSION | | | | |

引き出し方向
PULL OUT DIRECTION

トップテープ
TOP TAPE



SECT. Y-Y



SECT. X-X

24, 32mm幅キャリアテープ
24mm, 32mm WIDTH CARRIER TAPE

| | | | | | | | | | | | | |
|--------------------|--------------------------------|------|------------|--------------------|------|------|------------|----------------------|-----------|------|------------|----|
| 24 ^{±0.3} | 11.5 | 29.4 | 25.4 | 32 ^{±0.3} | 14.2 | 37.4 | 33.4 | 14.3 | 18.4 | 19.5 | 54550-2671 | 26 |
| | | | | 13.3 | 17.4 | 18.5 | 54550-2471 | 24 | | | | |
| | | | | 12.3 | 16.4 | 17.5 | 54550-2271 | 22 | | | | |
| | | | | 11.8 | 15.9 | 17 | 54550-2171 | 21 | | | | |
| | | | | 11.3 | 15.4 | 16.5 | 54550-2071 | 20 | | | | |
| | | | | 10.8 | 14.9 | 16 | 54550-1971 | 19 | | | | |
| | | | | 10.3 | 14.4 | 15.5 | 54550-1871 | 18 | | | | |
| | | | | 9.8 | 13.9 | 15 | 54550-1771 | 17 | | | | |
| | | | | 9.3 | 13.4 | 14.5 | 54550-1671 | 16 | | | | |
| | | | | 8.3 | 12.4 | 13.5 | 54550-1471 | 14 | | | | |
| | | | | 7.8 | 11.9 | 13 | 54550-1371 | 13 | | | | |
| | | | | 7.3 | 11.4 | 12.5 | 54550-1271 | 12 | | | | |
| | | | | 6.8 | 10.9 | 12 | 54550-1171 | 11 | | | | |
| | | | | 6.3 | 10.4 | 11.5 | 54550-1071 | 10 | | | | |
| 5.8 | 9.9 | 11 | 54550-0971 | 9 | | | | | | | | |
| 5.3 | 9.4 | 10.5 | 54550-0871 | 8 | | | | | | | | |
| 4.8 | 8.9 | 10 | 54550-0771 | 7 | | | | | | | | |
| G | キャリアテープ幅 CARRIER TAPE WIDTH | H | E | D | (C) | (B) | (A) | 製品番号 MATERIAL No. | 極数 Ck+ | | | |

| | | | | | | | | |
|---|---------------------------------------|---------------------------|----------------------------|--|--|------------------------|------------------------|--|
| REVISED EC NO: J2010-1202 DRWN: TONO 2009/12/11 CHKD: SHIMOMIYAMA 2009/12/11 APPR: KMORIKAWA 2009/12/14 | GENERAL TOLERANCES (UNLESS SPECIFIED) | | DIMENSION STYLE MM ONLY | | SCALE --- | DESIGN UNITS METRIC | THIRD ANGLE PROJECTION | |
| | 10 UNDER | ±0.2 | DRAWN BY M. NINOMIYA | DATE 2004/02/12 | TITLE EMBSTP PKG FOR 0.5 FPC CONN ZIF UPR CONT | | | |
| | 10 OVER 30 UNDER | ±0.25 | CHECKED BY K. TOJO | DATE 2004/02/12 | MOLEX INCORPORATED | | | |
| | 30 OVER | ±0.3 | APPROVED BY M. SASAO | DATE 2004/02/12 | DOCUMENT NO. SD-54550-043 | | SHEET NO. 3 OF 3 | |
| ANGULAR | ±3 ° | MATERIAL NO. SEE TABLE | | THIS DRAWING CONTAINS INFORMATION THAT IS PROPRIETARY TO MOLEX INCORPORATED AND SHOULD NOT BE USED WITHOUT WRITTEN PERMISSION | | | | |
| DRAFT WHERE APPLICABLE MUST REMAIN WITHIN DIMENSIONS | | | | | | | | |