



Chipsmall Limited consists of a professional team with an average of over 10 year of expertise in the distribution of electronic components. Based in Hongkong, we have already established firm and mutual-benefit business relationships with customers from,Europe,America and south Asia,supplying obsolete and hard-to-find components to meet their specific needs.

With the principle of “Quality Parts,Customers Priority,Honest Operation,and Considerate Service”,our business mainly focus on the distribution of electronic components. Line cards we deal with include Microchip,ALPS,ROHM,Xilinx,Pulse,ON,Everlight and Freescale. Main products comprise IC,Modules,Potentiometer,IC Socket,Relay,Connector.Our parts cover such applications as commercial,industrial, and automotives areas.

We are looking forward to setting up business relationship with you and hope to provide you with the best service and solution. Let us make a better world for our industry!



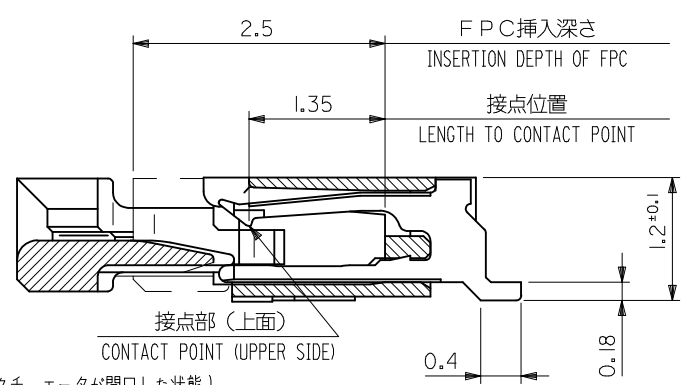
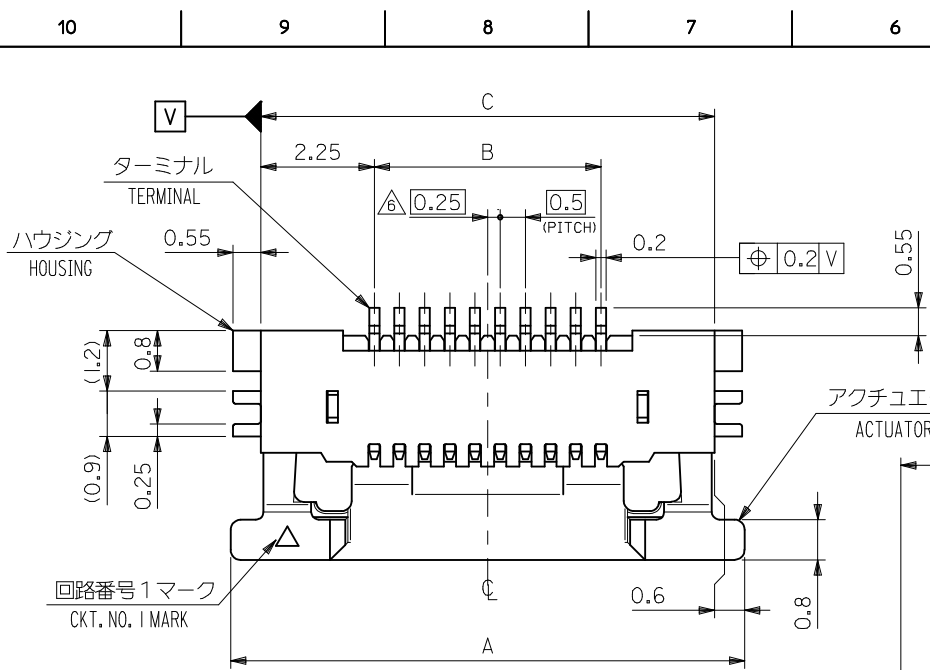
Contact us

Tel: +86-755-8981 8866 Fax: +86-755-8427 6832

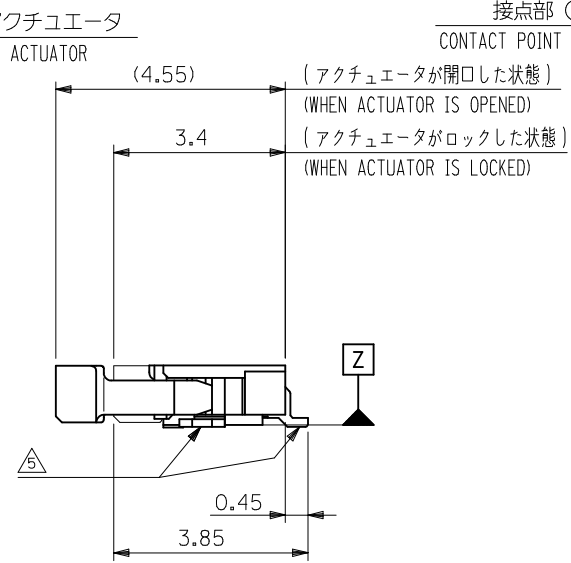
Email & Skype: info@chipsmall.com Web: www.chipsmall.com

Address: A1208, Overseas Decoration Building, #122 Zhenhua RD., Futian, Shenzhen, China



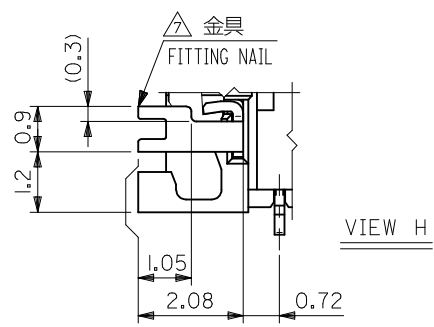


SECT. J-J
 SCALE 20:1



0.28 \pm 0.03	13.65	17	12.5	18.2	54550-2633	26	
	12.65	16	11.5	17.2	54550-2433	24	
	11.65	15	10.5	16.2	54550-2233	22	
	11.15	14.5	10	15.7	54550-2133	21	
	10.65	14	9.5	15.2	54550-2033	20	
	10.15	13.5	9	14.7	54550-1933	19	
	9.65	13	8.5	14.2	54550-1833	18	
	9.15	12.5	8	13.7	54550-1733	17	
	8.65	12	7.5	13.2	54550-1633	16	
	8.15	11.5	7	12.7	54550-1533	15	
	0.3 \pm 0.03	7.65	11	6.5	12.2	54550-1433	14
		7.15	10.5	6	11.7	54550-1333	13
		6.65	10	5.5	11.2	54550-1233	12
		6.15	9.5	5	10.7	54550-1133	11
5.65		9	4.5	10.2	54550-1033	10	
5.15		8.5	4	9.7	54550-0933	9	
4.65	8	3.5	9.2	54550-0833	8		
4.15	7.5	3	8.7	54550-0733	7		
3.65	7	2.5	8.2	54550-0633	6		
3.15	6.5	2	7.7	54550-0533	5		
2.65	6.0	1.5	7.2	54550-0433	4		

THICKNESS OF FPC
 D C B A
 EMBOSSED TAPE 種数
 ORDER No. オ-ダ-番付 Ckt
 CONNECTOR SERIES NO. : 54550-**22

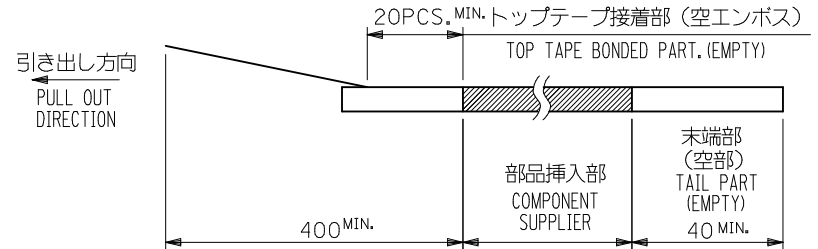


REVISED IEC NO: J2013-1168 DRW: N. SANUMA 2013/04/15 CHK: D. TAKAHASHI 2013/04/16 APPR: K. MORIKAWA 2013/04/25	DESCRIPTION GENERAL TOLERANCES (UNLESS SPECIFIED) 10 UNDER \pm 0.2 10 OVER 30 UNDER \pm 0.25 30 OVER \pm 0.3 ANGULAR \pm 3 ° DRAFT WHERE APPLICABLE MUST REMAIN WITHIN DIMENSIONS	DIMENSION STYLE MM ONLY		SCALE ---	DESIGN UNITS METRIC	THIRD ANGLE PROJECTION	
		DRAWN BY NKONDO	DATE 2012/09/13	TITLE 0.5MM FPC CONN ZIF R/A HOUSING ASSY (UPPER CONTACT)			
		CHECKED BY KTAKAHASHI	DATE 2012/09/13	APPROVED BY KMORIKAWA			DATE 2013/03/15
		MATERIAL NO. SEE CHART		DOCUMENT NO. SD-54550-075			SHEET NO. 1 OF 2

THIS DRAWING CONTAINS INFORMATION THAT IS PROPRIETARY TO MOLEX INCORPORATED AND SHOULD NOT BE USED WITHOUT WRITTEN PERMISSION

NOTES

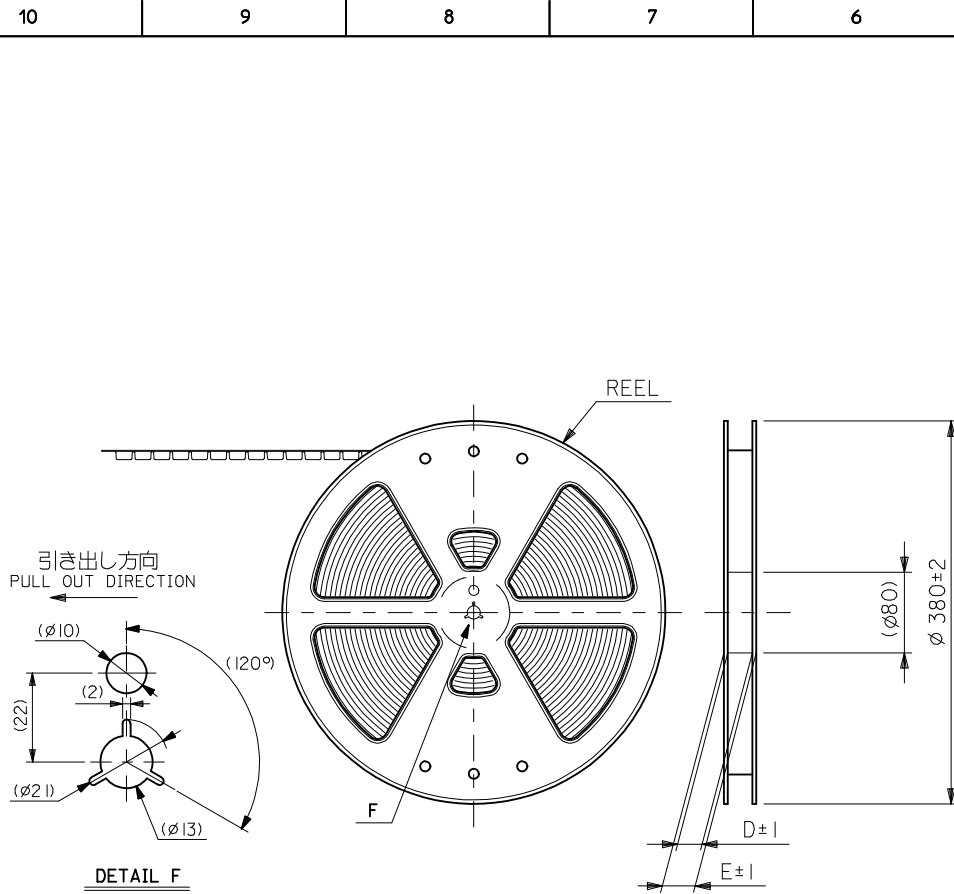
- 製品詳細寸法については図面 54550-**22 を参照下さい。
RE DETAILED DIMENSION, SEE 54550-**22
- 梱包数量：3000個/リール
NUMBER OF CONNECTORS : 3000PCS/REEL
- リードテープ長さ LEAD TAPE LENGTH



- カバートープの剥離強度については、IEC60286-3に準拠
Cover tape peel force is defined by IEC60286-3.

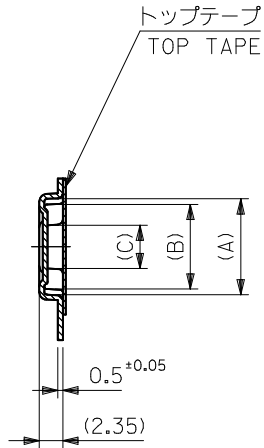
- 材料 (MATERIAL)
キャリアテープ (CARRIER TAPE) : ポリプロピレン (POLYPROPYLENE)
トップテープ (TOPTAPE) : PET, PE, PEF
リール (REEL) : ポリスチレン (PS) <リサイクル材を含む>
POLYSTYRENE (PS) <RECYCLE MATERIAL CONTAINED>

- ELV及びRoHS適合品
ELV AND RoHS COMPLIANT

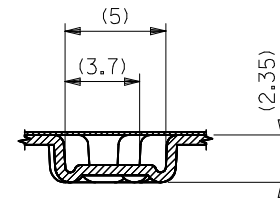
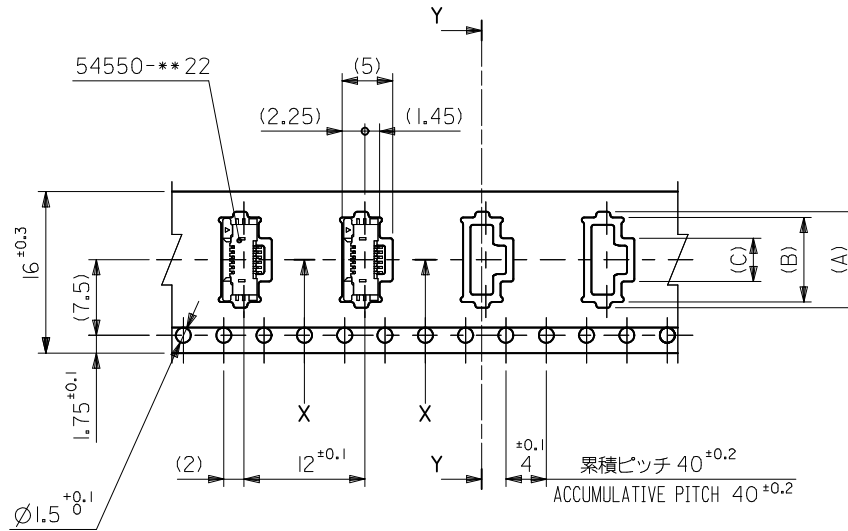


RELEASED EC NO.: J2013-1014 DRWN: NKONDO 2012/09/13 CHKD: KTAKAHASHI 2012/09/13 APPR: KMORIKAWA 2013/03/15	DESCRIPTION REV: 0	GENERAL TOLERANCES (UNLESS SPECIFIED)		DIMENSION STYLE MM ONLY	SCALE ---	54550-**33	MODEL No.	
		10 UNDER	± 0.2	DRAWN BY NKONDO	DATE 2012/09/13	TITLE EMBOSS TAPE PACKAGED FOR 0.5MM FPC CONN ZIF R/A HOUSING ASSY		
		10 OVER 30 UNDER	± 0.25	CHECKED BY KTAKAHASHI	DATE 2012/09/13	THIRD ANGLE PROJECTION		
		30 OVER	± 0.3	APPROVED BY KMORIKAWA	DATE 2013/03/15	DOCUMENT NO. SD-54550-076		
ANGULAR $\pm 3^\circ$		DRAFT WHERE APPLICABLE MUST REMAIN WITHIN DIMENSIONS		MATERIAL NO. SEE CHART	SHEET NO. 1 OF 4			
				SIZE A3	THIS DRAWING CONTAINS INFORMATION THAT IS PROPRIETARY TO MOLEX INCORPORATED AND SHOULD NOT BE USED WITHOUT WRITTEN PERMISSION			

引き出し方向
PULL OUT DIRECTION



SECT. Y-Y



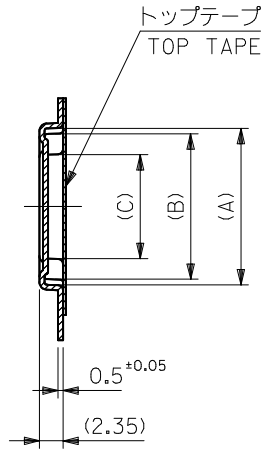
SECT. X-X

16mm幅キャリアテープ
16mm WIDTH CARRIER TAPE

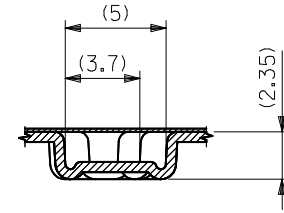
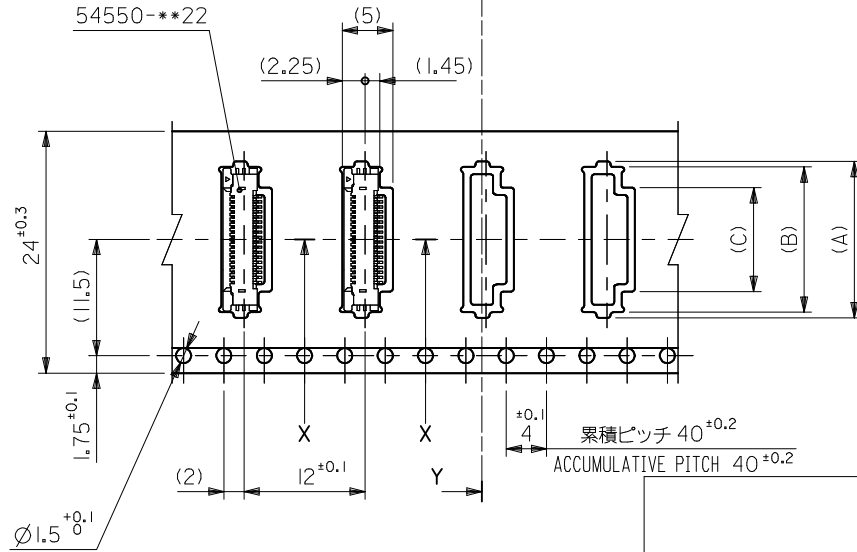
16	21.4	17.4	4.3	8.4	9.5	54550-0633	6	
			3.8	7.9	9	54550-0533	5	
			3.3	7.4	8.5	54550-0433	4	
キャリアテープ幅 CARRIER TAPE WIDTH		E	D	(C)	(B)	(A)	製品番号 MATERIAL No.	極数 Ckt
						54550-***33	MODEL No.	

RELEASED EC NO.: J2013-1014 DRW: NKONDO 2012/09/13 CHK: KTAKAHASHI 2012/09/13 APPR: KMORIKAWA 2013/03/15	DESCRIPTION REV: 0	GENERAL TOLERANCES (UNLESS SPECIFIED)		DIMENSION STYLE MM ONLY		SCALE ---	DESIGN UNITS METRIC	THIRD ANGLE PROJECTION		
		10 UNDER	± 0.2	DRAWN BY NKONDO	DATE 2012/09/13	TITLE EMBOSS TAPE PACKAGED FOR 0.5MM FPC CONN ZIF R/A HOUSING ASSY				
		10 OVER 30 UNDER	± 0.25	CHECKED BY KTAKAHASHI	DATE 2012/09/13	molex DOCUMENT NO. SD-54550-076 SHEET NO. 2 OF 4				
		30 OVER	± 0.3	APPROVED BY KMORIKAWA	DATE 2013/03/15					
ANGULAR ± 3 °		DRAFT WHERE APPLICABLE MUST REMAIN WITHIN DIMENSIONS		MATERIAL NO. SEE CHART						
THIS DRAWING CONTAINS INFORMATION THAT IS PROPRIETARY TO MOLEX INCORPORATED AND SHOULD NOT BE USED WITHOUT WRITTEN PERMISSION										

引き出し方向
PULL OUT DIRECTION



SECT. Y-Y



SECT. X-X

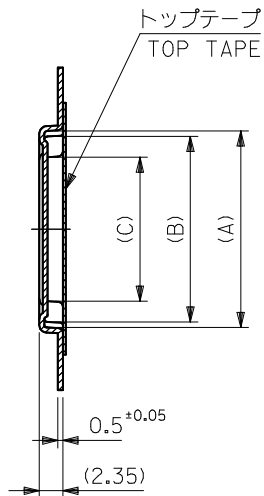
24mm幅キャリアテープ
24mm WIDTH CARRIER TAPE

24	29.4	25.4	12.3	16.4	17.5	54550-2233	22
			11.8	15.9	17	54550-2133	21
			11.3	15.4	16.5	54550-2033	20
			10.8	14.9	16	54550-1933	19
			10.3	14.4	15.5	54550-1833	18
			9.8	13.9	15	54550-1733	17
			9.3	13.4	14.5	54550-1633	16
			8.8	12.9	14	54550-1533	15
			8.3	12.4	13.5	54550-1433	14
			7.8	11.9	13	54550-1333	13
			7.3	11.4	12.5	54550-1233	12
			6.8	10.9	12	54550-1133	11
			6.3	10.4	11.5	54550-1033	10
			5.8	9.9	11	54550-0933	9
5.3	9.4	10.5	54550-0833	8			
4.8	8.9	10	54550-0733	7			
キャリアテープ幅 CARRIER TAPE WIDTH	E	D	(C)	(B)	(A)	製品番号 MATERIAL No.	極数 Ck†

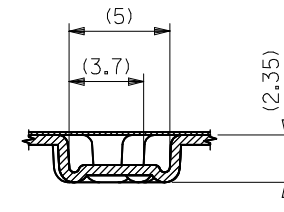
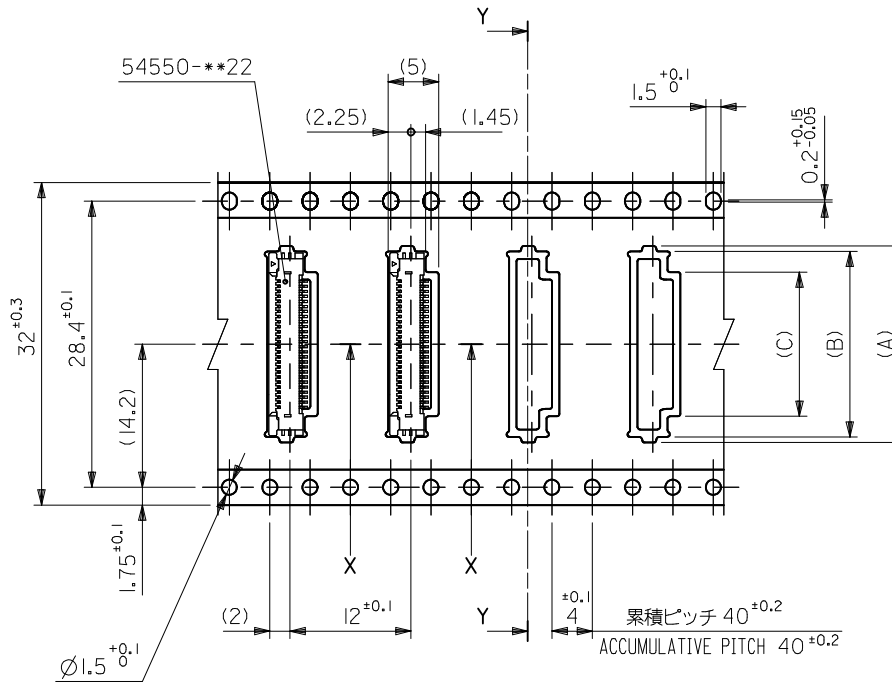
54550-**-33 MODEL No.

RELEASED EC NO: J2013-1014 DRWN: NKONDO 2012/09/13 CHKD: TAKAHASHI 2012/09/13 APPR: KMORIKAWA 2013/03/15	GENERAL TOLERANCES (UNLESS SPECIFIED)		DIMENSION STYLE MM ONLY		SCALE ---	DESIGN UNITS METRIC	THIRD ANGLE PROJECTION
	10 UNDER	±0.2	DRAWN BY NKONDO	DATE 2012/09/13	TITLE EMBOSS TAPE PACKAGED FOR 0.5MM FPC CONN ZIF R/A HOUSING ASSY molex DOCUMENT NO. SD-54550-076 SHEET NO. 3 OF 4		
	10 OVER 30 UNDER	±0.25	CHECKED BY KTAKAHASHI	DATE 2012/09/13			
	30 OVER	±0.3	APPROVED BY KMORIKAWA	DATE 2013/03/15			
ANGULAR ±3 °		MATERIAL NO.	SEE CHART				
DRAFT WHERE APPLICABLE MUST REMAIN WITHIN DIMENSIONS		THIS DRAWING CONTAINS INFORMATION THAT IS PROPRIETARY TO MOLEX INCORPORATED AND SHOULD NOT BE USED WITHOUT WRITTEN PERMISSION					

引き出し方向
PULL OUT DIRECTION



SECT. Y-Y



SECT. X-X

32mm幅キャリアテープ
32mm WIDTH CARRIER TAPE

32	37.4	33.4	14.3	18.4	19.5	54550-2633	26
			13.3	17.4	18.5	54550-2433	24
キャリアテープ幅 CARRIER TAPE WIDTH	E	D	(C)	(B)	(A)	製品番号 MATERIAL No.	極数 Ckt
						54550-***33	MODEL No.

RELEASED EC NO: J2013-1014 DRW: NKONDO 2012/09/13 CHK: KTAKAHASHI 2012/09/13 APPR: KMORIKAWA 2013/03/15	DESCRIPTION REV: 0	GENERAL TOLERANCES (UNLESS SPECIFIED)		DIMENSION STYLE MM ONLY		SCALE ---		DESIGN UNITS METRIC		THIRD ANGLE PROJECTION		
		10 UNDER	±0.2	DRAWN BY	DATE	TITLE						
		10 OVER 30 UNDER	±0.25	NKONDO	2012/09/13	EMBOSS TAPE PACKAGED FOR 0.5MM FPC CONN ZIF R/A HOUSING ASSY						
		30 OVER	±0.3	CHECKED BY	DATE	KTAKAHASHI 2012/09/13 APPROVED BY DATE KMORIKAWA 2013/03/15 MATERIAL NO. SEE CHART DOCUMENT NO. SD-54550-076						
ANGULAR ±3 ° DRAFT WHERE APPLICABLE MUST REMAIN WITHIN DIMENSIONS		SIZE A3		THIS DRAWING CONTAINS INFORMATION THAT IS PROPRIETARY TO MOLEX INCORPORATED AND SHOULD NOT BE USED WITHOUT WRITTEN PERMISSION								