

Chipsmall Limited consists of a professional team with an average of over 10 year of expertise in the distribution of electronic components. Based in Hongkong, we have already established firm and mutual-benefit business relationships with customers from,Europe,America and south Asia,supplying obsolete and hard-to-find components to meet their specific needs.

With the principle of “Quality Parts,Customers Priority,Honest Operation,and Considerate Service”,our business mainly focus on the distribution of electronic components. Line cards we deal with include Microchip,ALPS,ROHM,Xilinx,Pulse,ON,Everlight and Freescale. Main products comprise IC,Modules,Potentiometer,IC Socket,Relay,Connector.Our parts cover such applications as commercial,industrial, and automotives areas.

We are looking forward to setting up business relationship with you and hope to provide you with the best service and solution. Let us make a better world for our industry!

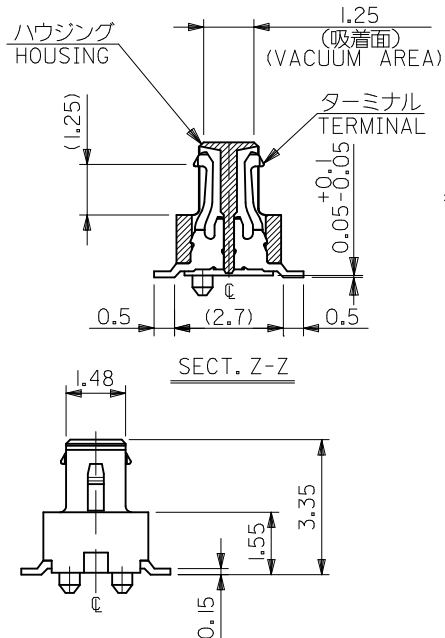
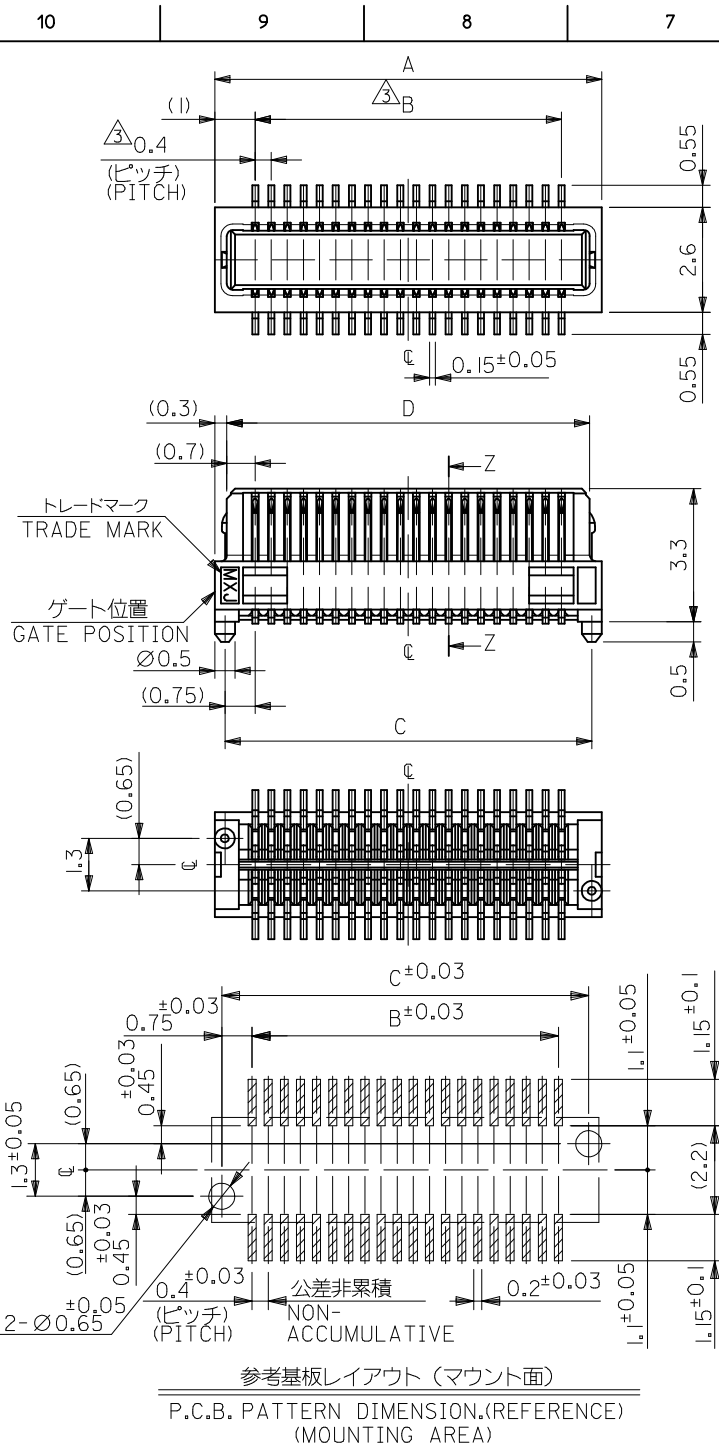


Contact us

Tel: +86-755-8981 8866 Fax: +86-755-8427 6832

Email & Skype: info@chipsmall.com Web: www.chipsmall.com

Address: A1208, Overseas Decoration Building, #122 Zhenhua RD., Futian, Shenzhen, China

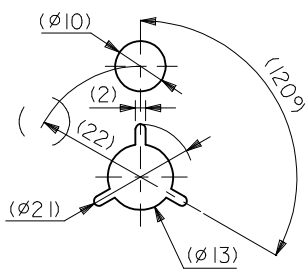
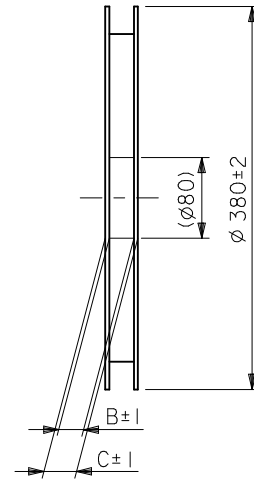
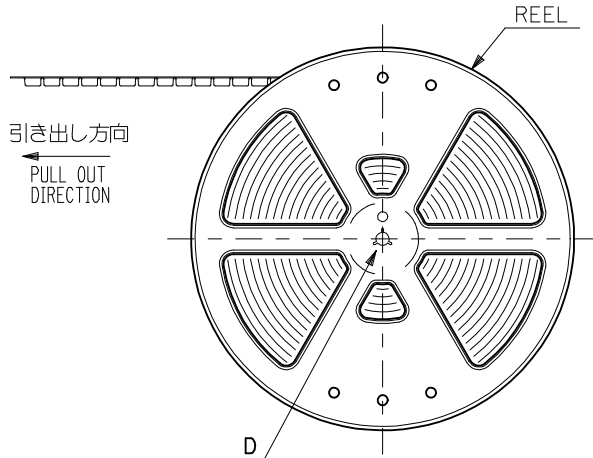


注記 NOTES

1. 使用材料 MATERIAL
 ハウジング:液晶ポリマー ガラス充填 UL94V-0 茶色
 HOUSING:LIQUID CRYSTAL POLYMER, GLASS FILLED, UL94V-0, COLOR BROWN
 ターミナル:リン青銅 (t=0.15)
 TERMINAL:PHOSPHOR BRONZE(t=0.15)
2. メッキ仕様 PLATING
 金メッキ (コンタクト部)
 GOLD PLATING (CONTACT AREA)
 錫メッキ (テール部)
 TIN PLATING (TAIL AREA)
 下地メッキ:ニッケルメッキ
 UNDER PLATING: NICKEL
- △ テール部に適用。
 APPLY TO THE TAIL AREA.
4. 嵌合相手:55394 / 503376 シリーズ
 MATE WITH: 55394 / 503376 SERIES.
5. テール平坦度は、0.08以下
 TAIL COPLANARITY TO BE 0.08MAXIMUM
6. ELV及びRoHS適合品
 ELV AND RoHS COMPLIANT

23.0	23.1	21.6	23.6	54552-1102	54552-1100	110
19.0	19.1	17.6	19.6	54552-0902	54552-0900	90
9.0	9.1	7.6	9.6	54552-0402	54552-0400	40
7.8	7.9	6.4	8.4	54552-0342	54552-0340	34
7.0	7.1	5.6	7.6	54552-0302	54552-0300	30
D	C	B	A	EMBOSSED TAPE	MATERIAL No.	CKT.
				ORDER No. オーダー番号	MODEL No. :	54552-***0

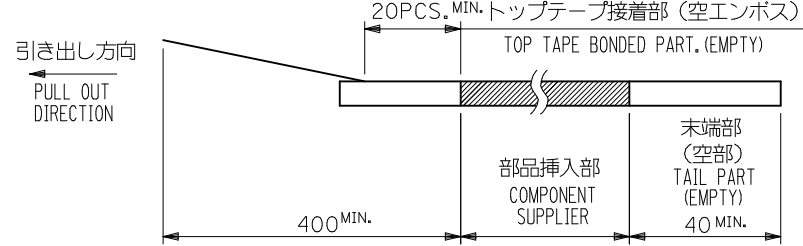
REVISED EC NO: J2009-2156 DRWN:MTAKASAKI 2009/03/26 CHKD:THARUYAMA 2009/03/27 APPR:NUKITA 2009/03/30	GENERAL TOLERANCES (UNLESS SPECIFIED)		DIMENSION STYLE MM ONLY		SCALE ---	DESIGN UNITS METRIC	THIRD ANGLE PROJECTION
	10 UNDER	±0.2	DRAWN BY N. AIDA	DATE '05/02/03	TITLE 0.4 B/B CONN RA REC HSG ASSY		
	10 OVER 30 UNDER	±0.25	CHECKED BY K. TOYODA	DATE '05/02/03	MOLEX INCORPORATED		
	30 OVER	±0.3	APPROVED BY N. UKITA	DATE '05/02/03	DOCUMENT NO. SD-54552-023	SHEET NO. 1 OF 1	
REV	DESCRIPTION	ANGULAR ±3 °	DRAFT WHERE APPLICABLE MUST REMAIN WITHIN DIMENSIONS		SEE TABLE		
		THIS DRAWING CONTAINS INFORMATION THAT IS PROPRIETARY TO MOLEX INCORPORATED AND SHOULD NOT BE USED WITHOUT WRITTEN PERMISSION					



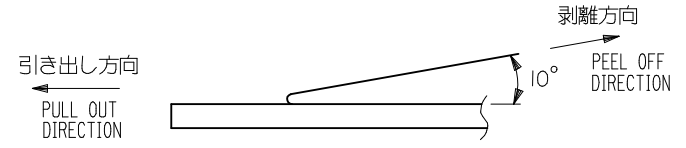
DETAIL D

NOTES

- 製品詳細寸法については SD-54552-023 を参照下さい。
RE DETAILED DIMENSION, SEE SD-54552-023.
- 梱包数量：1500個/リール
NUMBER OF CONNECTORS : 1500PCS/REEL
- リードテープ長さ LEAD TAPE LENGTH



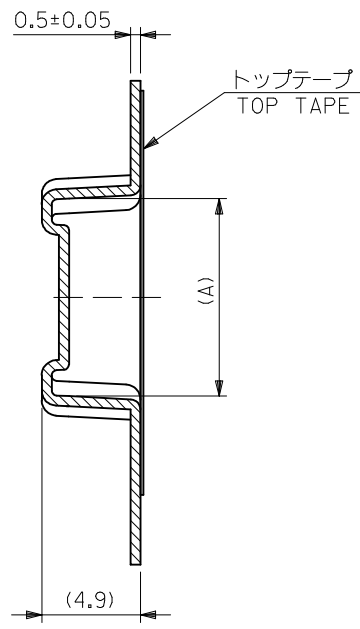
- トップテープの剥離強度：0.1～1.3N {10～130gf} (剥離方向は下図参照)
尚、本規格値は出荷時に適用。(但し、輸送時に剥離が発生しないこと。)
PEELING OFF FORCE OF TOP TAPE : 0.1～1.3N {10～130gf}
(PEELING DIRECTION AS SHOWN IN FOLLOWING FIG.)
THIS REQUIREMENT SHOULD BE APPLIED AT SHIPMENT.
PEEL OFF SHOULD NOT BE ALLOWED , DURING TRANSPORTATION.



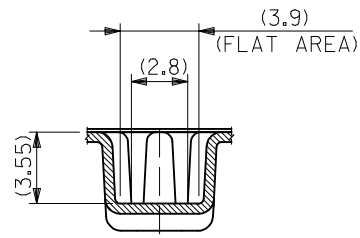
- 材料(MATERIAL)
キャリアテープ (CARRIER TAPE) : ポリプロピレン (POLYPROPYLENE)
トップテープ (TOPTAPE) : PET , PE , PEF
リール (REEL) : ポリスチレン (P S) <リサイクル材を含む>
POLYSTYRENE (PS) <RECYCLE MATERIAL CONTAINED>
- ELV及びRoHS適合品
ELV AND RoHS COMPLIANT

54552-1102	110
54552-0902	90
54552-0402	40
54552-0342	34
54552-0302	30
MATERIAL NO.	極数 CIRCUITS

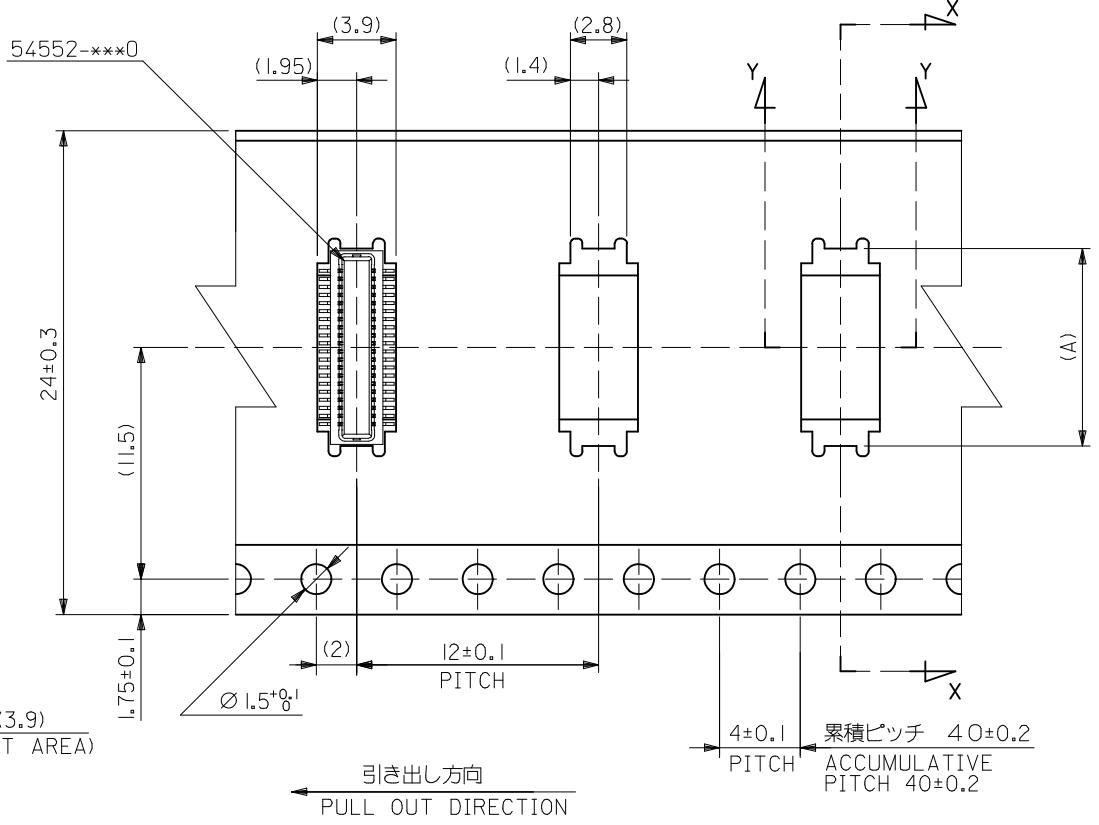
REVISED EC NO: J2009-2156 DRWN:MTAKASAKI 2009/03/26 CHKD:THARUYAMA 2009/03/27 APPR:NUKITA 2009/03/30	GENERAL TOLERANCES (UNLESS SPECIFIED)		DIMENSION STYLE MM ONLY		SCALE ---	DESIGN UNITS METRIC	THIRD ANGLE PROJECTION
	10 UNDER	±0.2	DRAWN BY N. AIDA	DATE '05/02/03	TITLE EMBSTP PKG FOR 0.4 B/B CONN RA REC HSG ASSY		
	10 OVER 30 UNDER	±0.25	CHECKED BY K. TOYODA	DATE '05/02/03	MOLEX INCORPORATED		
	30 OVER	±0.3	APPROVED BY N. UKITA	DATE '05/02/03	MATERIAL NO. SEE TABLE	DOCUMENT NO. SD-54552-024	SHEET NO. 1 OF 4
	ANGULAR ±3 °	THIS DRAWING CONTAINS INFORMATION THAT IS PROPRIETARY TO MOLEX INCORPORATED AND SHOULD NOT BE USED WITHOUT WRITTEN PERMISSION					
	DRAFT WHERE APPLICABLE MUST REMAIN WITHIN DIMENSIONS						



SECT X-X



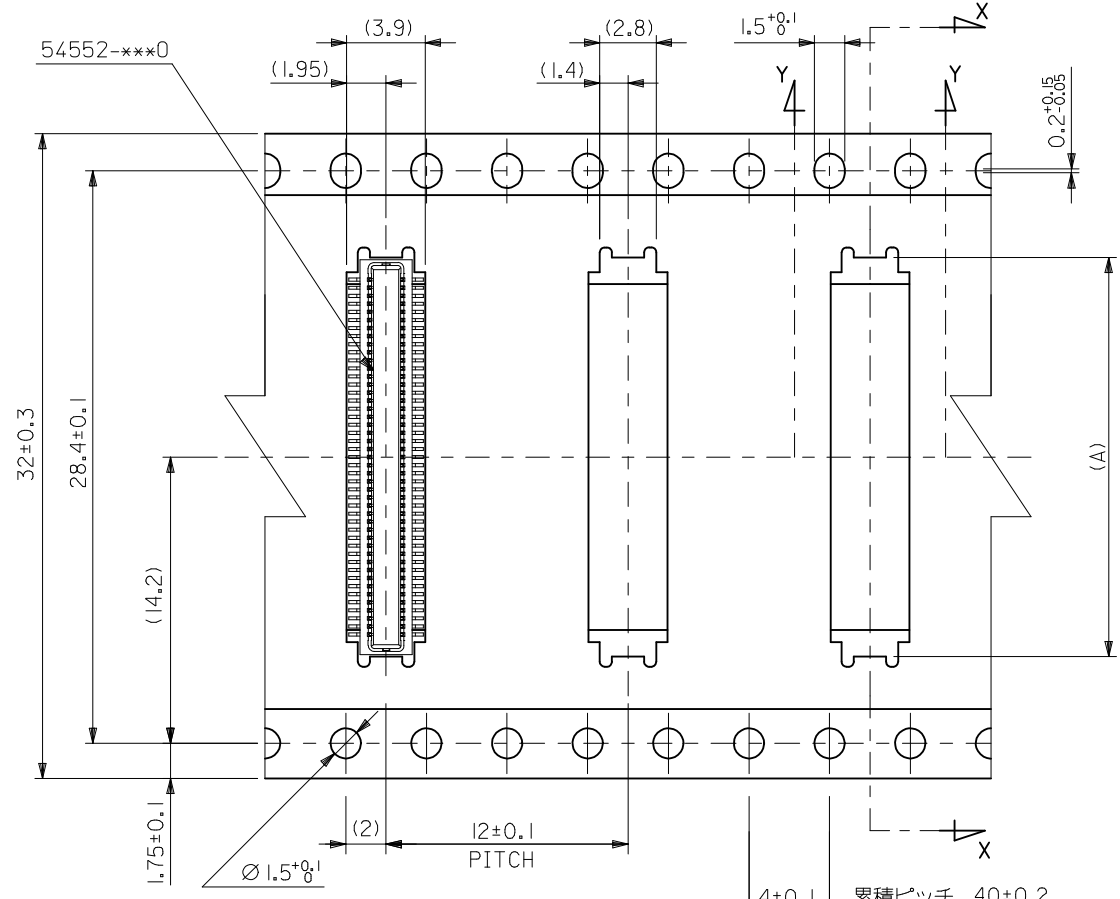
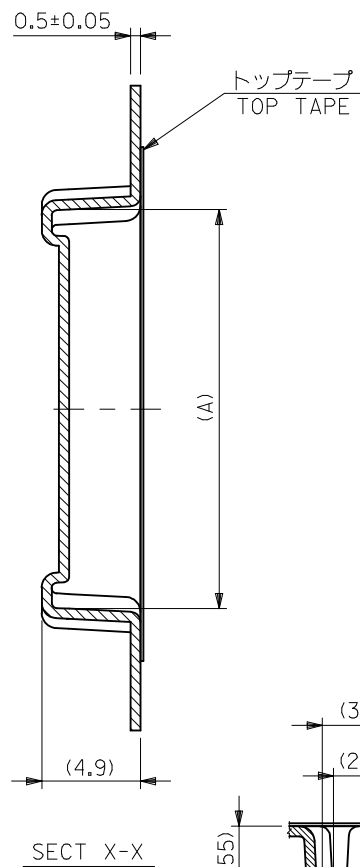
SECT Y-Y



24mm幅キャリアテープ
24mm WIDTH CARRIER TAPE

24	29.4	25.4	9.8	54552-0402	40
			8.6	54552-0342	34
			7.8	54552-0302	30
キャリアテープ幅 CARRIER TAPE WIDTH	C	B	(A)	MATERIAL NO.	極数 CIRCUITS

REVISED EC NO: J2009-2156 DRWN: TAKASAKI 2009/03/26 CHKD: THARUYAMA 2009/03/27 APPR: NUKITA 2009/03/30	GENERAL TOLERANCES (UNLESS SPECIFIED)		DIMENSION STYLE MM ONLY		SCALE ---	DESIGN UNITS METRIC	MODEL NO. 54552-***2	
	10 UNDER ±0.2	10 OVER 30 UNDER ±0.25	30 OVER ±0.3	DRAWN BY N. AIDA	DATE '05/02/03	TITLE EMBSTP PKG FOR 0.4 B/B CONN RA REC HSG ASSY		
	ANGULAR ±3 °			CHECKED BY K. TOYODA	DATE '05/02/03	MOLEX INCORPORATED		
	DRAFT WHERE APPLICABLE MUST REMAIN WITHIN DIMENSIONS			APPROVED BY N. UKITA	DATE '05/02/03	MATERIAL NO. SEE TABLE	DOCUMENT NO. SD-54552-024	SHEET NO. 2 OF 4

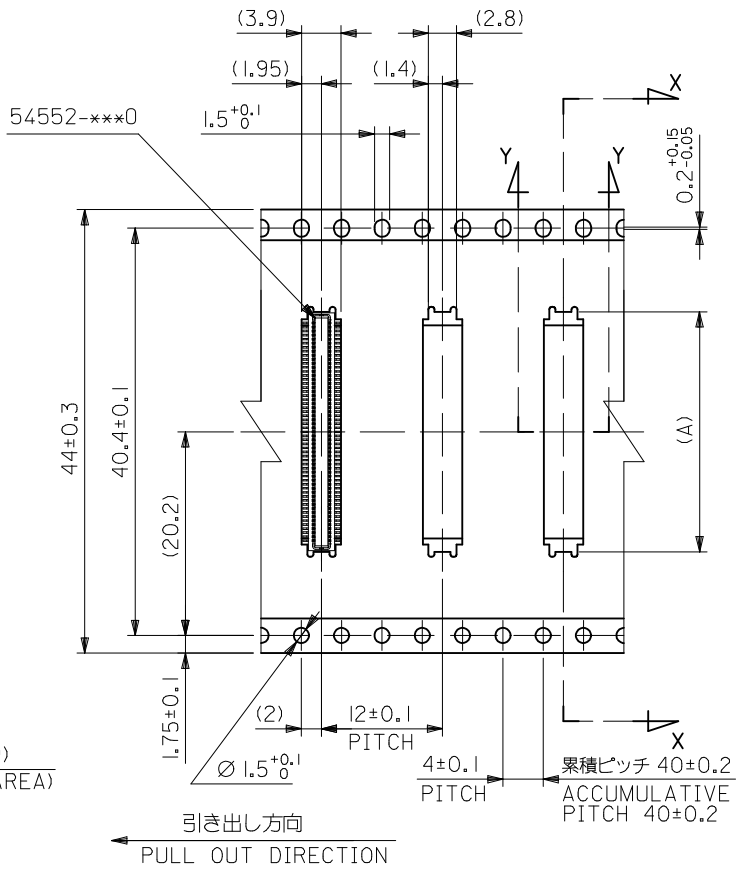
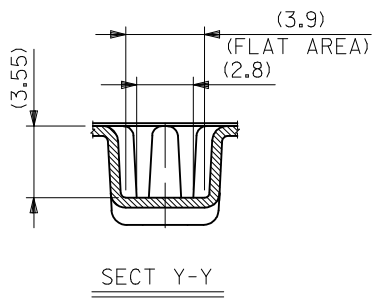
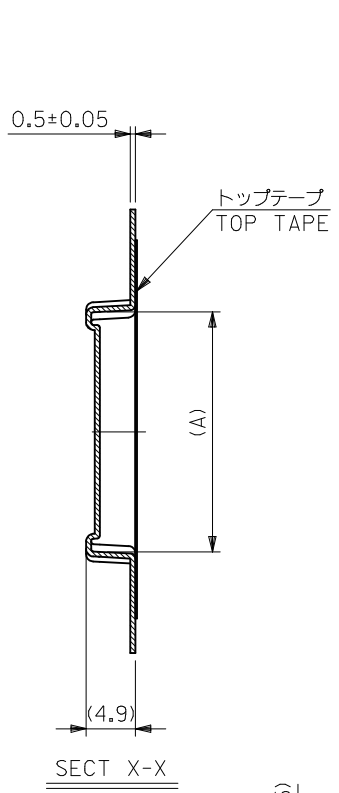


引き出し方向
PULL OUT DIRECTION
32mm幅キャリアテープ
32mm WIDTH CARRIER TAPE

4±0.1 PITCH
累積ピッチ 40±0.2
ACCUMULATIVE PITCH 40±0.2

32	37.4	33.4	19.8	54552-0902	90
キャリアテープ幅 CARRIER TAPE WIDTH	C	B	(A)	MATERIAL NO.	極数 CIRCUIT

REVISED EC NO: J2009-2156 DRWN:MTAKASAKI 2009/03/26 CHKD:THARUYAMA 2009/03/27 APPR:NUKITA 2009/03/30	GENERAL TOLERANCES (UNLESS SPECIFIED)		DIMENSION STYLE MM ONLY		SCALE ---	DESIGN UNITS METRIC	MODEL NO. 54552-***2
	10 UNDER	±0.2	DRAWN BY N. AIDA	DATE '05/02/03	TITLE EMBSTP PKG FOR 0.4 B/B CONN RA REC HSG ASSY		
	10 OVER 30 UNDER	±0.25	CHECKED BY K. TOYODA	DATE '05/02/03	MATERIAL NO. SD-54552-024		
	30 OVER	±0.3	APPROVED BY N. UKITA	DATE '05/02/03	SHEET NO. 3 OF 4		
REV	DESCRIPTION	ANGULAR ±3 °	MATERIAL NO. SEE TABLE		DOCUMENT NO. SD-54552-024		
DRAFT WHERE APPLICABLE MUST REMAIN WITHIN DIMENSIONS		THIS DRAWING CONTAINS INFORMATION THAT IS PROPRIETARY TO MOLEX INCORPORATED AND SHOULD NOT BE USED WITHOUT WRITTEN PERMISSION					



4mm幅キャリアテープ
44mm WIDTH CARRIER TAPE

44	49.4	45.4	23.8	54552-1102	110
キャリアテープ幅 CARRIER TAPE WIDTH	C	B	(A)	MATERIAL NO.	極数 CIRCUITS

REVISED EC NO: J2009-2156 DRWN:MTAKASAKI 2009/03/26 CHKD:THARUYAMA 2009/03/27 APPR:NUKITA 2009/03/30	GENERAL TOLERANCES (UNLESS SPECIFIED)		DIMENSION STYLE MM ONLY		SCALE ---	DESIGN UNITS METRIC	MODEL NO. 54552-***2	THIRD ANGLE PROJECTION
	10 UNDER	±0.2	DRAWN BY N. AIDA	DATE '05/02/03	TITLE EMBSTP PKG FOR 0.4 B/B CONN RA REC HSG ASSY			
	10 OVER 30 UNDER	±0.25	CHECKED BY K. TOYODA	DATE '05/02/03	MOLEX INCORPORATED			
	30 OVER	±0.3	APPROVED BY N. UKITA	DATE '05/02/03	DOCUMENT NO. SD-54552-024			
REV	DESCRIPTION	ANGULAR ±3 °	MATERIAL NO. SEE TABLE		SHEET NO. 4 OF 4		THIS DRAWING CONTAINS INFORMATION THAT IS PROPRIETARY TO MOLEX INCORPORATED AND SHOULD NOT BE USED WITHOUT WRITTEN PERMISSION	
		DRAFT WHERE APPLICABLE MUST REMAIN WITHIN DIMENSIONS						