



Chipsmall Limited consists of a professional team with an average of over 10 year of expertise in the distribution of electronic components. Based in Hongkong, we have already established firm and mutual-benefit business relationships with customers from,Europe,America and south Asia,supplying obsolete and hard-to-find components to meet their specific needs.

With the principle of "Quality Parts,Customers Priority,Honest Operation,and Considerate Service",our business mainly focus on the distribution of electronic components. Line cards we deal with include Microchip,ALPS,ROHM,Xilinx,Pulse,ON,Everlight and Freescale. Main products comprise IC,Modules,Potentiometer,IC Socket,Relay,Connector.Our parts cover such applications as commercial,industrial, and automotives areas.

We are looking forward to setting up business relationship with you and hope to provide you with the best service and solution. Let us make a better world for our industry!



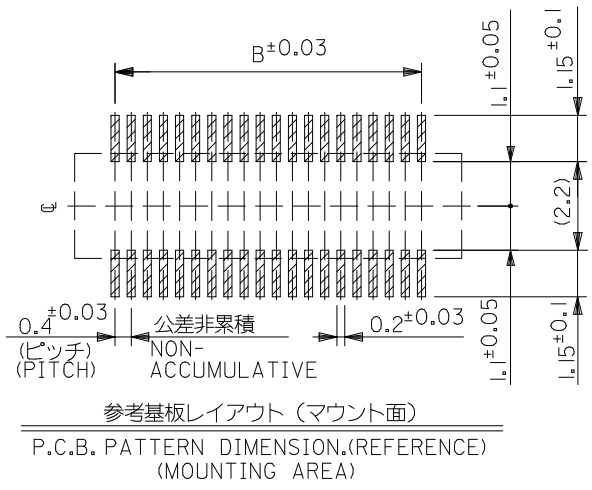
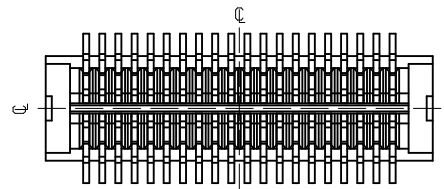
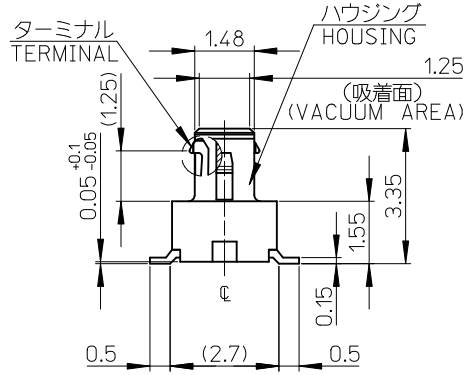
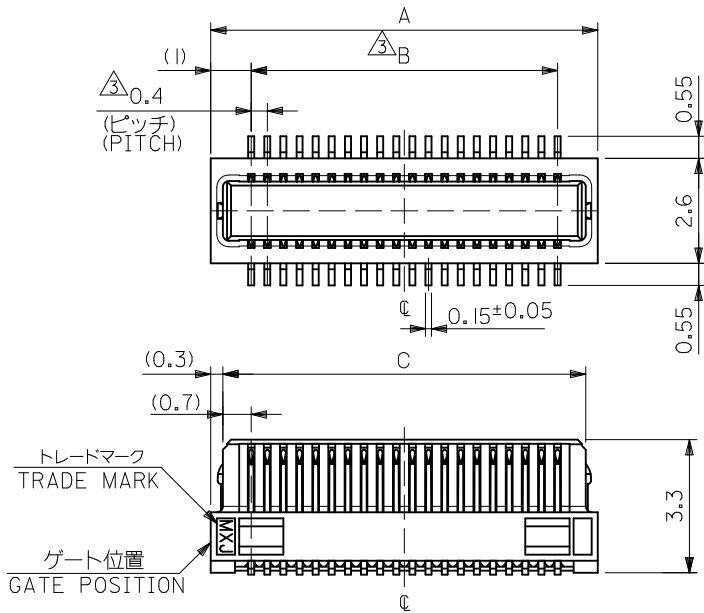
Contact us

Tel: +86-755-8981 8866 Fax: +86-755-8427 6832

Email & Skype: info@chipsmall.com Web: www.chipsmall.com

Address: A1208, Overseas Decoration Building, #122 Zhenhua RD., Futian, Shenzhen, China





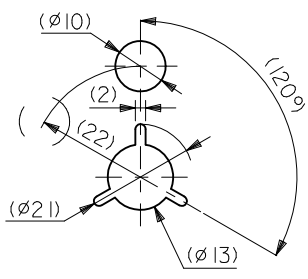
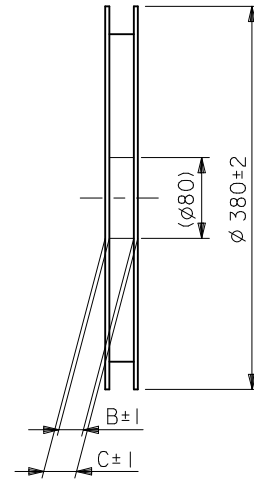
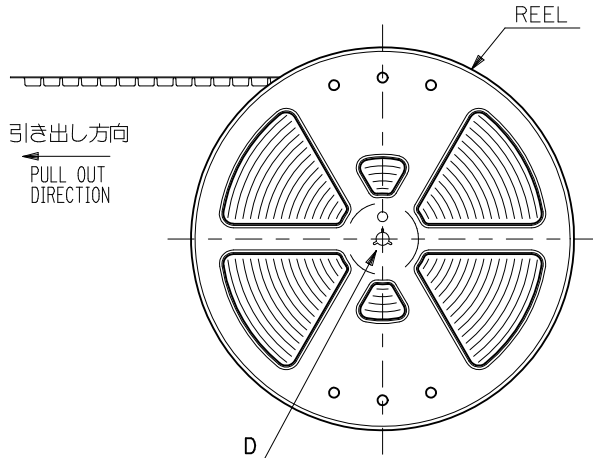
注記 NOTES

1. 使用材料 MATERIAL
 ハウジング:液晶ポリマー ガラス充填 UL94V-0 茶色
 HOUSING:LIQUID CRYSTAL POLYMER, GLASS FILLED, UL94V-0, COLOR BROWN
 ターミナル:リン青銅 (t=0.15)
 TERMINAL:PHOSPHOR BRONZE(t=0.15)
2. メッキ仕様 PLATING
 金メッキ (コンタクト部)
 GOLD PLATING (CONTACT AREA)
 錫メッキ (テール部)
 TIN PLATING (TAIL AREA)
 下地メッキ:ニッケルメッキ
 UNDER PLATING : NICKEL
- △ テール部に適用。
 APPLY TO THE TAIL AREA.
4. 嵌合相手:55394 / 503376 シリーズ
 MATE WITH : 55394 / 503376 SERIES.
5. テール平坦度は、0.08以下
 TAIL COPLANARITY TO BE 0.08MAXIMUM
6. ELV及びRoHS適合品
 ELV AND RoHS COMPLIANT

19.0	17.6	19.6	54552-9016	90
17.0	15.6	17.6	54552-8016	80
9.0	7.6	9.6	54552-4016	40
7.0	5.6	7.6	54552-3016	30
5.0	3.6	5.6	54552-2016	20
C	B	A	EMBOSSED TAPE	CKT.
ORDER No. オーダー番号				

CONNECTOR SERIES No. : 54552-***15

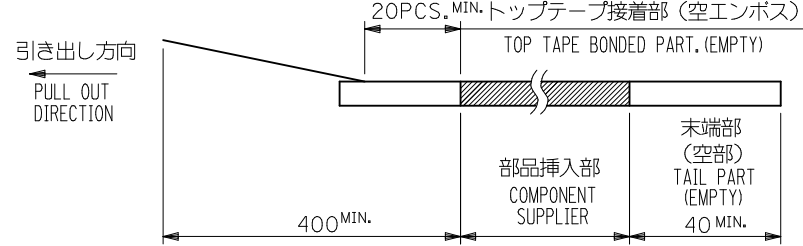
RELEASED EC NO: J2010-1972 DRWN:KTOYODA 2010/03/31 CH'KD:SMARUYAMA 2010/03/31 APPR:SMARUYAMA 2010/03/31	GENERAL TOLERANCES (UNLESS SPECIFIED)		DIMENSION STYLE MM ONLY		SCALE 8:1	DESIGN UNITS METRIC	THIRD ANGLE PROJECTION	
	10 UNDER	±0.2	DRAWN BY KTOYODA	DATE 2010/03/29	TITLE 0.4 B/B CONN R/A REC HSG ASSY WITHOUT BOSS			
	10 OVER 30 UNDER	±0.25	CHECKED BY SMARUYAMA	DATE 2010/03/29	APPROVED BY MSASAO 2010/03/29			
	30 OVER	±0.3	MATERIAL NO. SEE TABLE		DOCUMENT NO. SD-54552-025		SHEET NO. 1 OF 1	
A	ANGULAR ±3 ° DRAFT WHERE APPLICABLE MUST REMAIN WITHIN DIMENSIONS		THIS DRAWING CONTAINS INFORMATION THAT IS PROPRIETARY TO MOLEX INCORPORATED AND SHOULD NOT BE USED WITHOUT WRITTEN PERMISSION					



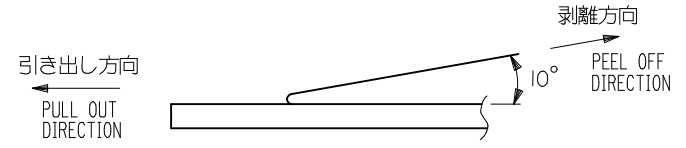
DETAIL D

NOTES

- 製品詳細寸法については SD-54552-025 を参照下さい。
RE DETAILED DIMENSION, SEE SD-54552-025.
- 梱包数量：1500個/リール
NUMBER OF CONNECTORS：1500PCS/REEL
- リードテープ長さ LEAD TAPE LENGTH



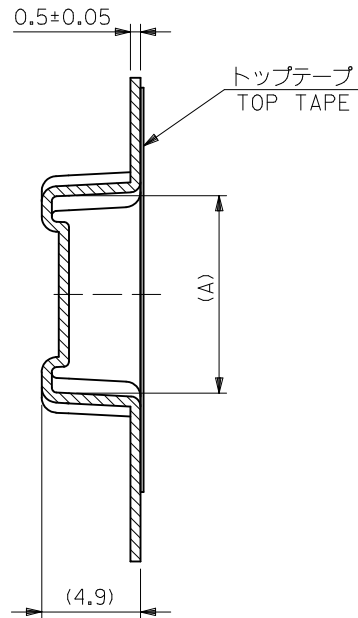
- トップテープの剥離強度：0.1～1.3N (10～130gf) (剥離方向は下図参照)
尚、本規格値は出荷時に適用。(但し、輸送時に剥離が発生しないこと。)
PEELING OFF FORCE OF TOP TAPE：0.1～1.3N (10～130gf)
(PEELING DIRECTION AS SHOWN IN FOLLOWING FIG.)
THIS REQUIREMENT SHOULD BE APPLIED AT SHIPMENT.
PEEL OFF SHOULD NOT BE ALLOWED, DURING TRANSPORTATION.



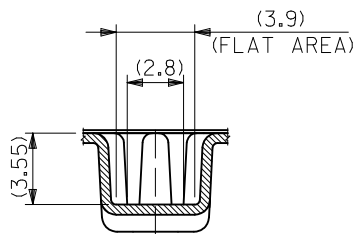
- 材料 (MATERIAL)
キャリアテープ (CARRIER TAPE)：ポリプロピレン (POLYPROPYLENE)
トップテープ (TOP TAPE)：PET, PE, PEF
リール (REEL)：ポリスチレン (P S) <リサイクル材を含む>
POLYSTYRENE (PS) <RECYCLE MATERIAL CONTAINED>
- ELV及びRoHS適合品
ELV AND RoHS COMPLIANT

54552-9016	90
54552-8016	80
54552-4016	40
54552-3016	30
54552-2016	20
EMBOSSED TAPE	CKT.
ORDER No. オーダー番号	

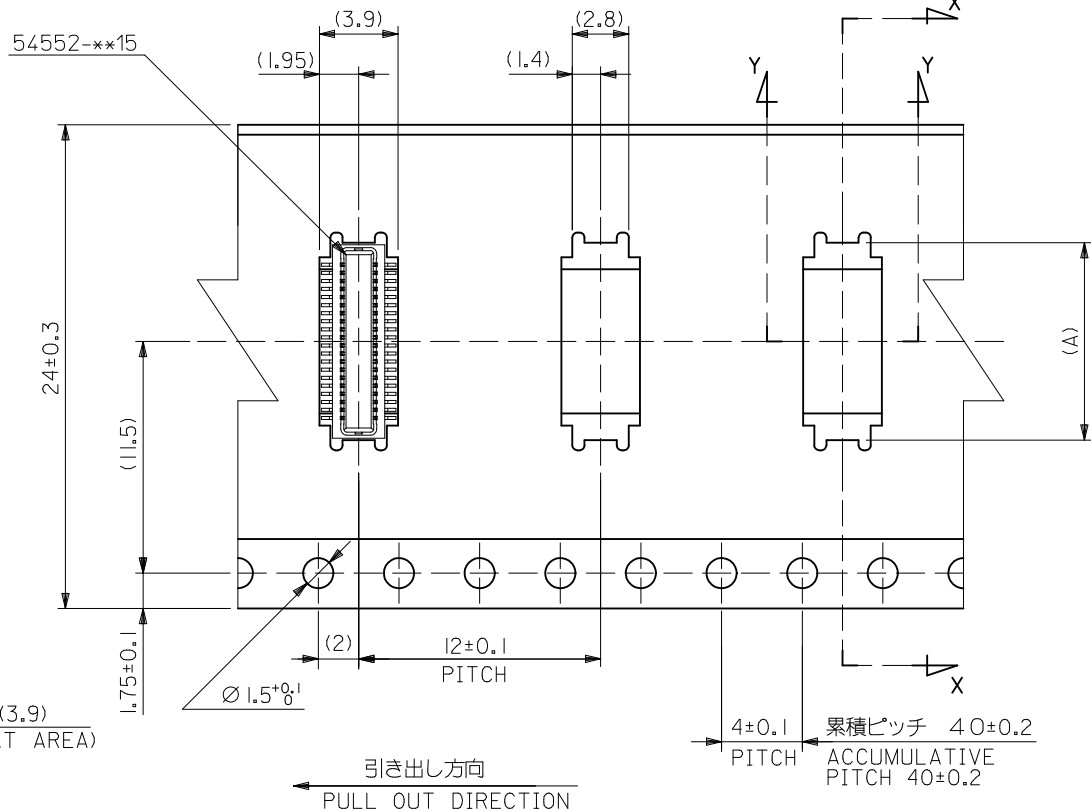
RELEASED EC NO.: J2010-1972 DRW: KTOYODA 2010/03/31 CHKD: SMARUYAMA 2010/03/31 APPR: SMARUYAMA 2010/03/31	GENERAL TOLERANCES (UNLESS SPECIFIED)		DIMENSION STYLE MM ONLY		SCALE ---	DESIGN UNITS METRIC	THIRD ANGLE PROJECTION
	10 UNDER	±0.2	DRAWN BY KTOYODA	DATE 2010/03/29	TITLE EMBSTP PKG FOR 0.4 B/B CONN RA REC HSG ASSY		
	10 OVER 30 UNDER	±0.25	CHECKED BY SMARUYAMA	DATE 2010/03/29	MOLEX INCORPORATED		
	30 OVER	±0.3	APPROVED BY MSASAO	DATE 2010/03/29	MATERIAL NO. SEE TABLE	DOCUMENT NO. SD-54552-026	SHEET NO. 1 OF 3
A	ANGULAR ±3 °	THIS DRAWING CONTAINS INFORMATION THAT IS PROPRIETARY TO MOLEX INCORPORATED AND SHOULD NOT BE USED WITHOUT WRITTEN PERMISSION					
	DRAFT WHERE APPLICABLE MUST REMAIN WITHIN DIMENSIONS						



SECT X-X



SECT Y-Y



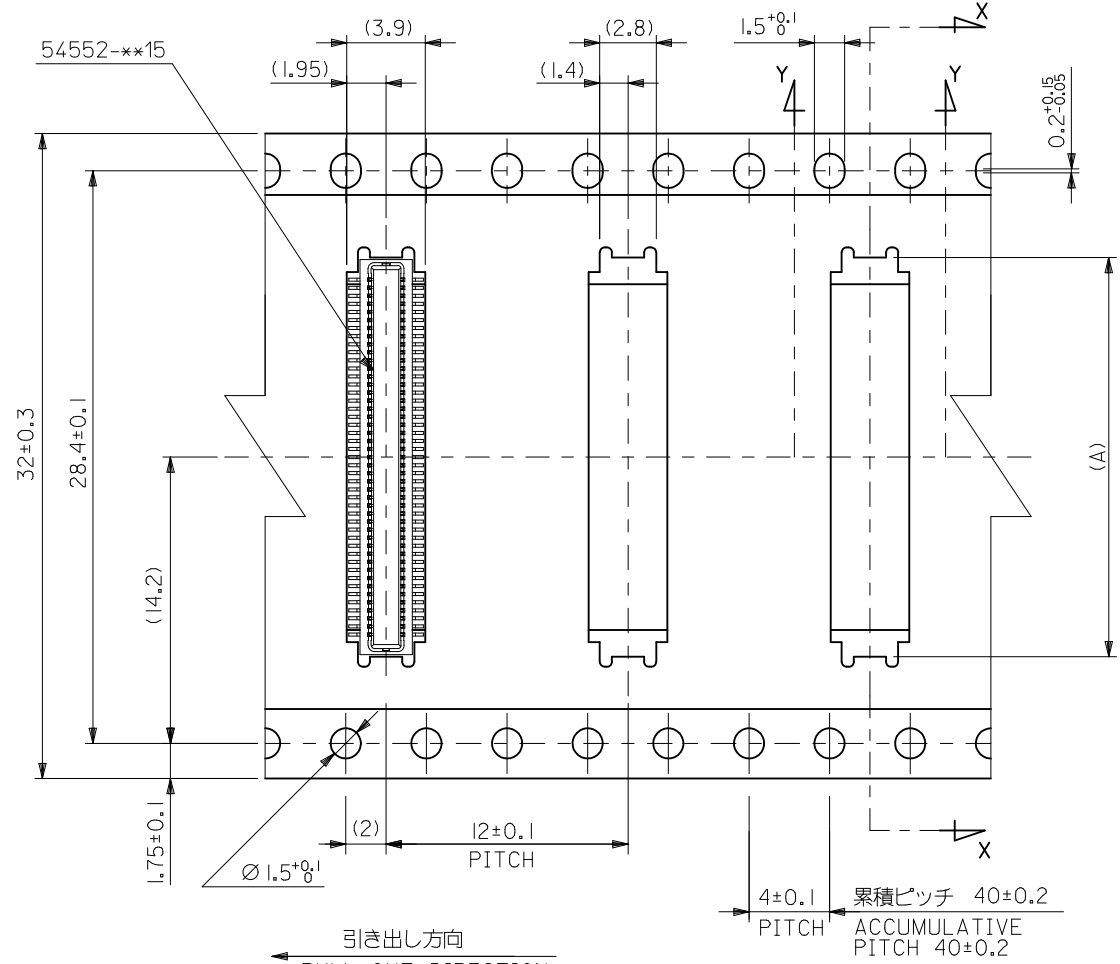
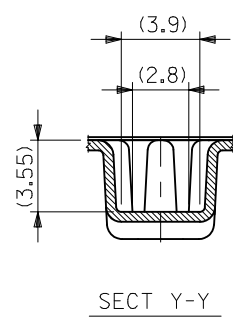
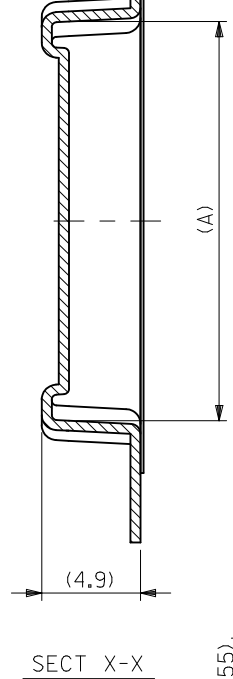
24	29.4	25.4	9.8	54552-4016	40
			7.8	54552-3016	30
			5.8	54552-2016	20
キャリアテープ幅 CARRIER TAPE WIDTH	C	B	(A)	EMBOSSED TAPE ORDER No. オーダー番号	極数 CIRCUITS

SEE SHEET 1 OF 3 EC NO: J2010-1972 DRWK:KTOYODA 2010/03/31 CHKD:SMARUYAMA 2010/03/31 APPR:SMARUYAMA 2010/03/31	GENERAL TOLERANCES (UNLESS SPECIFIED)	
	10 UNDER	±0.2
	10 OVER 30 UNDER	±0.25
	30 OVER	±0.3
	ANGULAR	±3 °
REV A	DRAFT WHERE APPLICABLE MUST REMAIN WITHIN DIMENSIONS	

DIMENSION STYLE MM ONLY	
DRAWN BY KTOYODA	DATE 2010/03/29
CHECKED BY SMARUYAMA	DATE 2010/03/29
APPROVED BY MSASAO	DATE 2010/03/29
MATERIAL NO. SEE TABLE	
SIZE A3	THIS DRAWING CONTAINS INFORMATION THAT IS PROPRIETARY TO MOLEX INCORPORATED AND SHOULD NOT BE USED WITHOUT WRITTEN PERMISSION

SCALE ---	DESIGN UNITS METRIC	THIRD ANGLE PROJECTION
TITLE EMBSTP PKG FOR 0.4 B/B CONN RA REC HSG ASSY		
MOLEX INCORPORATED		
MATERIAL NO. SD-54552-026	DOCUMENT NO.	SHEET NO. 2 OF 3

0.5±0.05
トップテープ
TOP TAPE



32mm幅キャリアテープ
32mm WIDTH CARRIER TAPE

32	37.4	33.4	19.8	54552-9016	90
			17.8	54552-8016	80
キャリアテープ幅 CARRIER TAPE WIDTH	C	B	(A)	EMBOSSED TAPE	極数 CIRCUITS
				ORDER No. オーダー番号	

SEE SHEET 1 OF 3 EC NO: J2010-1972 DRWK:KTOYODA 2010/03/31 CHKD:SMARUYAMA 2010/03/31 APPR:SMARUYAMA 2010/03/31	GENERAL TOLERANCES (UNLESS SPECIFIED)	
	10 UNDER	±0.2
	10 OVER 30 UNDER	±0.25
	30 OVER	±0.3
	ANGULAR	±3 °
	DRAFT WHERE APPLICABLE MUST REMAIN WITHIN DIMENSIONS	
REV	A	

DIMENSION STYLE MM ONLY	SCALE ---	DESIGN UNITS METRIC	THIRD ANGLE PROJECTION
DRAWN BY KTOYODA	DATE 2010/03/29	TITLE EMBSTP PKG FOR 0.4 B/B CONN RA REC HSG ASSY	
CHECKED BY SMARUYAMA	DATE 2010/03/29	MOLEX INCORPORATED	
APPROVED BY MSASAO	DATE 2010/03/29		
MATERIAL NO.	SEE TABLE	DOCUMENT NO. SD-54552-026	SHEET NO. 3 OF 3
SIZE A3	THIS DRAWING CONTAINS INFORMATION THAT IS PROPRIETARY TO MOLEX INCORPORATED AND SHOULD NOT BE USED WITHOUT WRITTEN PERMISSION		