



Chipsmall Limited consists of a professional team with an average of over 10 year of expertise in the distribution of electronic components. Based in Hongkong, we have already established firm and mutual-benefit business relationships with customers from,Europe,America and south Asia,supplying obsolete and hard-to-find components to meet their specific needs.

With the principle of "Quality Parts,Customers Priority,Honest Operation,and Considerate Service",our business mainly focus on the distribution of electronic components. Line cards we deal with include Microchip,ALPS,ROHM,Xilinx,Pulse,ON,Everlight and Freescale. Main products comprise IC,Modules,Potentiometer,IC Socket,Relay,Connector.Our parts cover such applications as commercial,industrial, and automotives areas.

We are looking forward to setting up business relationship with you and hope to provide you with the best service and solution. Let us make a better world for our industry!



Contact us

Tel: +86-755-8981 8866 Fax: +86-755-8427 6832

Email & Skype: info@chipsmall.com Web: www.chipsmall.com

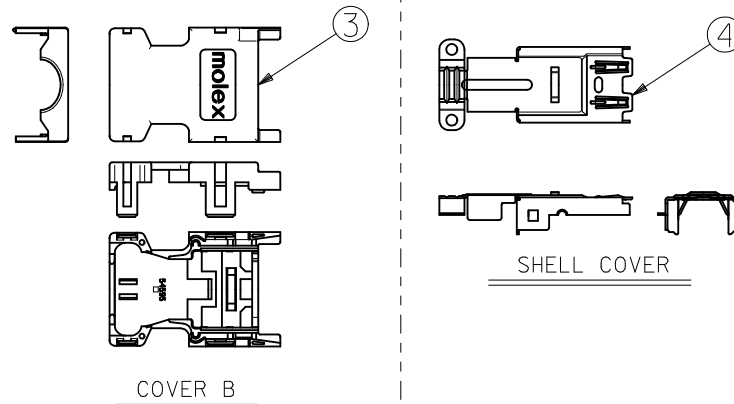
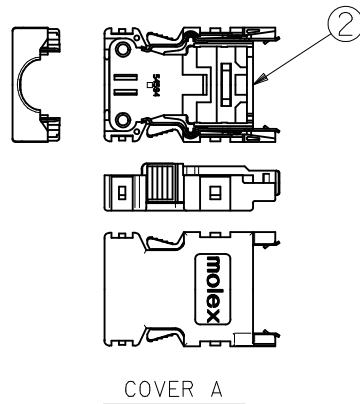
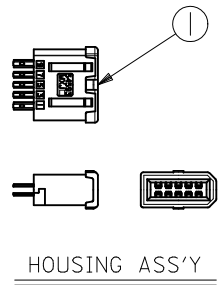
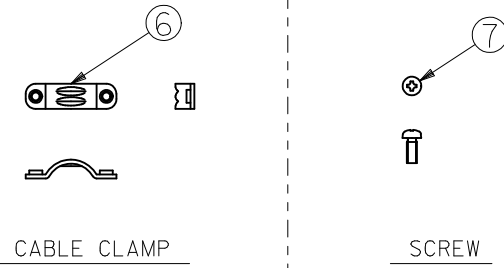
Address: A1208, Overseas Decoration Building, #122 Zhenhua RD., Futian, Shenzhen, China



部品構成
PARTS CONSTRUCTION

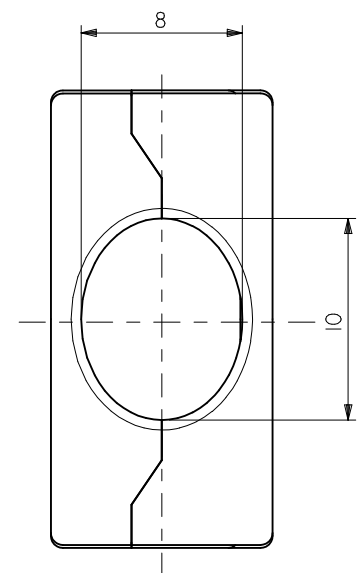
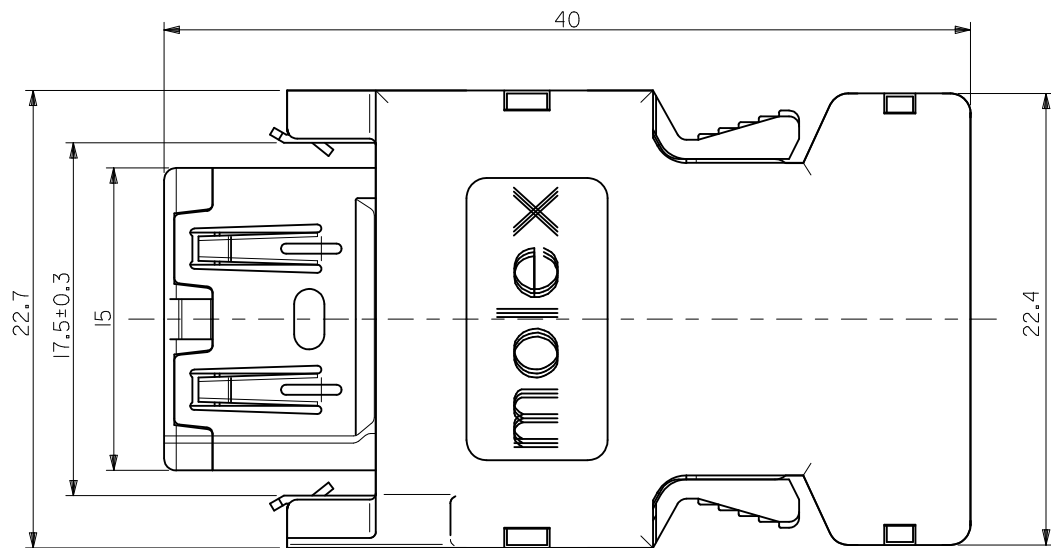
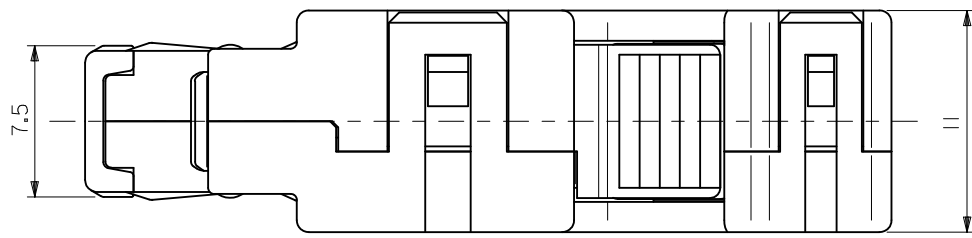
部番 NO.	部品名 PART NAME	製品番号 ENG. NO.	個数 QVAN.	材質 MATERIAL
①	ハウジングアッセンブリ HOUSING ASS'Y	54593-1016	1	ハウジング: ポリアミド, UL94V-0 色:黒 HOUSING: POLYAMIDE, UL94V-0 COLOR:BLACK ターミナル:りん青銅 t0.3 TERMINAL:PHOSPHOR BRONZE t0.3 メッキ仕様 接点部:ニッケル下地金メッキ PLATING CONTACT AREA:GOLD OVER NICKEL 結線部:ニッケル下地錫メッキ WIRE TERMINATION AREA:TIN OVER NICKEL
②	カバーA COVER A	54594-1015	1	カバーA: ガラス入りポリカーボネイト樹脂 COVER A: POLYCARBONATE G.F. UL94V-0 色:グレー UL94V-0 COLOR:GRAY スプリングラッチ:ステンレス鋼 t0.4 SPRING LATCH:STAINLESS STEEL t0.4
③	カバーB COVER B	54595-1005	1	ガラス入りポリカーボネイト樹脂 UL94V-0 色:グレー POLYCARBONATE G.F. UL94V-0 COLOR:GRAY
④	シェル カバー SHELL COVER	58935-1028	1	りん青銅 t0.4 PHOSPHOR BRONZE t0.4
⑤	シェル ボディ SHELL BODY	58934-1028	1	メッキ仕様:ニッケル下地、錫メッキ PLATING:NICKEL BASE,TIN PLATING
⑥	ケーブルクランプ CABLE CLAMP	58937-0000	1	ステンレス鋼 STAINLESS STEEL
⑦	十字穴付きなべ小ネジ CROSS RECESSED PAN HEAD MACHINE SCREW	58203-0010	2	鋼(ネジサイズ:M2X5) STEEL (SCREW SIZE:M2X5)

注記: 1. 本製品は 54599-1015 の鉛フリー品である。
NOTES: THIS PRODUCT IS LEAD FREE OF 54599-1015.



54599-1019	54599-101*
MATERIAL NO.	MODEL NO.

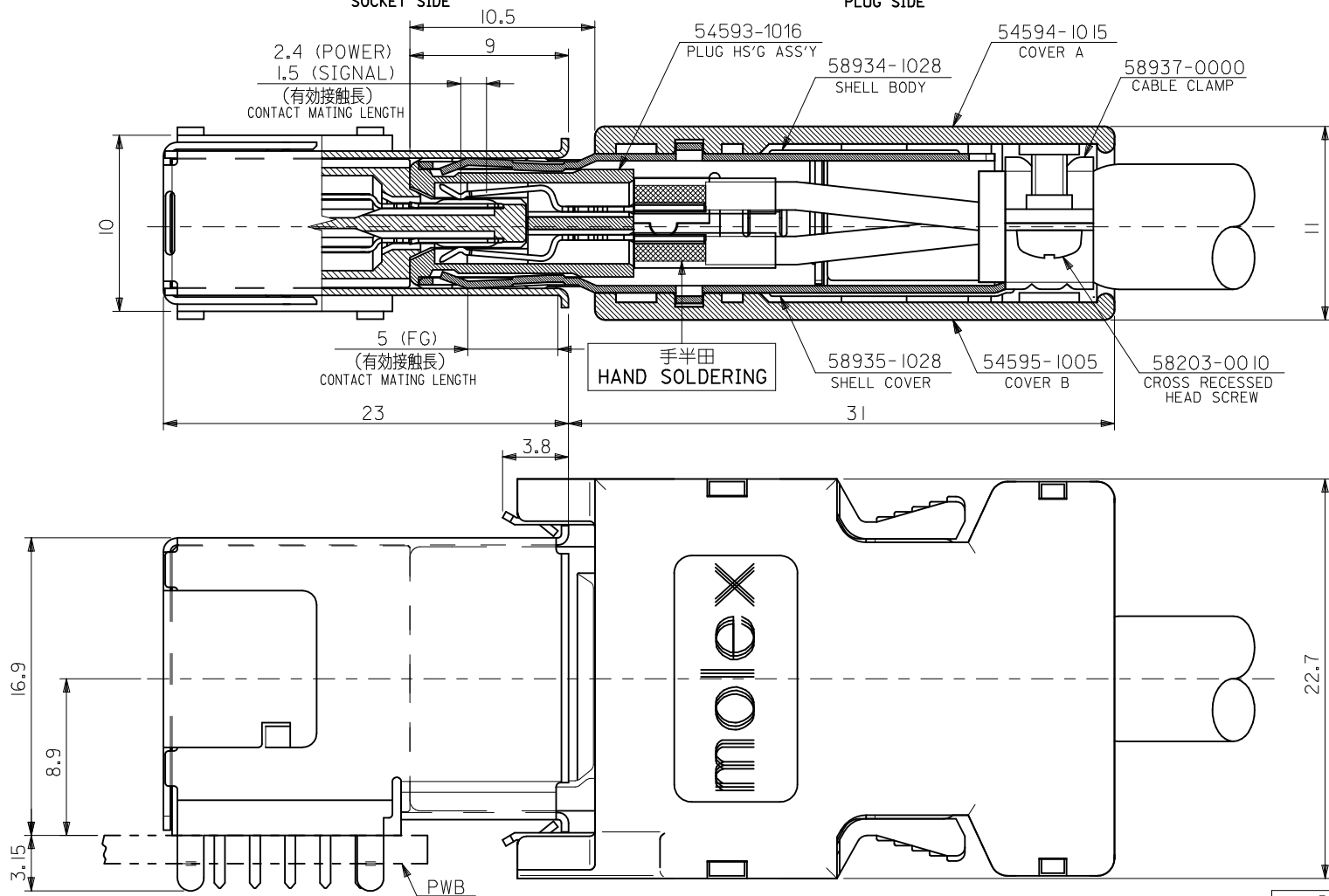
REVISED EC NO.: J2010-0635 DRW: NESATO 2010/02/25 CHKD: MATSUMOTO 2010/02/25 APPR: HIRATA 2010/02/25 REV: A	GENERAL TOLERANCES (UNLESS SPECIFIED)		DIMENSION STYLE MM ONLY	SCALE ---	DESIGN UNITS METRIC	THIRD ANGLE PROJECTION
	10 UNDER	± ---	DRAWN BY M. NABE I	DATE 2004/04/14	TITLE 2.0 I/O CONN. HAND/S TYPE PLUG SET -LEAD FREE-	
	10 OVER 30 UNDER	± ---	CHECKED BY K. TOJO	DATE 2004/04/14	MOLEX INCORPORATED	
	30 OVER	± ---	APPROVED BY HIRATA	DATE 2010/02/25	MATERIAL NO. SEE TABLE	DOCUMENT NO. SD-54599-006
ANGULAR ± --- ° DRAFT WHERE APPLICABLE MUST REMAIN WITHIN DIMENSIONS			SIZE A3	THIS DRAWING CONTAINS INFORMATION THAT IS PROPRIETARY TO MOLEX INCORPORATED AND SHOULD NOT BE USED WITHOUT WRITTEN PERMISSION		



REVISED EC NO: J2010-0635 DRW: NESATO 2010/02/25 CHKD: MATSUMOTO 2010/02/25 APPR: HIRATA 2010/02/25	DESCRIPTION GENERAL TOLERANCES (UNLESS SPECIFIED)	DIMENSION STYLE MM ONLY		SCALE ---	DESIGN UNITS METRIC	MODEL NO. 54599-101*		
		10 UNDER ± ---	DRAWN BY M. NABEI	DATE 2004/04/14	TITLE 2.0 I/O CONN. HAND/S TYPE PLUG SET -LEAD FREE-			
		10 OVER 30 UNDER ± ---	CHECKED BY K. TOJO	DATE 2004/04/14	MOLEX INCORPORATED			
		30 OVER ± ---	APPROVED BY HIRATA	DATE 2010/02/25	MATERIAL NO. SEE TABLE	DOCUMENT NO. SD-54599-006	SHEET NO. 2 OF 2	
A	ANGULAR ± --- ° DRAFT WHERE APPLICABLE MUST REMAIN WITHIN DIMENSIONS	THIS DRAWING CONTAINS INFORMATION THAT IS PROPRIETARY TO MOLEX INCORPORATED AND SHOULD NOT BE USED WITHOUT WRITTEN PERMISSION						

ソケット側 (55445-1019)
SOCKET SIDE

プラグ側 (54599-1019)
PLUG SIDE



REVISED EC NO.: J2010-0635 DRW: NESATO 2010/02/25 CHKD: MATSUMOTO 2010/02/25 APPR: HIRATA 2010/02/25 REV: A	GENERAL TOLERANCES (UNLESS SPECIFIED)		DIMENSION STYLE MM ONLY	SCALE ---	54599-101* DESIGN UNITS METRIC	MODEL NO.
	10 UNDER	± ---	DRAWN BY M. NABEI	DATE 2004/04/14	TITLE 2.0 I/O CONN. HAND/S TYPE PLUG SET -LEAD FREE-	
	10 OVER 30 UNDER	± ---	CHECKED BY K. TOJO	DATE 2004/04/14	MOLEX INCORPORATED	
	30 OVER	± ---	APPROVED BY HIRATA	DATE 2010/02/25	MATERIAL NO. SEE TABLE	DOCUMENT NO. SD-54599-006
ANGULAR ± --- °		DRAFT WHERE APPLICABLE MUST REMAIN WITHIN DIMENSIONS		SHEET NO. 3 OF 3		
THIS DRAWING CONTAINS INFORMATION THAT IS PROPRIETARY TO MOLEX INCORPORATED AND SHOULD NOT BE USED WITHOUT WRITTEN PERMISSION						