



Chipsmall Limited consists of a professional team with an average of over 10 year of expertise in the distribution of electronic components. Based in Hongkong, we have already established firm and mutual-benefit business relationships with customers from,Europe,America and south Asia,supplying obsolete and hard-to-find components to meet their specific needs.

With the principle of "Quality Parts,Customers Priority,Honest Operation,and Considerate Service",our business mainly focus on the distribution of electronic components. Line cards we deal with include Microchip,ALPS,ROHM,Xilinx,Pulse,ON,Everlight and Freescale. Main products comprise IC,Modules,Potentiometer,IC Socket,Relay,Connector.Our parts cover such applications as commercial,industrial, and automotives areas.

We are looking forward to setting up business relationship with you and hope to provide you with the best service and solution. Let us make a better world for our industry!



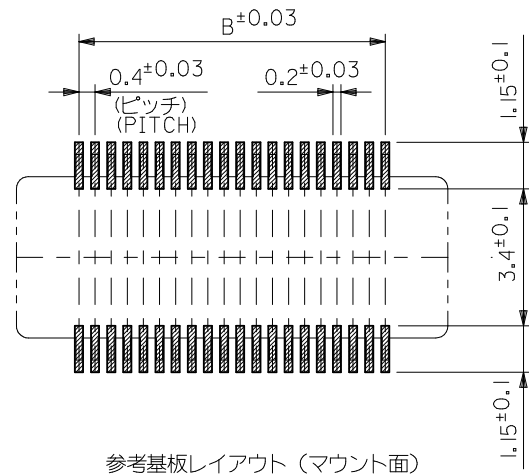
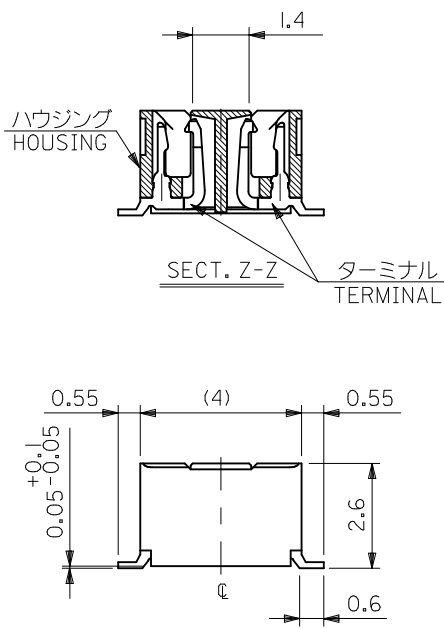
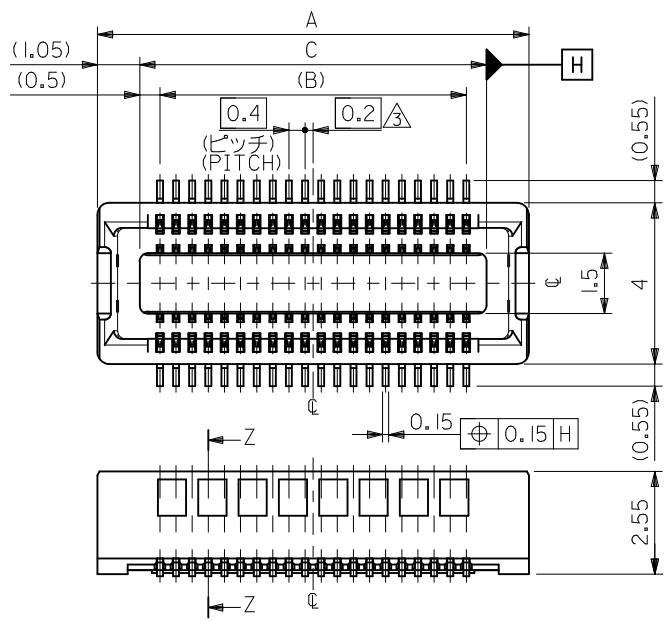
## Contact us

Tel: +86-755-8981 8866 Fax: +86-755-8427 6832

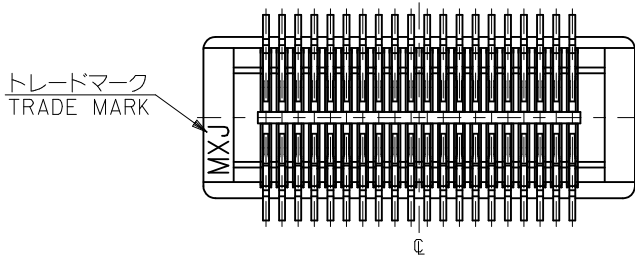
Email & Skype: info@chipsmall.com Web: www.chipsmall.com

Address: A1208, Overseas Decoration Building, #122 Zhenhua RD., Futian, Shenzhen, China





参考基板レイアウト (マウント面)  
RECOMMENDED P.C.BOARD  
PATTERN DIMENSION (REF.)  
(MOUNTING AREA)



注記 NOTES:

1. 使用材料 MATERIAL  
ハウジング: 液晶ポリマー ガラス充填 UL94V-0 茶色  
HOUSING: LIQUID CRYSTAL POLYMER  
GLASS FILLED UL94V-0  
COLOR BROWN  
ターミナル: リン青銅 (t=0.15)  
TERMINAL: PHOSPHOR BRONZE (t=0.15)
2. メッキ仕様 PLATING  
金メッキ 0.25 マイクロメートル以上 (コンタクト部)  
GOLD 0.25MICROMETER MINIMUM (CONTACT AREA)  
金メッキ 0.4 マイクロメートル以下 (テール部)  
GOLD 0.4MICROMETER MAXIMUM (TAIL AREA)  
下地メッキ: ニッケルメッキ 1.5 マイクロメートル以上  
UNDER PLATING: NICKEL 1.5MICROMETER MINIMUM

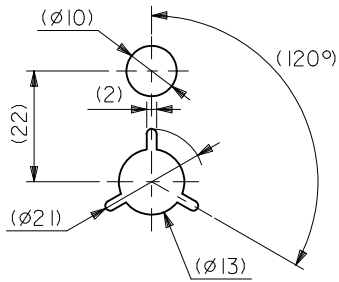
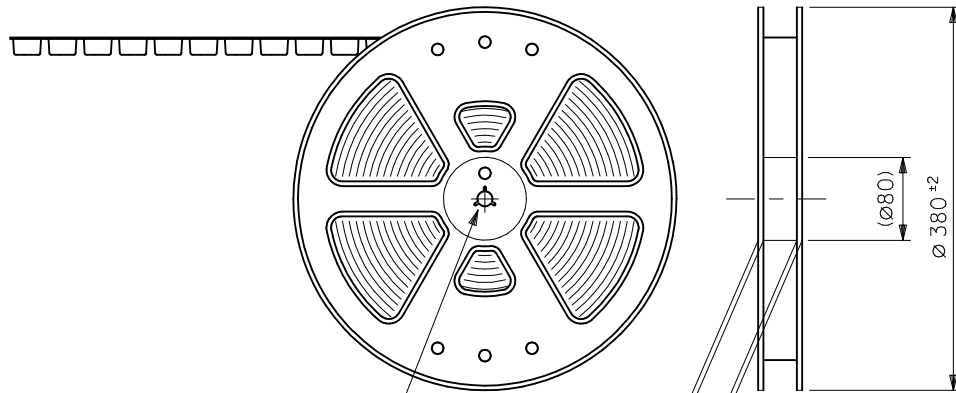
3. (全極数/2) = 偶数の場合に適用。  
APPLY FOR (CIRCUIT/2)=EVEN.
4. 嵌合相手: 55526.501017 シリーズ  
MATE WITH: 55526.501017 SERIES.
5. テール平坦度は、0.10 MAX.  
TAIL COPLANARITY TO BE 0.10 MAX.

30.6	29.6	32.7	54684-1507	150
24.6	23.6	26.7	54684-1207	120
12.6	11.6	14.7	54684-0607	60
10.6	9.6	12.7	54684-0507	50
C	B	A	MATERIAL NO.	CIRCUIT

MODEL NO. | 54684-\*\*\*7

REVISED EC NO: J2010-2046 DRWN: TARA101 2010/04/13 CHKD: YMIZUNO 2010/04/14 APPR: MSASAO 2010/04/16	GENERAL TOLERANCES (UNLESS SPECIFIED)		DIMENSION STYLE MM ONLY		SCALE ---		DESIGN UNITS METRIC		THIRD ANGLE PROJECTION	
	10 UNDER	±0.2	DRAWN BY	DATE	TITLE					
	10 OVER 30 UNDER	±0.25	SAIHARA	1999/10/02	0.4 B-TO-B CONN REC HSG ASSY NO BOSS					
	30 OVER	±0.3	CHECKED BY	DATE						
ANGULAR ±3 °		APPROVED BY		DATE		MOLEX INCORPORATED				
DRAFT WHERE APPLICABLE MUST REMAIN WITHIN DIMENSIONS		TYAMAGUCHI		2002/03/11						
SIZE A3		MATERIAL NO.		SEE TABLE		DOCUMENT NO.		SHEET NO.		
						SD-54684-003		1 OF 1		

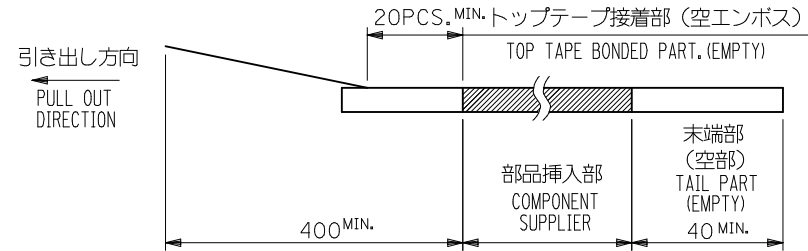
引き出し方向  
PULL OUT  
DIRECTION



DETAIL "F"

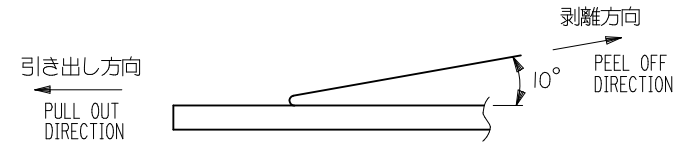
NOTES

- 製品詳細寸法については図面 SD-54684-003 を参照下さい。  
RE DETAILED DIMENSION, SEE SD-54684-003
- 梱包数量：1500個/リール  
NUMBER OF CONNECTORS：1500PCS/REEL
- リードテープ長さ LEAD TAPE LENGTH



- トップテープの剥離強度：0.1N ~ 0.7N(10.2gf ~ 71.4gf)  
(剥離方向は下図参照)

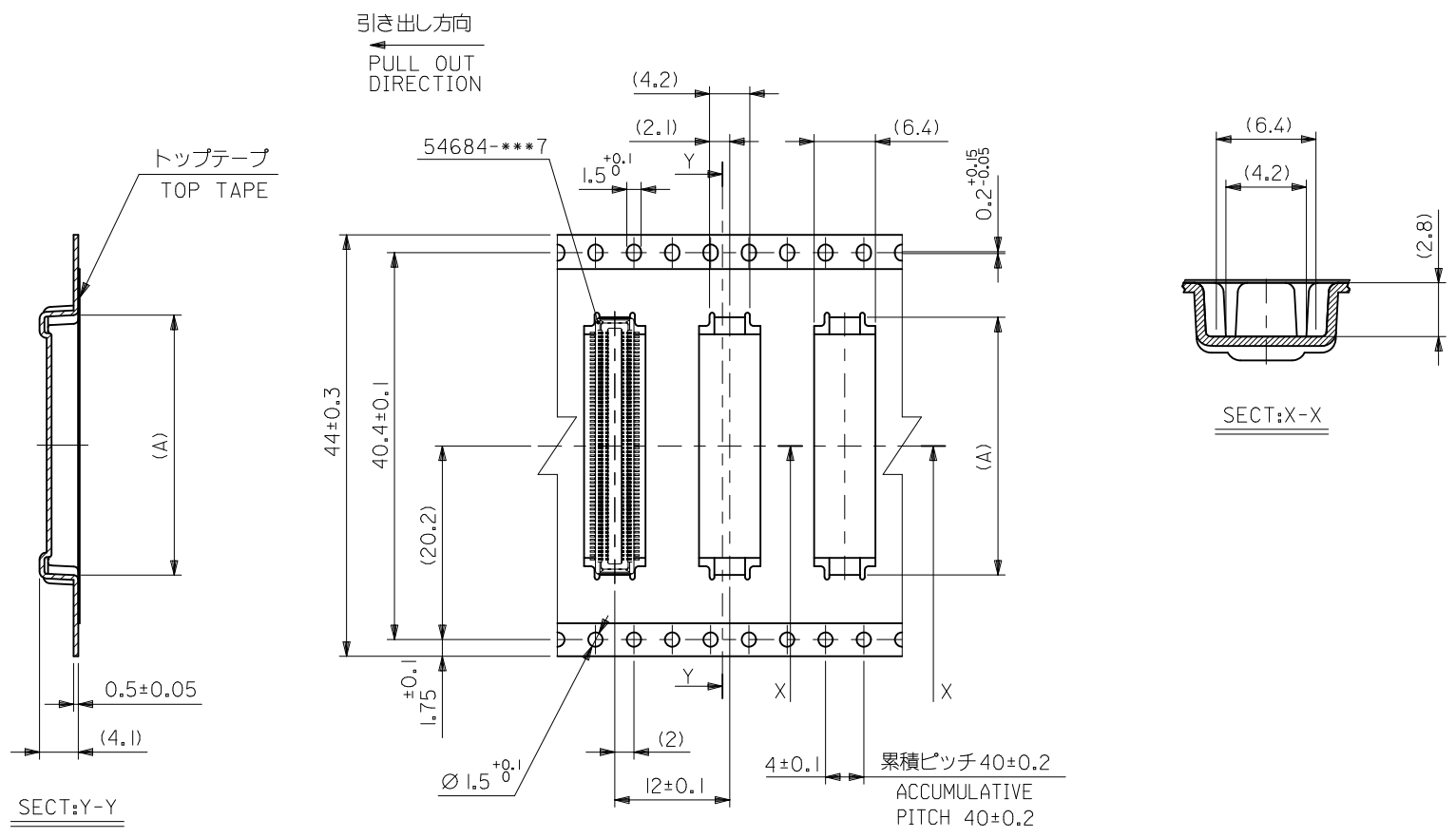
尚、本規格値は出荷時に適用。(但し、輸送時に剥離が発生しないこと。)  
PEELING OFF FORCE OF TOP TAPE：0.1N ~ 0.7N(10.2gf ~ 71.4gf)  
(PEELING DIRECTION AS SHOWN IN FOLLOWING FIG.)  
THIS REQUIREMENT SHOULD BE APPLIED AT SHIPMENT.  
PEEL OFF SHOULD NOT BE ALLOWED, DURING TRANSPORTATION.



- 材料(MATERIAL)  
キャリアテープ(CARRIER TAPE)：ポリプロピレン(POLYPROPYLENE)  
トップテープ(TOPTAPE)：PET, PE, PEF  
リール(REEL)：ポリスチレン(PS) <リサイクル材を含む>  
POLYSTYREN(PS) <RECYCLE MATERIAL CONTAINED>

MODEL NO. 54684-\*\*\*8

MATERIAL 材料	注記参照 SEE NOTES	REVISED EC NO: J2010-2046 DRWN: TARA101 2010/04/13 CHKD: Y. MIZUNO 2010/04/14 APPR: MSASAO 2010/04/16	GENERAL TOLERANCES (UNLESS SPECIFIED)		DIMENSION STYLE MM ONLY		SCALE ---	DESIGN UNITS METRIC	THIRD ANGLE PROJECTION
FINISH 仕上げ	//		10 UNDER	±0.2	DRAWN BY S. AIHARA	DATE 1999/10/02	TITLE 0.4 BTB CONN REC HSG ASSY NO BOSS EMBSTP PKG (H=3.5)		
WIRE RANGE 適用電線範囲	//		10 OVER 30 UNDER	±0.25	CHECKED BY Y. MIZUNO	DATE 2002/03/11	MOLEX INCORPORATED		
INS. RANGE 被覆外径	//		30 OVER	±0.3	APPROVED BY T. YAMAGUCHI	DATE 2002/03/11	DOCUMENT NO. SD-54684-004	SHEET NO. 1 OF 4	
			ANGULAR	±3 °	SEE TABLE		THIS DRAWING CONTAINS INFORMATION THAT IS PROPRIETARY TO MOLEX INCORPORATED AND SHOULD NOT BE USED WITHOUT WRITTEN PERMISSION		
			DRAFT WHERE APPLICABLE MUST REMAIN WITHIN DIMENSIONS						



44mm幅キャリアテープ  
44mm WIDTH CARRIER TAPE

44	49.4	45.4	26.9	54684-1208	120
キャリアテープ幅 CARRIER TAPE WIDTH	C	B	(A)	MATERIAL NO.	極数 CKT.

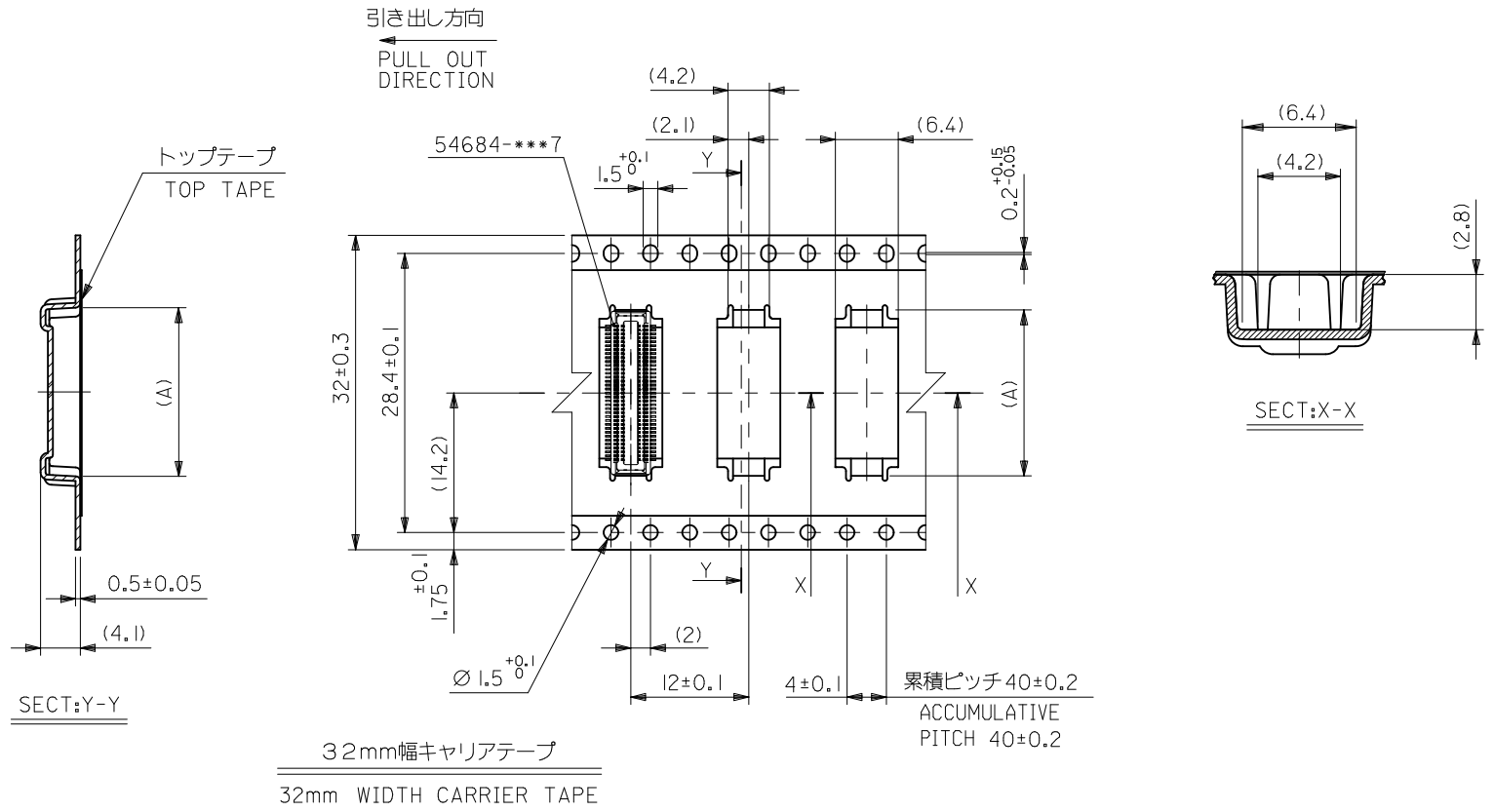
MATERIAL 材料	SHEET 1 OF 3 参照 REFER TO SHEET 1 OF 3
FINISH 仕上げ	//
WIRE RANGE 通用電線範囲	//
INS. RANGE 被覆外径	//

REVISED	EC NO: J2010-2046
DRWN: TARA101	2010/04/13
CHKD: Y. MIZUNO	T. 12010/04/14
APPR: MSASAO	2010/04/16

GENERAL TOLERANCES (UNLESS SPECIFIED)	
10 UNDER	±0.2
10 OVER 30 UNDER	±0.25
30 OVER	±0.3
ANGULAR	±3 °
DRAFT WHERE APPLICABLE MUST REMAIN WITHIN DIMENSIONS	

DIMENSION STYLE MM ONLY	
DRAWN BY S. AIHARA	DATE 1999/10/02
CHECKED BY Y. MIZUNO	DATE T. 1 2002/03/11
APPROVED BY T. YAMAGUCHI	DATE 2002/03/11
MATERIAL NO.	
SIZE A3	

SCALE ---	DESIGN UNITS METRIC	MODEL NO. 54684-***8	THIRD ANGLE PROJECTION
TITLE 0.4 BTB CONN REC HSG ASSY NO BOSS EMBSTP PKG (H=3.5)			
MOLEX INCORPORATED			SHEET NO. 2 OF 4
DOCUMENT NO. SD-54684-004			
THIS DRAWING CONTAINS INFORMATION THAT IS PROPRIETARY TO MOLEX INCORPORATED AND SHOULD NOT BE USED WITHOUT WRITTEN PERMISSION			



32	37.4	33.4	14.9	54684-0608	60
			12.9	54684-0508	50
キャリアテープ幅 CARRIER TAPE WIDTH	C	B	(A)	MATERIAL NO.	極数 CKT.

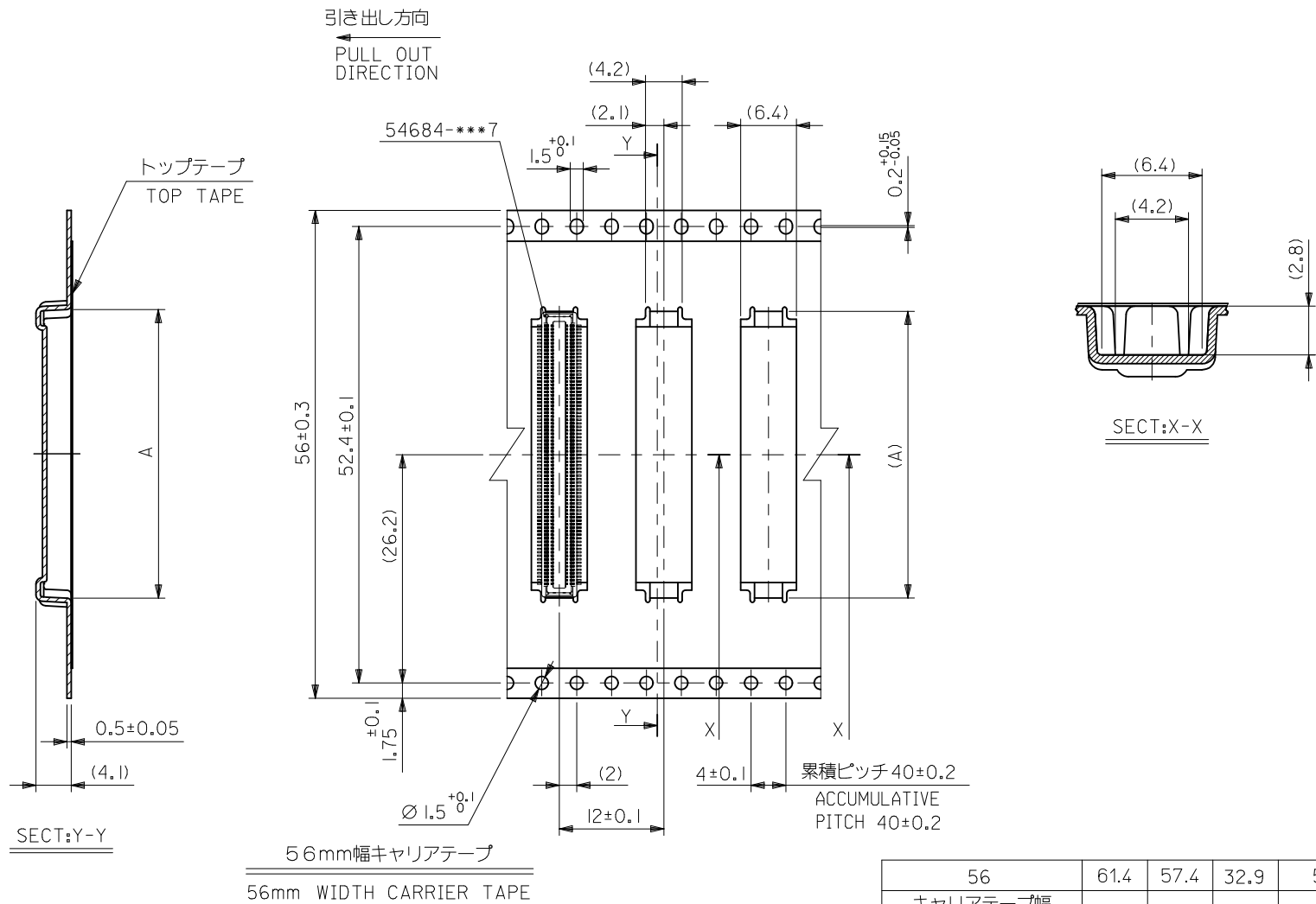
MATERIAL 材料	SHEET 1 OF 3 参照 REFER TO SHEET 1 OF 3
FINISH 仕上げ	//
WIRE RANGE 適用電線範囲	//
INS. RANGE 被覆外径	//

REVISED	EC NO: J2010-2046
DRWN: TARA 01	2010/04/13
CHKD: Y. MIZUNO	2010/04/14
APPR: MSASAO	2010/04/16

GENERAL TOLERANCES (UNLESS SPECIFIED)	
10 UNDER	±0.2
10 OVER 30 UNDER	±0.25
30 OVER	±0.3
ANGULAR	±3 °
DRAFT WHERE APPLICABLE MUST REMAIN WITHIN DIMENSIONS	

DIMENSION STYLE MM ONLY	
DRAWN BY	DATE
T. TSUBOI	2002/03/11
CHECKED BY	DATE
Y. MIZUNO	2002/03/11
APPROVED BY	DATE
T. YAMAGUCHI	2002/03/11
MATERIAL NO.	
SEE TABLE	
SIZE	A3

SCALE ---	DESIGN UNITS METRIC	THIRD ANGLE PROJECTION
TITLE 0.4 BTB CONN REC HSG ASSY NO BOSS EMBSTP PKG (H=3.5)		
MOLEX INCORPORATED		
DOCUMENT NO. SD-54684-004	SHEET NO. 3 OF 4	
THIS DRAWING CONTAINS INFORMATION THAT IS PROPRIETARY TO MOLEX INCORPORATED AND SHOULD NOT BE USED WITHOUT WRITTEN PERMISSION		



56	61.4	57.4	32.9	54684-1508	150
キャリアテープ幅 CARRIER TAPE WIDTH	C	B	A	MATERIAL NO.	極数 CIRCUIT
				MODEL NO.	54684-***8

MATERIAL 材料	SHEET 1 OF 3 参照 REFER TO SHEET 1 OF 3
FINISH 仕上げ	//
WIRE RANGE 適用電線範囲	//
INS. RANGE 被覆外径	//

REVISED	EC NO: J2010-2046	2010/04/13
	DRWN: TARA01	2010/04/14
	CHKD: Y. MIZUNO	2010/04/16
	APPR: MSASAO	2010/04/16

GENERAL TOLERANCES (UNLESS SPECIFIED)	
10 UNDER	±0.2
10 OVER 30 UNDER	±0.25
30 OVER	±0.3
ANGULAR	±3 °
DRAFT WHERE APPLICABLE MUST REMAIN WITHIN DIMENSIONS	

DIMENSION STYLE MM ONLY	
DRAWN BY	DATE
T. TSUBOI	2002/03/11
CHECKED BY	DATE
Y. MIZUNO	2002/03/11
APPROVED BY	DATE
T. YAMAGUCHI	2002/03/11
MATERIAL NO.	
SEE TABLE	
SIZE	A3

SCALE ---	DESIGN UNITS METRIC	THIRD ANGLE PROJECTION
TITLE 0.4 BTB CONN REC HSG ASS'Y NO BOSS EMBSTP PKG (H=3.5)		
MOLEX INCORPORATED		
DOCUMENT NO. SD-54684-004	SHEET NO. 4 OF 4	
THIS DRAWING CONTAINS INFORMATION THAT IS PROPRIETARY TO MOLEX INCORPORATED AND SHOULD NOT BE USED WITHOUT WRITTEN PERMISSION		