



Chipsmall Limited consists of a professional team with an average of over 10 year of expertise in the distribution of electronic components. Based in Hongkong, we have already established firm and mutual-benefit business relationships with customers from,Europe,America and south Asia,supplying obsolete and hard-to-find components to meet their specific needs.

With the principle of “Quality Parts,Customers Priority,Honest Operation,and Considerate Service”,our business mainly focus on the distribution of electronic components. Line cards we deal with include Microchip,ALPS,ROHM,Xilinx,Pulse,ON,Everlight and Freescale. Main products comprise IC,Modules,Potentiometer,IC Socket,Relay,Connector.Our parts cover such applications as commercial,industrial, and automotives areas.

We are looking forward to setting up business relationship with you and hope to provide you with the best service and solution. Let us make a better world for our industry!



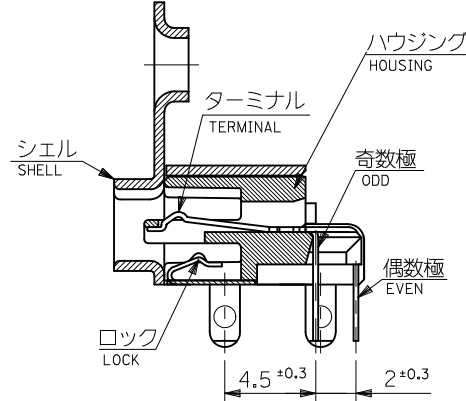
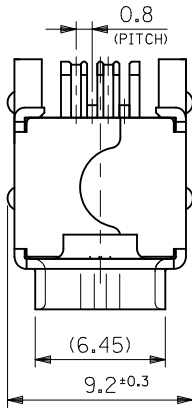
Contact us

Tel: +86-755-8981 8866 Fax: +86-755-8427 6832

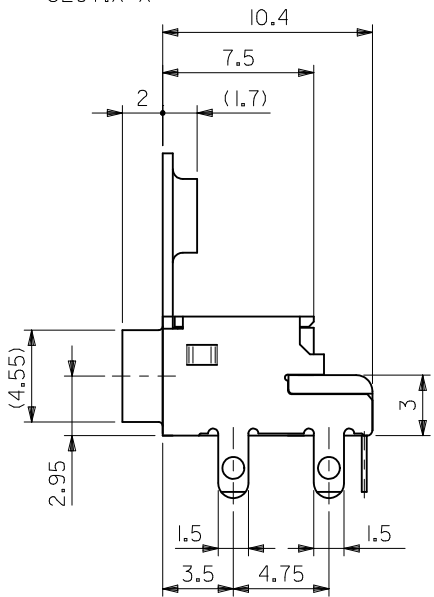
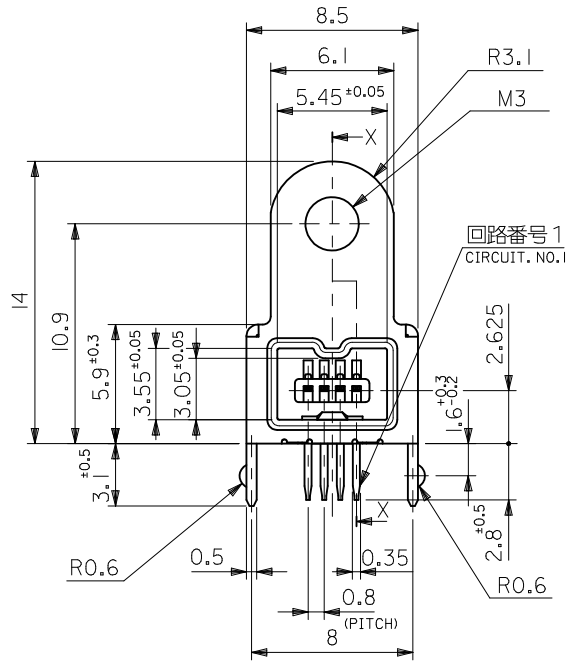
Email & Skype: info@chipsmall.com Web: www.chipsmall.com

Address: A1208, Overseas Decoration Building, #122 Zhenhua RD., Futian, Shenzhen, China

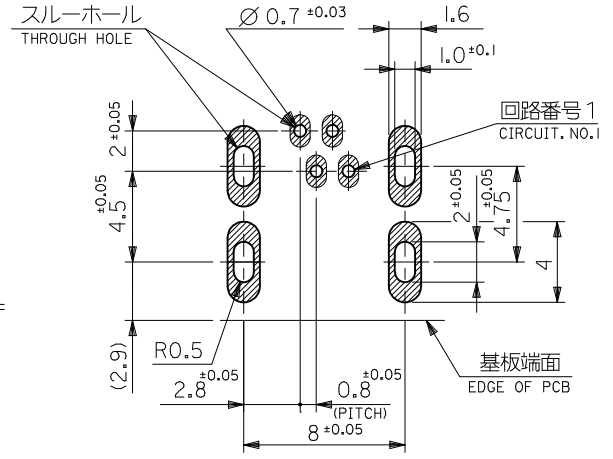




SECT. X-X



基板装着参考図 (シエル)
FIGURE OF MOUNTING (SHELL)



推奨基板寸法 (実装面側) (t=1.6)
REFERENCE USE ONLY PCB PATTERN LAYOUT

注記 NOTES

- 材質 MATERIAL
ハウジング: PA, UL94V-0
HOUSING: PA, UL94V-0
ターミナル: リン青銅 t=0.25
TERMINAL: PHOSPHOR BRONZE
メッキ PLATING 接点部: 金メッキ 0.76マイクロメートル以上
CONTACT AREA: GOLD 0.76 MICROMETER MIN.
半田付け部: 錫メッキ 1~3マイクロメートル
SOLDER TAIL AREA: Sn 1~3 MICROMETER
下地メッキ: ニッケルメッキ 1~3マイクロメートル
UNDER PLATING: NICKEL 1~3 MICROMETER.
シエル: 鋼 t=0.5
SHELL: STEEL
メッキ PLATING 半田付け部: 錫メッキ 1~3マイクロメートル
SOLDER TAIL AREA: Sn 1~3 MICROMETER
下地メッキ: ニッケルメッキ 1~3マイクロメートル
UNDER PLATING: NICKEL 1~3 MICROMETER.
ロック: リン青銅 t=0.2
LOCK: PHOSPHOR BRONZE
メッキ PLATING 錫メッキ 0.9マイクロメートル以上
TIN-PLATING: 0.9 MICROMETER MIN.
- この製品は54802-0431の鉛フリー品です。
THIS PRODUCT IS LEAD FREE OF 54802-0431.

54802-0439	4
TRAY PACKAGE	CKT.NO.
ORDER NO. オーダー番号	
CONNECTOR NO. 54802-0439	

REVISED EC NO: J2010-0296 DRWN: ASUZUKI 01 2009/08/24 CHKD: HATSUMOTO 05/12/02 APPR: HIRATA 2010/07/08	DESCRIPTION REV A	GENERAL TOLERANCES (UNLESS SPECIFIED)		DIMENSION STYLE MM ONLY		SCALE 4:1	DESIGN UNITS METRIC		THIRD ANGLE PROJECTION		
		10 UNDER ±0.2	10 OVER 30 UNDER ±0.25	30 OVER ±0.3	DRAWN BY TENAGASE	DATE 05/12/02	TITLE 0.8MM PITCH I/O CONN. SOCKET FLANGE TYPE (M3) FOR INVERSE				
		ANGULAR ±3 °			APPROVED BY ASHIMOTSU		DATE 05/12/02	DOCUMENT NO. SD-54802-003		SHEET NO. 1 OF 1	
		DRAFT WHERE APPLICABLE MUST REMAIN WITHIN DIMENSIONS			MATERIAL NO. SEE TABLE		MOLEX INCORPORATED				
SIZE A3		THIS DRAWING CONTAINS INFORMATION THAT IS PROPRIETARY TO MOLEX INCORPORATED AND SHOULD NOT BE USED WITHOUT WRITTEN PERMISSION									