



Chipsmall Limited consists of a professional team with an average of over 10 year of expertise in the distribution of electronic components. Based in Hongkong, we have already established firm and mutual-benefit business relationships with customers from,Europe,America and south Asia,supplying obsolete and hard-to-find components to meet their specific needs.

With the principle of "Quality Parts,Customers Priority,Honest Operation,and Considerate Service",our business mainly focus on the distribution of electronic components. Line cards we deal with include Microchip,ALPS,ROHM,Xilinx,Pulse,ON,Everlight and Freescale. Main products comprise IC,Modules,Potentiometer,IC Socket,Relay,Connector.Our parts cover such applications as commercial,industrial, and automotives areas.

We are looking forward to setting up business relationship with you and hope to provide you with the best service and solution. Let us make a better world for our industry!



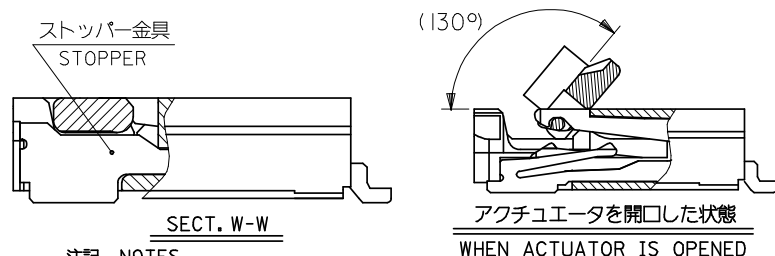
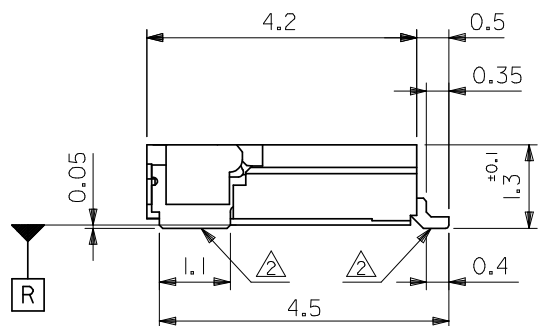
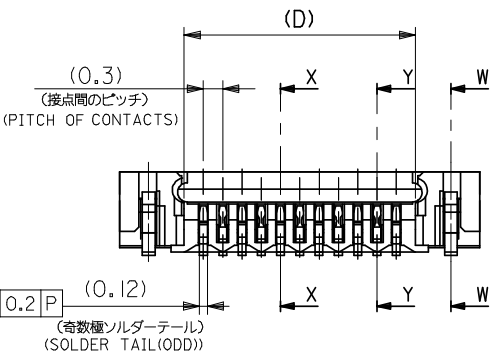
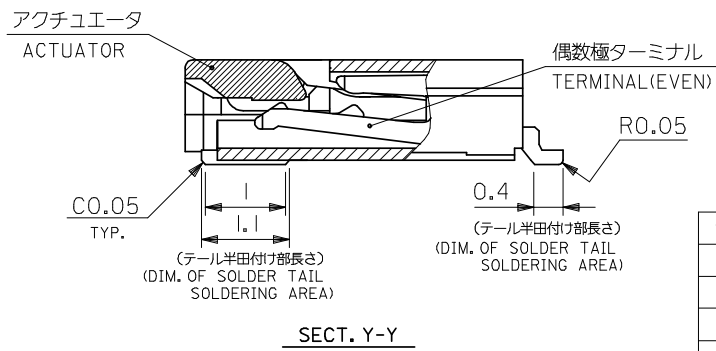
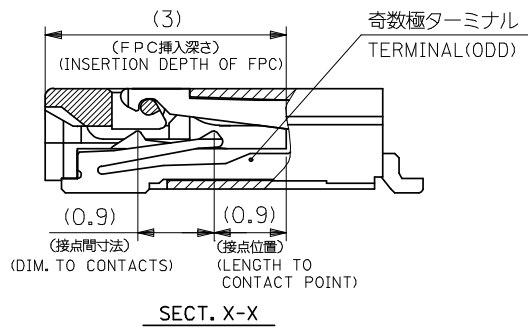
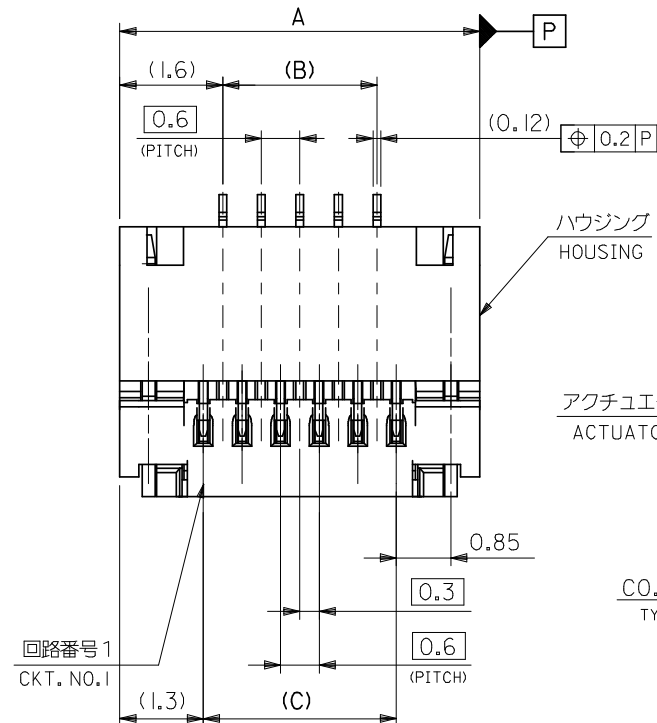
## Contact us

Tel: +86-755-8981 8866 Fax: +86-755-8427 6832

Email & Skype: info@chipsmall.com Web: www.chipsmall.com

Address: A1208, Overseas Decoration Building, #122 Zhenhua RD., Futian, Shenzhen, China



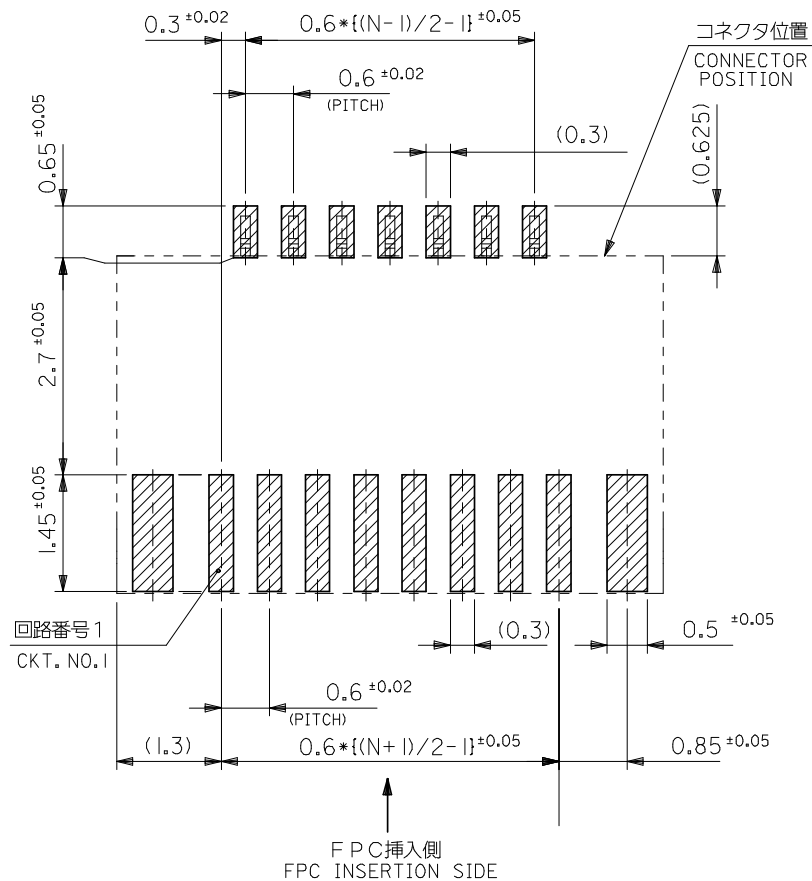


注記 NOTES

1. 使用材料 MATERIAL  
 ハウジング HOUSING : LCP , UL94V-0  
 アクチュエータ ACTUATOR : PA46 , UL94V-0  
 ターミナル : リン青銅 (t=0.12)、ニッケル下地 金メッキ  
 TERMINAL PHOSPHOR BRONZE, GOLD OVER NICKEL PLATING.  
 金具 : リン青銅 (t=0.2)、ニッケル下地 錫メッキ  
 STOPPER PHOSPHOR BRONZE, TIN OVER NICKEL PLATING.
2. ソルダーテール半田付け面のズレ量は、基準面 R に対し、  
 上方向0MAX.、下方向0.1MAXIMUMとする。  
 又、相互のバツキ量は0.1MAXIMUMとする。  
 MISALIGNMENT OF SOLDER TAILS AND FITTING NAILS FROM R  
 UPPER DIRECTION : 0 MAX., LOWER DIRECTION : 0.1 MAXIMUM  
 OFFSET BETWEEN SOLDER TAILS AND FITTING NAILS : 0.1 MAXIMUM
3. 一般公差 : ±0.3  
 GENERAL TOLERANCES : ±0.3
4. 本製品は 54809-\*\*67 の鉛フリー品である。  
 THIS PRODUCT IS LEAD FREE OF 54809-\*\*67.

18.6	18.0	17.4	20.6	54809-6175	54809-6169	61
15.6	15.0	14.4	17.6	54809-5175	54809-5169	51
13.8	13.2	12.6	15.8	54809-4575	54809-4569	45
12.0	11.4	10.8	14.0	54809-3975	54809-3969	39
11.4	10.8	10.2	13.4	54809-3775	54809-3769	37
10.8	10.2	9.6	12.8	54809-3575	54809-3569	35
10.2	9.6	9.0	12.2	54809-3375	54809-3369	33
9.6	9.0	8.4	11.6	54809-3175	54809-3169	31
8.4	7.8	7.2	10.4	54809-2775	54809-2769	27
7.8	7.2	6.6	9.8	54809-2575	54809-2569	25
6.6	6.0	5.4	8.6	54809-2175	54809-2169	21
6.0	5.4	4.8	8.0	54809-1975	54809-1969	19
4.8	4.2	3.6	6.8	54809-1575	54809-1569	15
3.6	3.0	2.4	5.6	54809-1175	54809-1169	11
D	C	B	A	EMBOSSED TAPE		MATERIAL NO. CIRCUITS
				ORDER No. オーダー番号		

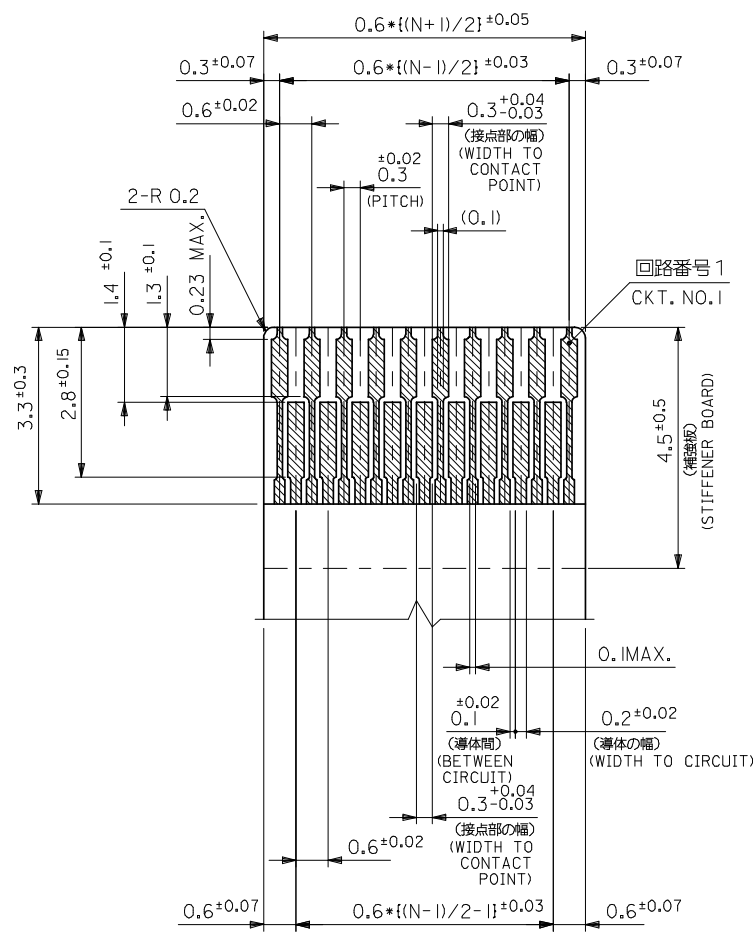
REVISED EC NO: J2008-4034 DRW: MWABEI CHKD: THARYAMA APPR: NUKITA 2008/05/28 2008/05/28 2008/05/28	GENERAL TOLERANCES (UNLESS SPECIFIED)		DIMENSION STYLE MM ONLY		SCALE ---	DESIGN UNITS METRIC	THIRD ANGLE PROJECTION
	10 UNDER	±0.2	DRAWN BY TUENO	DATE '04/02/10	TITLE 0.3 FPC CONN E/O HSG ASSY GOLD PLT H=1.3 -LEAD FREE-		
	10 OVER 30 UNDER	±0.25	CHECKED BY MSASAO	DATE '04/02/10			
	30 OVER	±0.3	APPROVED BY MSASAO	DATE '04/02/10	MOLEX INCORPORATED		
	ANGULAR	±3 °	MATERIAL NO. SEE TABLE				
DRAFT WHERE APPLICABLE MUST REMAIN WITHIN DIMENSIONS			THIS DRAWING CONTAINS INFORMATION THAT IS PROPRIETARY TO MOLEX INCORPORATED AND SHOULD NOT BE USED WITHOUT WRITTEN PERMISSION				



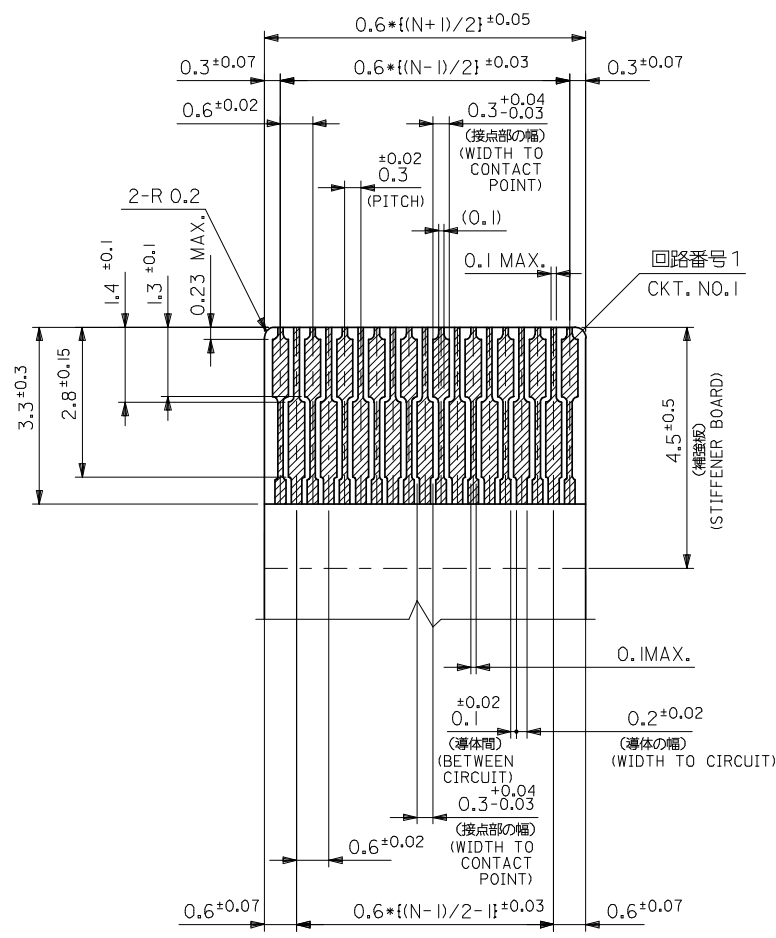
参考基板レイアウト  
RECOMMENDED P.C.BOARD  
PATTERN DIM. (REF.)

(マウント面)  
(MOUNTING SIDE)

REVISED EC NO: J2008-4034 DRWN: NABEI CHKD: THARYAMA APPR: NUKITA 2008/05/28 2008/05/28 2008/05/28	GENERAL TOLERANCES (UNLESS SPECIFIED)		DIMENSION STYLE MM ONLY		54809-***69		MODEL NO.	
	10 UNDER ±0.2		DRAWN BY DATE TUENO '04/02/10		SCALE ---	DESIGN UNITS METRIC	◎ THIRD ANGLE □ PROJECTION	
	10 OVER 30 UNDER ±0.25		CHECKED BY DATE MSASAO '04/02/10		TITLE 0.3 FPC CONN E/O HSG ASSY GOLD PLT H=1.3 -LEAD FREE-			
	30 OVER ±0.3		APPROVED BY DATE MSASAO '04/02/10		MOLEX INCORPORATED			SHEET NO. 2 OF 3
	ANGULAR ±--- °		MATERIAL NO. SEE SHEET 1		DOCUMENT NO. SD-54809-038			
	DRAFT WHERE APPLICABLE MUST REMAIN WITHIN DIMENSIONS		SIZE A3		THIS DRAWING CONTAINS INFORMATION THAT IS PROPRIETARY TO MOLEX INCORPORATED AND SHOULD NOT BE USED WITHOUT WRITTEN PERMISSION			



適合FPC推奨寸法 1  
 APPLICABLE FPC  
 RECOMMENDED DIM. NO.1  
 (仕上がり厚さ:  $0.2 \pm 0.03$ )  
 (THICKNESS :  $0.2 \pm 0.03$ )



適合FPC推奨寸法 2  
 APPLICABLE FPC  
 RECOMMENDED DIM. NO.2  
 (仕上がり厚さ:  $0.2 \pm 0.03$ )  
 (THICKNESS :  $0.2 \pm 0.03$ )

FPCについて:  
 打抜き方向は導体側から補強板側を推奨致します。  
 補強フィルム材質はポリイミドを推奨致します。  
 接着剤は熱硬化接着剤を推奨致します。

ABOUT FPC :  
 RECOMMENDED PUNCHER DIRECTION :  
 FROM CONDUCTOR SIDE TO STIFFENER BOARD SIDE.  
 RECOMMENDED MATERIAL :  
 STIFFENER FILM : POLYIMIDE  
 BONDING AGENT : THERMOSETTING BONDING AGENT

REVISED EC NO: J2008-4034 DRWN: MWABEI 2008/05/28 CHKD: THARUYAMA 2008/05/28 APPR: NUKITA 2008/05/28	GENERAL TOLERANCES (UNLESS SPECIFIED)		DIMENSION STYLE MM ONLY		54809-***69	MODEL NO.
	10 UNDER	±0.2	DRAWN BY	DATE	SCALE ---	DESIGN UNITS METRIC
	10 OVER 30 UNDER	±0.25	YSAKIYAM	'04/06/15	TITLE	
	30 OVER	±0.3	CHECKED BY	DATE	0.3 FPC CONN E/O HSG ASSY GOLD PLT H=1.3 -LEAD FREE-	
	ANGULAR	±3 °	MHAYASHI	'04/06/15	MOLEX INCORPORATED	
DRAFT WHERE APPLICABLE MUST REMAIN WITHIN DIMENSIONS	SEE SHEET 1		MATERIAL NO.		DOCUMENT NO.	
	THIS DRAWING CONTAINS INFORMATION THAT IS PROPRIETARY TO MOLEX INCORPORATED AND SHOULD NOT BE USED WITHOUT WRITTEN PERMISSION		SD-54809-038		SHEET NO. 3 OF 3	
	SIZE A3					

F

E

D

C

B

A

F

E

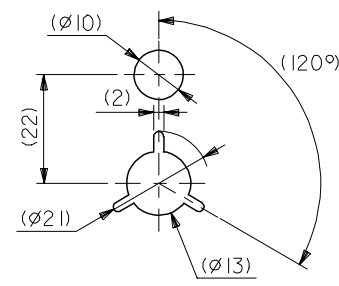
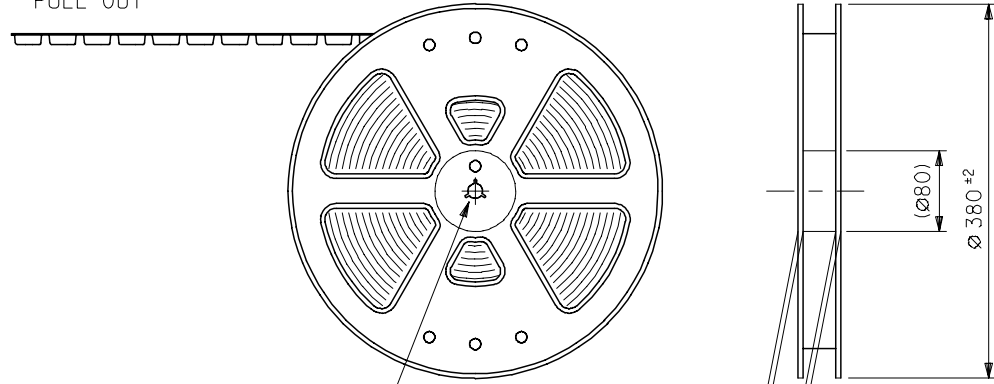
D

C

B

A

引き出し方向  
PULL OUT

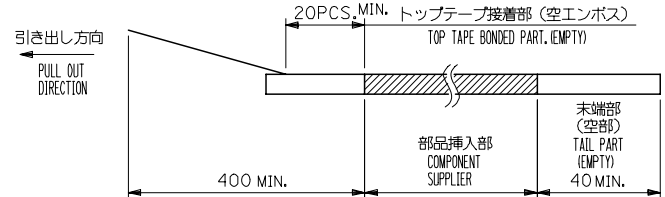


DETAIL "F"

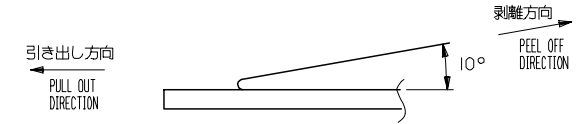
D ± 1  
E ± 1

注記 NOTES

- 製品詳細寸法については、図面SD-54809-038を参照下さい。  
RE DETAILED DIMENSION, SEE SD-54809-038.
- 梱包数量：2500個/リール  
NUMBER OF CONNECTORS : 2500PCS/REEL
- リードテープ長さ LEAD TAPE LENGTH



- トップテープの剥離強度：0.1N~1.3N (10gf~130gf)  
(剥離方向は下図参照)  
尚、本規格値は出荷時に適用。(但し、輸送時に剥離が発生しないこと。)  
PEELING OFF FORCE OF TOP TAPE : 0.1N ~ 1.3N (10gf ~ 130gf)  
(PEELING DIRECTION AS SHOWN IN FOLLOWING FIG.)  
THIS REQUIREMENT SHOULD BE APPLIED AT SHIPMENT.  
PEEL OFF SHOULD NOT BE ALLOWED, DURING TRANSPORTATION.



- 材料 (MATERIAL)  
キャリアテープ (CARRIER TAPE) : ポリプロピレン (POLYPROPYLENE)  
トップテープ (TOP TAPE) : PET, PE, PEF  
リール (REEL) : ポリスチレン (PS) <リサイクル材を含む>  
POLYSTYRENE (PS) <RECYCLE MATERIAL CONTAINED>
- 本製品は 54809-\*\*95 の鉛フリー品である。  
THIS PRODUCT IS LEAD FREE OF 54809-\*\*95.

REVISED EC NO: J2006-0662 DRAWN: NABE 2005/08/31 CHKD: TOYODA 2005/09/01 APPR: NUKITA 2005/09/06	GENERAL TOLERANCES (UNLESS SPECIFIED)		DIMENSION STYLE MM ONLY		54809-**75 MODEL NO.		
	10 UNDER	± 0.2	DRAWN BY	DATE	SCALE	DESIGN UNITS	
	10 OVER 30 UNDER	± 0.25	TUENO	'04/02/10	---	METRIC	
	30 OVER	± 0.3	CHECKED BY	DATE	THIRD ANGLE PROJECTION		
	ANGULAR	± 3 °	MSASAO	'04/02/10	TITLE		
	DRAFT WHERE APPLICABLE MUST REMAIN WITHIN DIMENSIONS		MSASAO	'04/02/10	EMBSTP PKG FOR 0.3 FPC CONN E/O GOLD PLT H=1.3 -LEAD FREE-		
			MATERIAL NO.		DOCUMENT NO.		
			SEE CHART		SD-54809-039		
			SIZE A3		SHEET NO.		
				THIS DRAWING CONTAINS INFORMATION THAT IS PROPRIETARY TO MOLEX INCORPORATED AND SHOULD NOT BE USED WITHOUT WRITTEN PERMISSION			

10 9 8 7 6 5 4 3 2 1

F

E

D

C

B

A

F

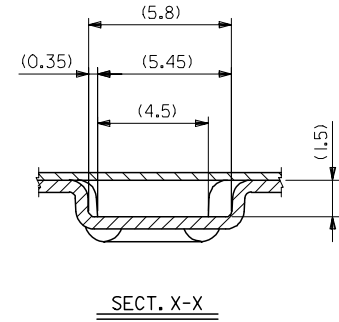
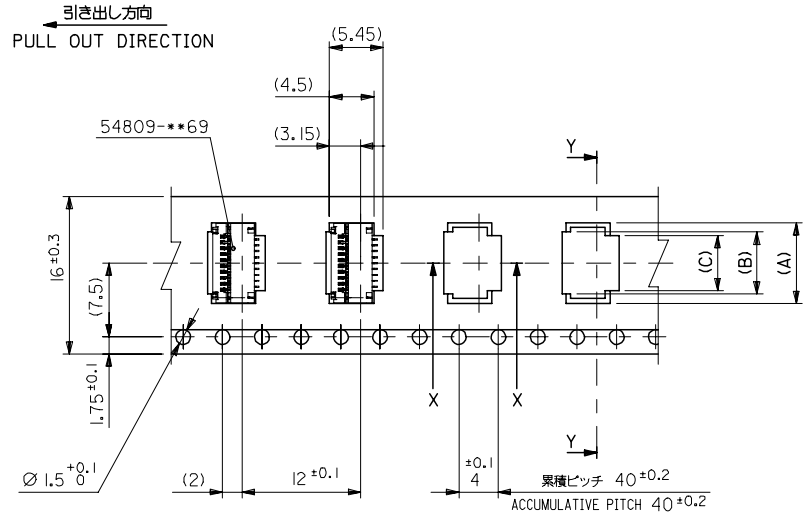
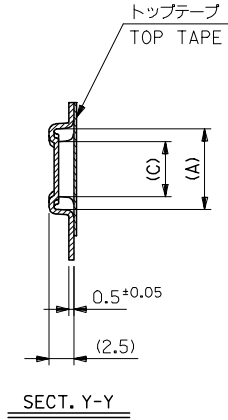
E

D

C

B

A



16mm幅キャリアテープ  
16mm WIDTH CARRIER TAPE

16	21.4	17.4	6.2	6.9	8.8	54809-2175	21
			5.6	6.3	8.2	54809-1975	19
			4.4	5.1	7.0	54809-1575	15
			3.2	3.9	5.8	54809-1175	11
キャリアテープ幅 CARRIER TAPE WIDTH	E	D	C	B	A	MATERIAL NO.	機能 CKT.

REVISED EC NO: J2006-0662 DRWN: NABE 2005/08/31 CHKDK: TOYODA 2005/09/01 APPR: NUKITA 2005/09/06	GENERAL TOLERANCES (UNLESS SPECIFIED)		DIMENSION STYLE MM ONLY		SCALE ---	DESIGN UNITS METRIC	THIRD ANGLE PROJECTION
	10 UNDER	± 0.2	DRAWN BY TUENO	DATE '04/02/10	TITLE EMBSTP PKG FOR 0.3 FPC CONN E/O GOLD PLT H=1.3 -LEAD FREE-		
	10 OVER 30 UNDER	± 0.25	CHECKED BY MSASAO	DATE '04/02/10	MOLEX INCORPORATED		
	30 OVER	± 0.3	APPROVED BY MSASAO	DATE '04/02/10	MATERIAL NO. SEE CHRAT		
	ANGULAR	± 3 °	DRAFT WHERE APPLICABLE MUST REMAIN WITHIN DIMENSIONS		DOCUMENT NO. SD-54809-039	SHEET NO. 2 OF 4	

9

8

7

6

5

4

3

2

10 9 8 7 6 5 4 3 2 1

F

E

D

C

B

A

F

E

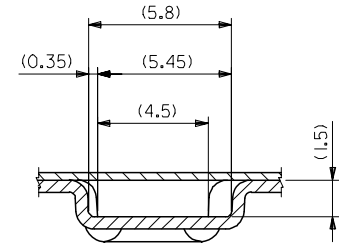
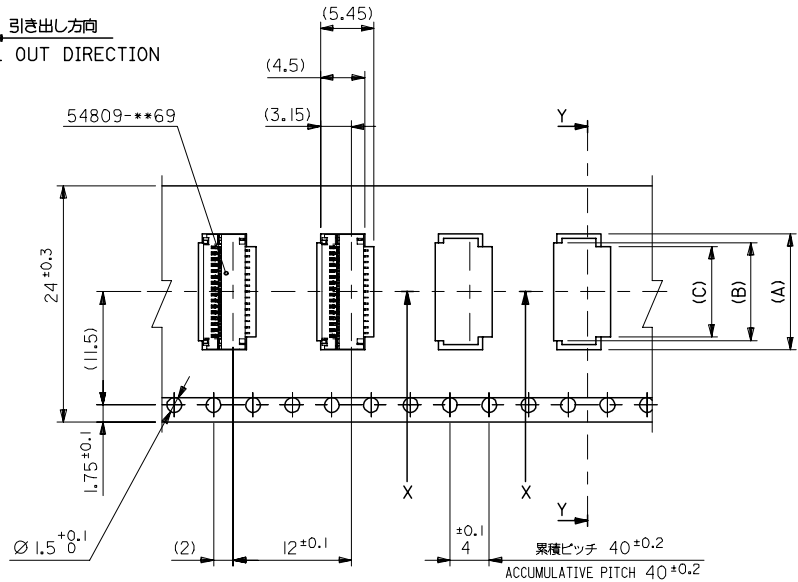
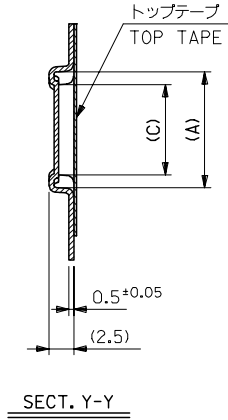
D

C

B

A

引き出し方向  
PULL OUT DIRECTION



SECT. X-X

24mm幅キャリアテープ  
24mm WIDTH CARRIER TAPE

24	29.4	25.4	13.4	14.1	16.0	54809-4575	45
			11.6	12.3	14.2	54809-3975	39
			11.0	11.7	13.6	54809-3775	37
			10.4	11.1	13.0	54809-3575	35
			9.8	10.5	12.4	54809-3375	33
			9.2	9.9	11.8	54809-3175	31
			8.0	8.7	10.6	54809-2775	27
7.4	8.1	10.0	54809-2575	25			
キャリアテープ幅 CARRIER TAPE WIDTH	E	D	C	B	A	MATERIAL NO.	機種 CKT.

REVISED	DESCRIPTION
EC NO: J2006-0662	2005/08/31
DRWN: NABEI	2005/09/01
CHKD: KTOYODA	2005/09/06
APPR: NUKITA	

GENERAL TOLERANCES (UNLESS SPECIFIED)	
10 UNDER	± 0.2
10 OVER 30 UNDER	± 0.25
30 OVER	± 0.3
ANGULAR	± 3 °
DRAFT WHERE APPLICABLE MUST REMAIN WITHIN DIMENSIONS	

DIMENSION STYLE MM ONLY	
DRAWN BY	DATE
TUENO	'04/02/10
CHECKED BY	DATE
MSASAO	'04/02/10
APPROVED BY	DATE
MSASAO	'04/02/10
MATERIAL NO. SEE CAHRT	

SCALE	DESIGN UNITS	MODEL NO.
---	METRIC	54809-***75
THIRD ANGLE PROJECTION		
TITLE EMBSTP PKG FOR 0.3 FPC CONN E/O GOLD PLT H=1.3 -LEAD FREE-		
MOLEX INCORPORATED		SHEET NO.
DOCUMENT NO. SD-54809-039		3 OF 4
THIS DRAWING CONTAINS INFORMATION THAT IS PROPRIETARY TO MOLEX INCORPORATED AND SHOULD NOT BE USED WITHOUT WRITTEN PERMISSION		

9

8

7

6

5

4

3

2

10 9 8 7 6 5 4 3 2 1

F

E

D

C

B

A

F

E

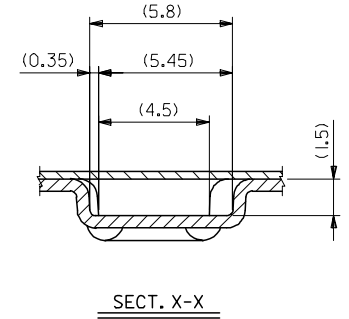
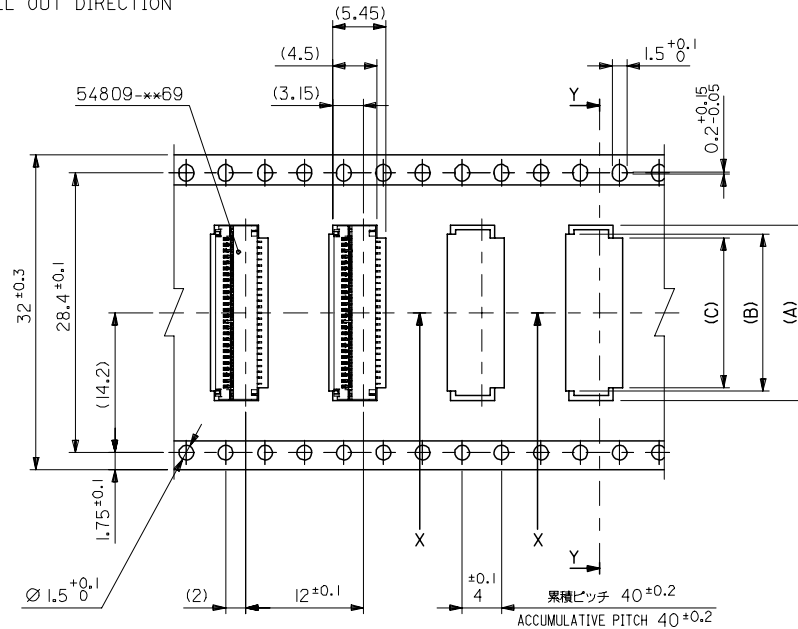
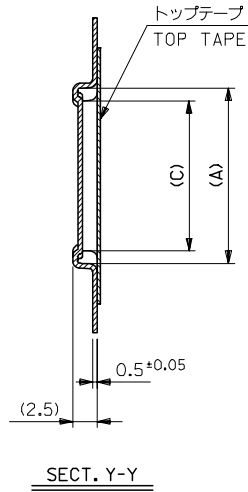
D

C

B

A

引き出し方向  
PULL OUT DIRECTION



32mm幅キャリアテープ  
32mm WIDTH CARRIER TAPE

32	37.4	33.4	18.2	18.9	20.8	54809-6175	61
キャリアテープ幅 CARRIER TAPE WIDTH	E	D	C	B	A	MATERIAL NO.	極数 CIRCUITS
54809-***75						MODEL NO.	

REVISED EC NO: J2006-0662 DRWN: NABEI CHKD: KTOYODA APPR: NUKITA	GENERAL TOLERANCES (UNLESS SPECIFIED)		DIMENSION STYLE MM ONLY		SCALE ---	DESIGN UNITS METRIC	THIRD ANGLE PROJECTION
	10 UNDER	±0.2	DRAWN BY TUENO	DATE '04/02/10	TITLE EMBSTP PKG FOR 0.3 FPC CONN E/O GOLD PLT H=1.3 -LEAD FREE-		
	10 OVER 30 UNDER	±0.25	CHECKED BY MSASAO	DATE '04/02/10	MOLEX INCORPORATED		
	30 OVER	±0.3	APPROVED BY MSASAO	DATE '04/02/10	MATERIAL NO. SEE CHART	DOCUMENT NO. SD-54809-039	SHEET NO. 4 OF 4
ANGULAR	±3 °	DRAFT WHERE APPLICABLE MUST REMAIN WITHIN DIMENSIONS		THIS DRAWING CONTAINS INFORMATION THAT IS PROPRIETARY TO MOLEX INCORPORATED AND SHOULD NOT BE USED WITHOUT WRITTEN PERMISSION			

9

8

7

6

5

4

3

2