



Chipsmall Limited consists of a professional team with an average of over 10 year of expertise in the distribution of electronic components. Based in Hongkong, we have already established firm and mutual-benefit business relationships with customers from,Europe,America and south Asia,supplying obsolete and hard-to-find components to meet their specific needs.

With the principle of “Quality Parts,Customers Priority,Honest Operation,and Considerate Service”,our business mainly focus on the distribution of electronic components. Line cards we deal with include Microchip,ALPS,ROHM,Xilinx,Pulse,ON,Everlight and Freescale. Main products comprise IC,Modules,Potentiometer,IC Socket,Relay,Connector.Our parts cover such applications as commercial,industrial, and automotives areas.

We are looking forward to setting up business relationship with you and hope to provide you with the best service and solution. Let us make a better world for our industry!



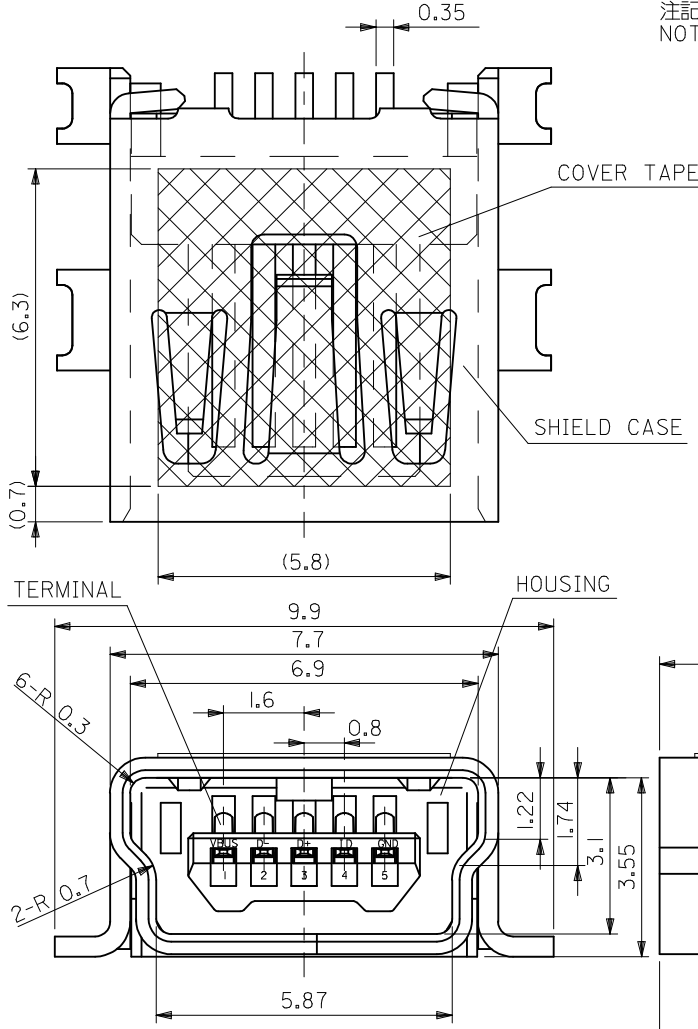
Contact us

Tel: +86-755-8981 8866 Fax: +86-755-8427 6832

Email & Skype: info@chipsmall.com Web: www.chipsmall.com

Address: A1208, Overseas Decoration Building, #122 Zhenhua RD., Futian, Shenzhen, China

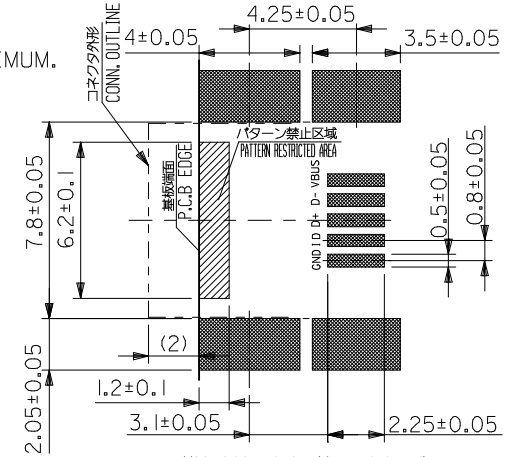




注記 1. 材質
 NOTES MATERIAL
 ハウジング: ポリアミド, ガラス充填, 黒色, UL94V-0
 HOUSING: PA, GLASS FILLED, BLACK, UL94V-0
 ターミナル: 銅合金 (t=0.2)
 TERMINAL: COPPER ALLOY (t=0.2)
 シールド ケース: 銅合金 (t=0.4)
 SHIELD CASE: COPPER ALLOY (t=0.4)
 カバー テープ: ポリイミド (t=0.08)
 COVER TAPE: POLYIMIDE (t=0.08)

2. メッキ仕様
 PLATING
 ターミナル
 TERMINAL
 接点部: 金メッキ 0.75 MICROMETER MIN.
 CONTACT AREA: GOLD 0.75 MICROMETER MINIMUM.
 半田付け部: 錫メッキ 無光沢 1.0 MICROMETER MIN.
 SOLDER TAIL AREA: MATTE TIN 1.0 MICROMETER MINIMUM.
 下地部: ニッケルメッキ 4.0 MICROMETER MIN.
 UNDER PLATING: NICKEL 4.0 MICROMETER MINIMUM.
 シールド ケース
 SHIELD CASE
 : 錫メッキ 半光沢 1.0 MICROMETER MIN.
 : SEMI-MATTE TIN 1.0 MICROMETER MINIMUM.
 下地部: ニッケルメッキ 4.0 MICROMETER MIN.
 UNDER PLATING: NICKEL 4.0 MICROMETER MINIMUM.

3. テール、ネイル平坦度は0.1mm MAX.
 TAIL, NAIL COPLANARITY 0.1mm MAX.
 4. 本製品は54819-0571の鉛フリー品である。
 THIS PRODUCT IS LEAD FREE OF 54819-0571.

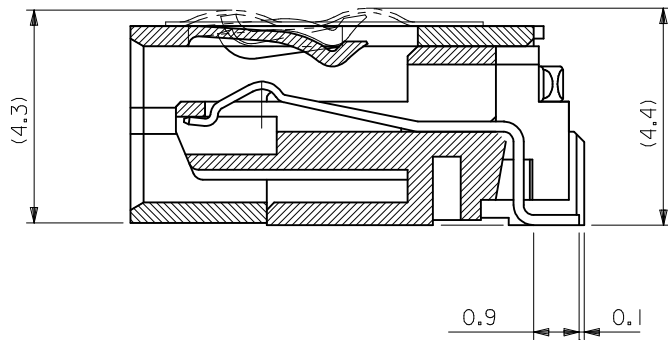


推奨基板寸法 (部品実装側)
 RECOMMENDED P.C.B. PATTERN LAYOUT (PART MOUNT SIDE)

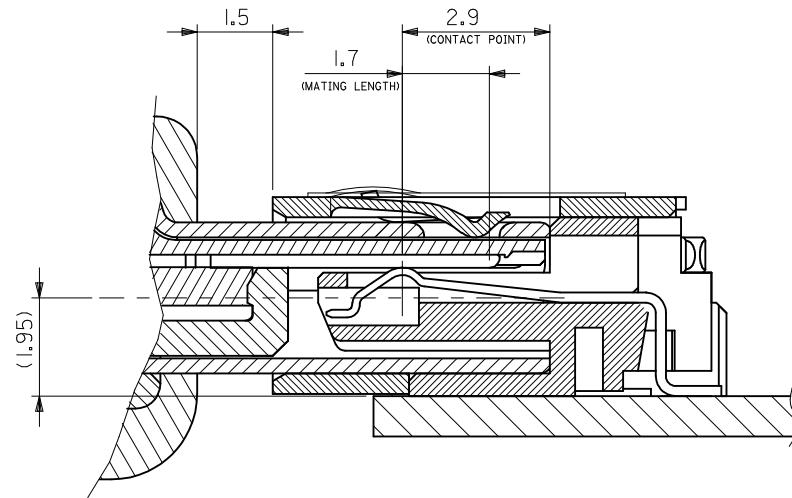
54819-0572	54819-0579
EMBOSSD TAPE	MATERIAL No.
ORDER No.	
MODEL No.54819-**-79	

REVISED EC NO: J2009-1533 DR: WAKESATO 2009/06/25 CHKD: MATSUMOTO 2009/06/25 APPR: NUKITA 2009/06/25	GENERAL TOLERANCES (UNLESS SPECIFIED)		DIMENSION STYLE MM ONLY		SCALE 10:1		DESIGN UNITS METRIC		THIRD ANGLE PROJECTION	
	10 UNDER	±0.2	DRAWN BY	DATE	TITLE					
	10 OVER 30 UNDER	±0.25	H. KAWABATA	2004/05/21	USB SERIES MINI-B RECEPTACLE ASS'Y FOR SMT -LEAD FREE- MOLEX INCORPORATED					
	30 OVER	±0.3	K. TOJO	2004/05/21						
ANGULAR ±3 °		APPROVED BY		DATE		DOCUMENT NO.		SHEET NO.		
DRAFT WHERE APPLICABLE MUST REMAIN WITHIN DIMENSIONS		M. SASAO		2004/05/21		SD-54819-027		1 OF 2		
SIZE A3		THIS DRAWING CONTAINS INFORMATION THAT IS PROPRIETARY TO MOLEX INCORPORATED AND SHOULD NOT BE USED WITHOUT WRITTEN PERMISSION								

10 9 8 7 6 5 4 3 2 1



SECTION



MATING

MODEL NO. 54819-**-79

REVISED EC NO: J2009-1533 DRW:ESATO 2009/06/25 CHK:D:HMATSUMOTO 2009/06/25 APPR:NUKITA 2009/06/25	GENERAL TOLERANCES (UNLESS SPECIFIED)		DIMENSION STYLE MM ONLY		SCALE 10:1	DESIGN UNITS METRIC	THIRD ANGLE PROJECTION	
	10 UNDER	±0.2	DRAWN BY H. KAWABATA	DATE 2004/05/21	TITLE USB SERIES MINI-B RECEPTACLE ASS'Y FOR SMT -LEAD FREE-			
	10 OVER 30 UNDER	±0.25	CHECKED BY K. TOJO	DATE 2004/05/21				
	30 OVER	±0.3	APPROVED BY M. SASAO	DATE 2004/05/21	MOLEX INCORPORATED			
ANGULAR ±3 °		MATERIAL NO. SEE SHEET 1		DOCUMENT NO. SD-54819-027				
DRAFT WHERE APPLICABLE MUST REMAIN WITHIN DIMENSIONS		THIS DRAWING CONTAINS INFORMATION THAT IS PROPRIETARY TO MOLEX INCORPORATED AND SHOULD NOT BE USED WITHOUT WRITTEN PERMISSION						

10 9 8 7 6 5 4 3 2 1

F

E

D

C

B

A

F

E

D

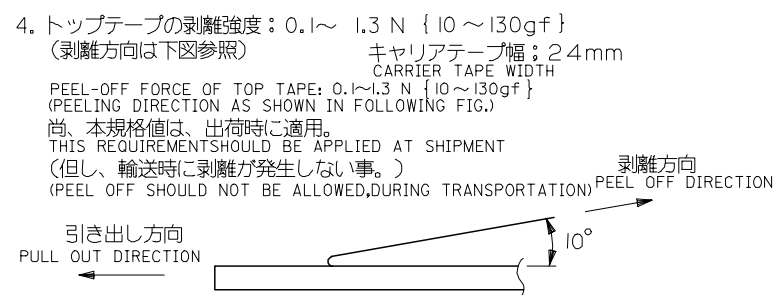
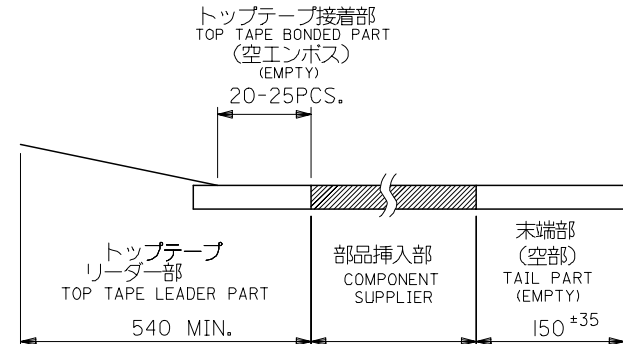
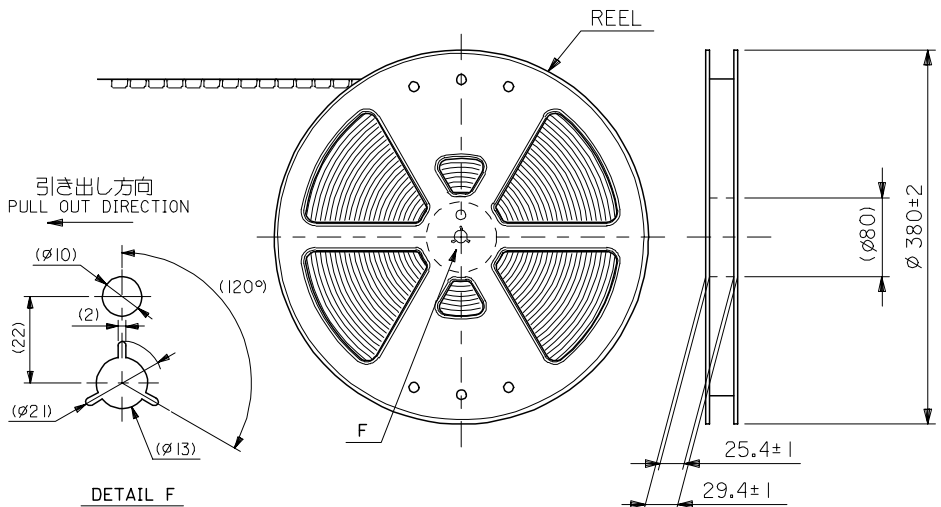
C

B

A

NOTES

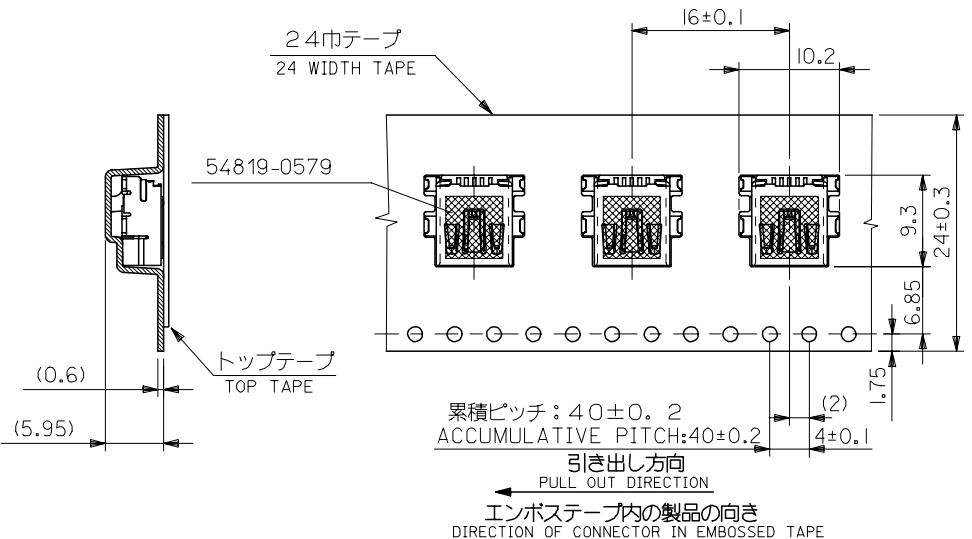
- 54819-0579の詳細はSD-54819-027参照
IN THE PACKAGE PART NO.54819-0579 DETAILED, SEE SD-54819-027
- 梱包数量: 800 個/リール
NUMBER OF CONNECTORS: 800 PCS/REEL
- リードテープ長さ
LEAD TAPE LENGTH



- 材料
MATERIAL
キャリアテープ: ポリプロピレン
CARRIER TAPE: POLYPROPYLENE
トップテープ: ポリエステル, ポリエチレン
TOP TAPE: POLYESTER, POLYETHLENE
リール: ポリスチレン
REEL: POLYSTYRENE

6. 本製品は 54819-0578 の鉛フリー品である。
THIS PRODUCT IS LEAD FREE OF 54819-0578.

54819-0572
MATERIAL NO.



REVISED EC NO: J2006-0378 DRWN: YANAGI MOTO 2005/08/03 CHKD: TANAKA 2005/08/03 APPR: NUKITA 2005/08/17	GENERAL TOLERANCES (UNLESS SPECIFIED)		DIMENSION STYLE MM ONLY		MODEL NO.	54819-**-72	SCALE 2:1		DESIGN UNITS METRIC	THIRD ANGLE PROJECTION	
	10 UNDER	±0.2	DRAWN BY H. KAWABATA		DATE 2004/05/21		TITLE USB SERIES MINI-B REC.HS'G EMBOSSED ASS'Y -LEAD FREE-				
	10 OVER 30 UNDER	±0.25	CHECKED BY K. TOJO		DATE 2004/05/21		MOLEX INCORPORATED				
	30 OVER	±0.3	APPROVED BY M. SASAO		DATE 2004/05/21						
	ANGULAR ±3 °		DRAFT WHERE APPLICABLE MUST REMAIN WITHIN DIMENSIONS		MATERIAL NO. SEE CHART		DOCUMENT NO. SD-54819-028		SHEET NO. 1 OF 1		
SIZE A3 THIS DRAWING CONTAINS INFORMATION THAT IS PROPRIETARY TO MOLEX INCORPORATED AND SHOULD NOT BE USED WITHOUT WRITTEN PERMISSION											