



Chipsmall Limited consists of a professional team with an average of over 10 year of expertise in the distribution of electronic components. Based in Hongkong, we have already established firm and mutual-benefit business relationships with customers from,Europe,America and south Asia,supplying obsolete and hard-to-find components to meet their specific needs.

With the principle of “Quality Parts,Customers Priority,Honest Operation,and Considerate Service”,our business mainly focus on the distribution of electronic components. Line cards we deal with include Microchip,ALPS,ROHM,Xilinx,Pulse,ON,Everlight and Freescale. Main products comprise IC,Modules,Potentiometer,IC Socket,Relay,Connector.Our parts cover such applications as commercial,industrial, and automotives areas.

We are looking forward to setting up business relationship with you and hope to provide you with the best service and solution. Let us make a better world for our industry!



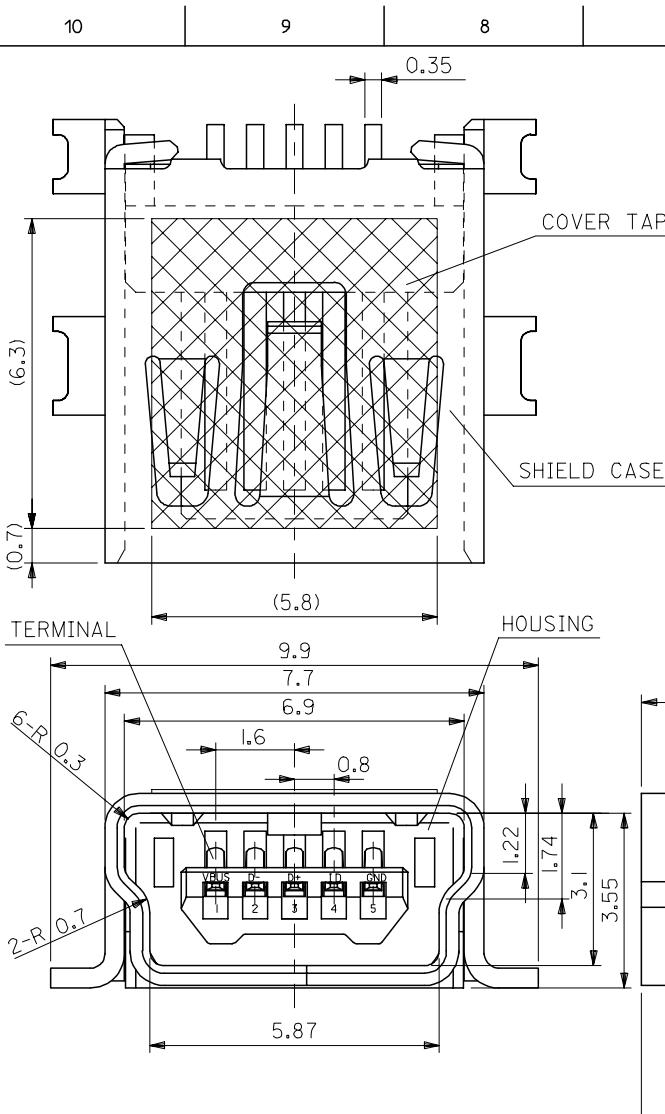
Contact us

Tel: +86-755-8981 8866 Fax: +86-755-8427 6832

Email & Skype: info@chipsmall.com Web: www.chipsmall.com

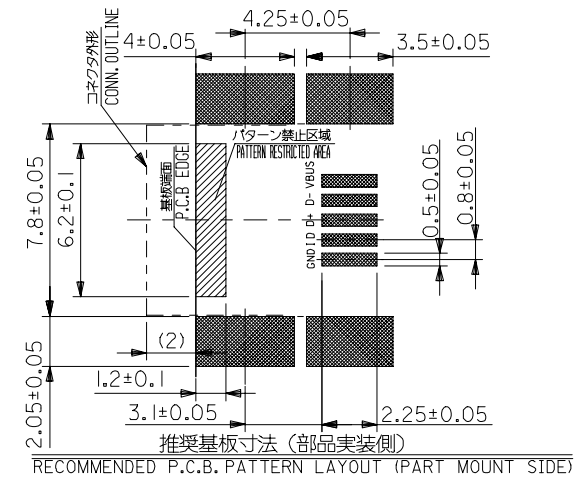
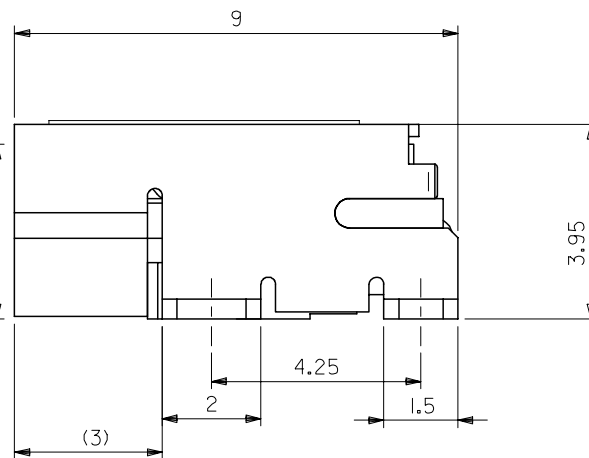
Address: A1208, Overseas Decoration Building, #122 Zhenhua RD., Futian, Shenzhen, China





注記 1. 材質
 NOTES MATERIAL
 ハウジング: LCP(LIQUID CRYSTAL POLYMER) 黒色, UL94V-0
 HOUSING: LCP(LIQUID CRYSTAL POLYMER) BLACK, UL94V-0
 ターミナル: 銅合金 (t=0.2)
 TERMINAL: COPPER ALLOY (t=0.2)
 シールド ケース: 銅合金 (t=0.4)
 SHIELD CASE: COPPER ALLOY (t=0.4)
 カバー テープ: ポリイミド (t=0.08)
 COVER TAPE: POLYIMIDE (t=0.08)

- メッキ仕様
 PLATING
 ターミナル
 TERMINAL
 接点部: 金メッキ 0.75 μm MIN.
 CONTACT AREA: GOLD 0.75 MICRO METER MIN.
 半田付け部: 錫メッキ 1 μm MIN.
 SOLDER TAIL AREA: TIN 1 MICRO METER MIN.
 下地部: ニッケルメッキ 4 μm MIN.
 UNDER PLATING: NICKEL 4 MICRO METER MIN.
 シールド ケース
 SHIELD CASE
 : 錫メッキ 1 μm MIN.
 : TIN 1 MICRO METER MIN.
 下地部: ニッケルメッキ 4 μm MIN.
 UNDER PLATING: NICKEL 4 MICRO METER MIN.
- テール、ネール平坦度は 0.1 mm MAX.
 TAIL, NAIL COPLANARITY 0.1mm MAX.
- 本製品は 54819-0571, 1571 の鉛フリー品である。
 THIS PRODUCT IS LEAD FREE OF 54819-0571, 1571.



54819-1579	MATERIAL NO.
54819-0579	MODEL NO.

REVISED EC NO: J2006-1106 DRW: YANAGI MOTO 2005/10/05 CHK: TANAKA 2005/10/06 APPR: NUKITA 2005/10/13 REV DESCRIPTION	GENERAL TOLERANCES (UNLESS SPECIFIED)		DIMENSION STYLE MM ONLY		SCALE ---	DESIGN UNIT'S METRIC	THIRD ANGLE PROJECTION
	10 UNDER	± 0.2	DRAWN BY M. NINOMIYA	DATE 2004/02/16	TITLE USB SERIES MINI-B RECEPTACLE ASS'Y FOR SMT -LEAD FREE-		
	10 OVER 30 UNDER	± 0.25	CHECKED BY K. TOJO	DATE 2004/02/16	MOLEX MOLEX INCORPORATED		
	30 OVER	± 0.3	APPROVED BY M. SASAO	DATE 2004/02/16	DOCUMENT NO. SD-54819-024		
	ANGULAR	± 3 °	MATERIAL NO.	SEE CHART	SHEET NO. 1 OF 2		
DRAFT WHERE APPLICABLE MUST REMAIN WITHIN DIMENSIONS		SIZE A3	THIS DRAWING CONTAINS INFORMATION THAT IS PROPRIETARY TO MOLEX INCORPORATED AND SHOULD NOT BE USED WITHOUT WRITTEN PERMISSION				

10 9 8 7 6 5 4 3 2 1

F

F

E

E

D

D

C

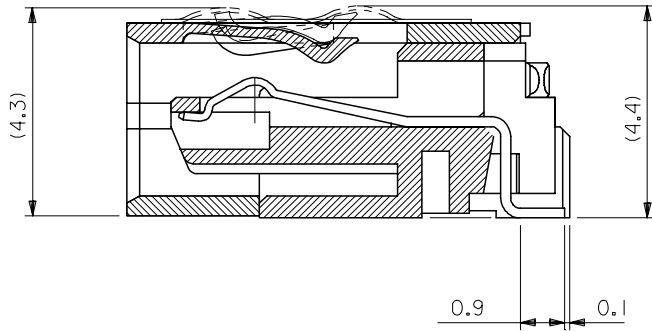
C

B

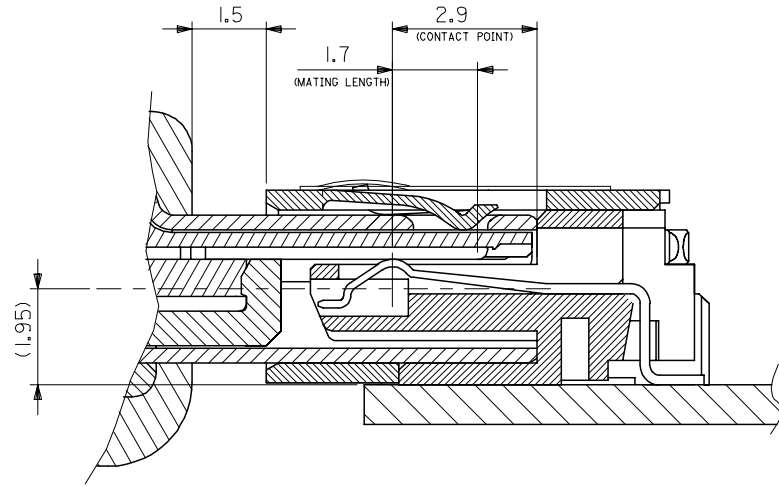
B

A

A



SECTION

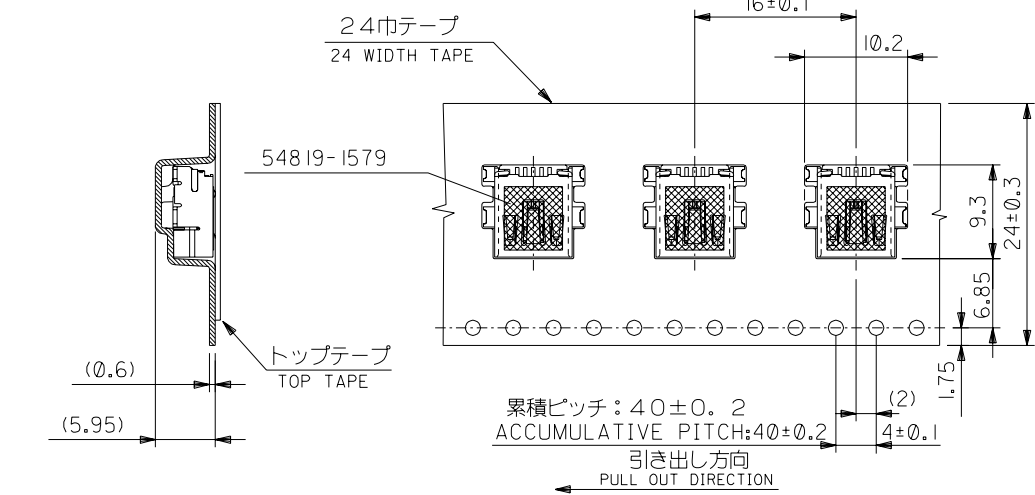
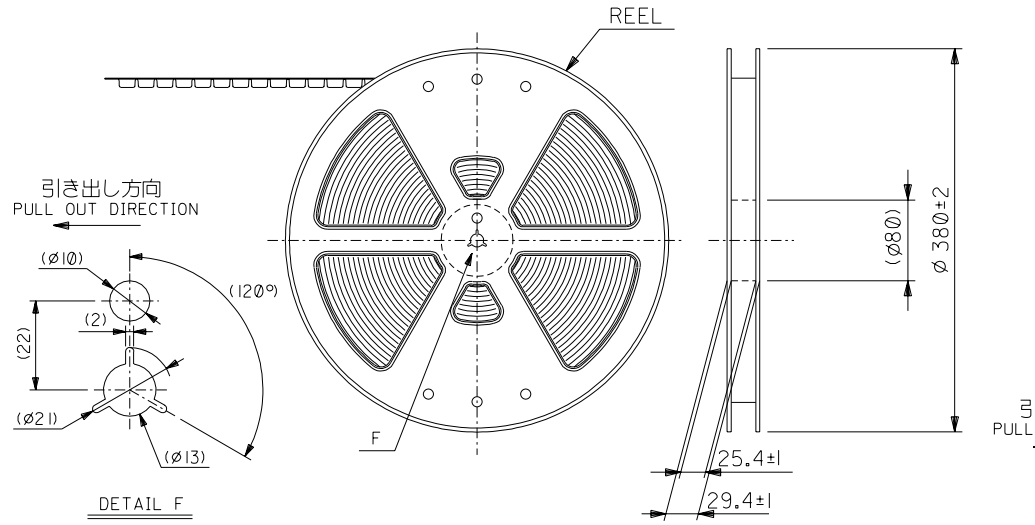


MATING

54819-1579	MATERIAL NO.
54819-***79	MODEL NO.

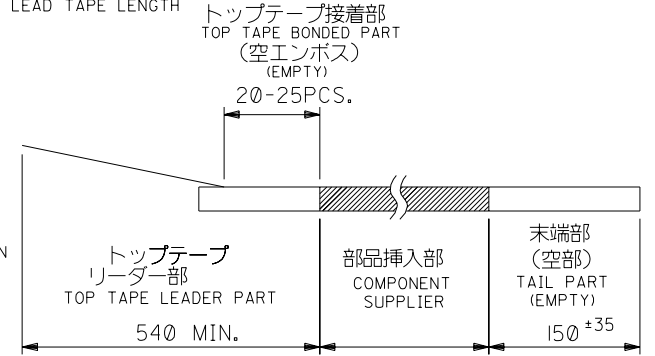
REVISED EC NO: J2006-1106 DRWN: YANAGI MOTO 2005/10/05 CHKD: TANAKA 2005/10/06 APPR: NUKITA 2005/10/13	GENERAL TOLERANCES (UNLESS SPECIFIED)		DIMENSION STYLE MM ONLY		SCALE ---	DESIGN UNITS METRIC	THIRD ANGLE PROJECTION	
	10 UNDER	±0.2	DRAWN BY	DATE	TITLE USB SERIES MINI-B RECEPTACLE ASS'Y FOR SMT -LEAD FREE-			
	10 OVER 30 UNDER	±0.25	M. NINOMIYA	2004/02/16				
	30 OVER	±0.3	K. TOJO	2004/02/16				
ANGULAR	±3 °	APPROVED BY	DATE	MOLEX INCORPORATED				
DRAFT WHERE APPLICABLE MUST REMAIN WITHIN DIMENSIONS		MATERIAL NO. SEE CHART		DOCUMENT NO. SD-54819-024		SHEET NO. 2 OF 2		
SIZE A3		THIS DRAWING CONTAINS INFORMATION THAT IS PROPRIETARY TO MOLEX INCORPORATED AND SHOULD NOT BE USED WITHOUT WRITTEN PERMISSION						

DWG. NO. SD-54819-025

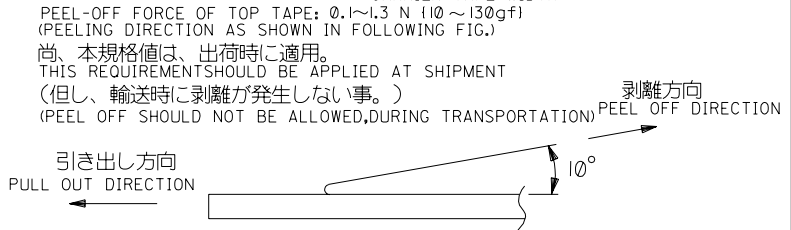


NOTES

- 54819-1579の詳細はSD-54819-024参照
IN THE PACKAGE PART NO.54819-1579 DETAILED, SEE SD-54819-024
- 梱包数量: 800個/リール
NUMBER OF CONNECTORS: 800 PCS/REEL
- リードテープ長さ
LEAD TAPE LENGTH



- トップテープの剥離強度: 0.1 ~ 1.3 N (10 ~ 130gf)
(剥離方向は下図参照) キャリアテープ幅: 24mm
PEEL-OFF FORCE OF TOP TAPE: 0.1 ~ 1.3 N (10 ~ 130gf)
(PEELING DIRECTION AS SHOWN IN FOLLOWING FIG.)
尚、本規格値は、出荷時に適用。
THIS REQUIREMENT SHOULD BE APPLIED AT SHIPMENT
(但し、輸送時に剥離が発生しない事。)
(PEEL OFF SHOULD NOT BE ALLOWED, DURING TRANSPORTATION)



- 材料
MATERIAL
キャリアテープ: ポリプロピレン
CARRIER TAPE: POLYPROPYLENE
トップテープ: ポリエステル, ポリエチレン
TOP TAPE: POLYESTER, POLYETHYLENE
リール: ポリスチレン
REEL: POLYSTYRENE

- 本製品は 54819-0578, 1578 の鉛フリー品である。
THIS PRODUCT IS LEAD FREE OF 54819-0578, 1578.

エンボステープ内の製品の向き
DIRECTION OF CONNECTOR IN EMBOSSED TAPE

DO NOT SCALE DRAWING

164 NO. DRWN: CH'K: APPR: 163 NO. DRWN: CH'K: APPR: 162 NO. DRWN: CH'K: APPR: REVISED 161 NO. J2004-2727 DRWN: M. NINOMIYA '04/02/27 CH'K: K. TOJO '04/02/27 APPR: M. SASAO '04/02/27 RELEASED 160 NO. J2004-2408 DRWN: M. NINOMIYA '04/02/13 CH'K: K. TOJO '04/02/13 APPR: M. SASAO '04/02/13	MATERIAL 材料 FINISH 仕上げ WIRE RANGE 適用線径範囲 INS. RANGE 被覆外径	SEE NOTES # #	GENERAL TOLERANCES: (UNLESS SPECIFIED) 一般公差 10 UNDER 未満 ±0.2 10 OVER 30 UNDER 未満 ±0.25 30 OVER 以上 ±0.3 ANGLE 角度 ±3°	54819-72 SCALE 1:1 DESIGN UNITS mm INCH DRAWN BY & DATE M. NINOMIYA '04/02/13 CHECKED BY & DATE K. TOJO '04/02/13 APPROVED BY & DATE H. Sasaki '04/02/13 CAD FILENAME SD-54819-025.S01	MODEL NO. TITLE: USB SERIES MINI-B REC. HS'G EMBOSSED ASS'Y -LEAD FREE- MOLEX MOLEX INCORPORATED	54819-1572 DIMENSIONS: mm INCH mm ONLY SHT REV 1 OF 1	MATERIAL NO. SHEET NO.
				54819-025.S01 SEE CHART	DRAWING NO. SD-54819-025 DRAWING NO. SD-54819-025	SIZE B	