



Chipsmall Limited consists of a professional team with an average of over 10 year of expertise in the distribution of electronic components. Based in Hongkong, we have already established firm and mutual-benefit business relationships with customers from,Europe,America and south Asia,supplying obsolete and hard-to-find components to meet their specific needs.

With the principle of “Quality Parts,Customers Priority,Honest Operation,and Considerate Service”,our business mainly focus on the distribution of electronic components. Line cards we deal with include Microchip,ALPS,ROHM,Xilinx,Pulse,ON,Everlight and Freescale. Main products comprise IC,Modules,Potentiometer,IC Socket,Relay,Connector.Our parts cover such applications as commercial,industrial, and automotives areas.

We are looking forward to setting up business relationship with you and hope to provide you with the best service and solution. Let us make a better world for our industry!



Contact us

Tel: +86-755-8981 8866 Fax: +86-755-8427 6832

Email & Skype: info@chipsmall.com Web: www.chipsmall.com

Address: A1208, Overseas Decoration Building, #122 Zhenhua RD., Futian, Shenzhen, China



DWG. NO. SD-55021-0001

E

D

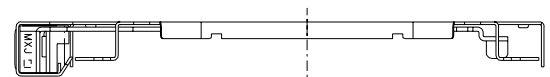
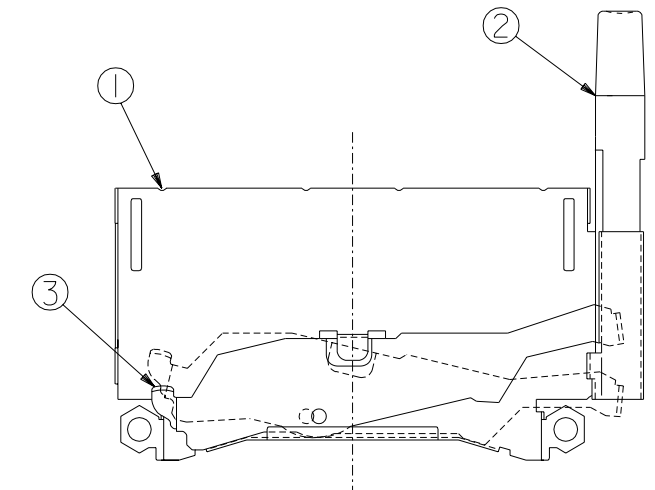
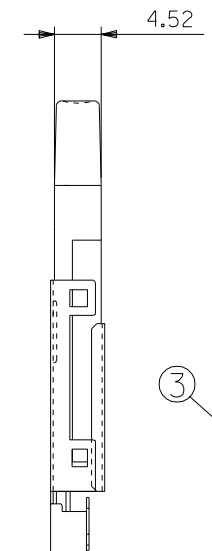
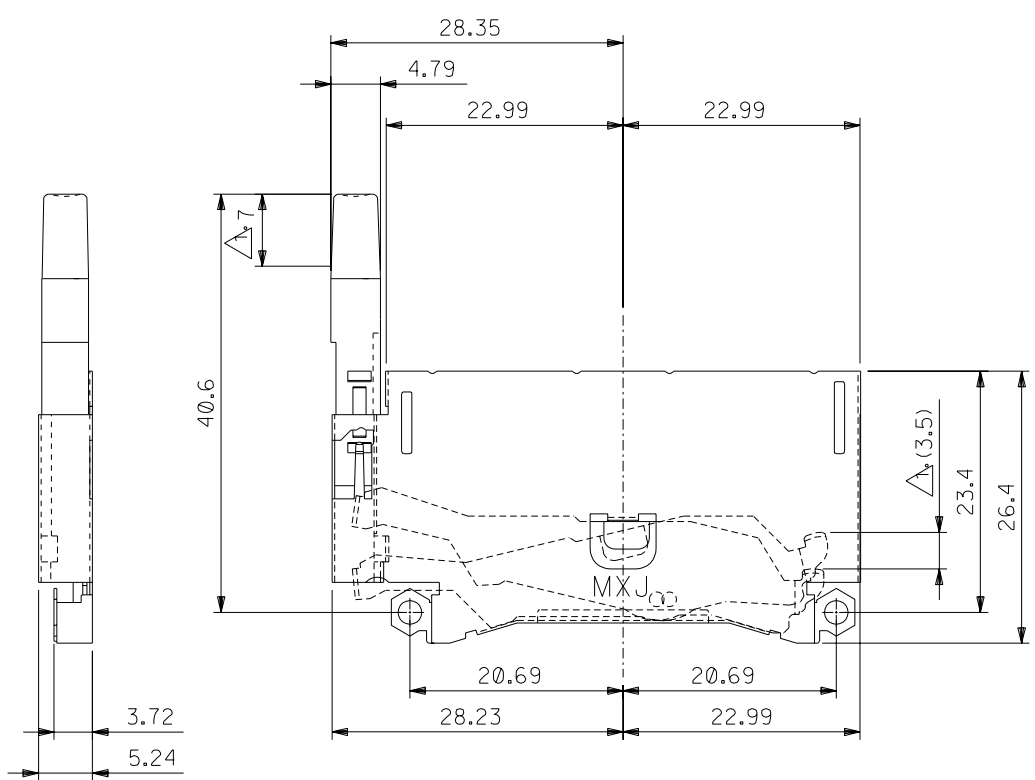
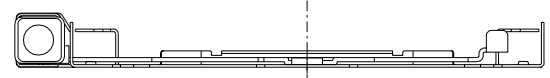
C

B

A

DIMENSIONS IN METRIC DO NOT SCALE DRAWING

No.	品名 NAME	材料 MATERIAL	仕上げ FINISH	倍数 PIECE
1	METAL SHELL	ステンレス鋼 t0.254 STAINLESS STEEL t0.254	—	1
2	BUTTON	ガラス入りポリアセチル UL94V-0 色:黒色 PBT G.F. UL94V-0 COLOR:BLACK	—	1
3	LEVER	ステンレス鋼 t0.4 STAINLESS STEEL t0.4	—	1



注) △ ボタンストロークが 7mm の時、カード飛び出し量は (3.5mm)。
 NOTES WHEN BUTTON PUSH STROKE IS 7mm, CARD OUT BY (3.5mm).
 2. 適合HEADER ASS'Y : 53856-5010,53927-5010
 APPLICABLE HEADER ASS'Y : 53856-5010,53927-5010

角度 ANGLE		±3°				材料 MATERIAL	SEE CHART	MOLEX-JAPAN CO.,LTD. 日本モレックス株式会社	
30 以上 OVER		+0.3	B 変更 REVISD (JD80483)	Y.H.	M.S.	仕上げ FINISH	—		REVISE ONLY ON CAD SYSTEM
10 以上 OVER 30 未満 UNDER		+0.25	A 変更 REVISD (JD71545)	Y.H.	M.S.	適用電線範囲 WIRE RANGE	—	TITLE 名称 CF CARD CONN. SHELL ASS'Y (FOR RIGHT SIDE BUTTON)	
10 未満 UNDER		+0.2	① 新規作成 RELEASED (JD70908)	Y.H.	M.S.	被覆外径 INS. RANGE	—	DWG. NO.	
一般公差 GENERAL TOLERANCES			記号 LTR	変更内容 REVISION RECORD	DR. CHK.	日付 DATE	APP'D BY <i>T. Hanayama</i>	尺度 SCALE 2 - 1	REV B

THIS DRAWING CONTAINS INFORMATION THAT IS PROPRIETARY TO MOLEX(JAPAN) AND SHOULD NOT BE USED WITHOUT WRITTEN PERMISSION
 本図面は日本モレックス(株)の所有する情報を含むもので 当社の許可なく複製を禁止する。 EN-01C(032)MXJ-32

ZF31110.0331S5502.LDGN