



Chipsmall Limited consists of a professional team with an average of over 10 year of expertise in the distribution of electronic components. Based in Hongkong, we have already established firm and mutual-benefit business relationships with customers from,Europe,America and south Asia,supplying obsolete and hard-to-find components to meet their specific needs.

With the principle of “Quality Parts,Customers Priority,Honest Operation,and Considerate Service”,our business mainly focus on the distribution of electronic components. Line cards we deal with include Microchip,ALPS,ROHM,Xilinx,Pulse,ON,Everlight and Freescale. Main products comprise IC,Modules,Potentiometer,IC Socket,Relay,Connector.Our parts cover such applications as commercial,industrial, and automotives areas.

We are looking forward to setting up business relationship with you and hope to provide you with the best service and solution. Let us make a better world for our industry!



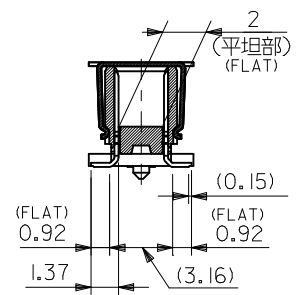
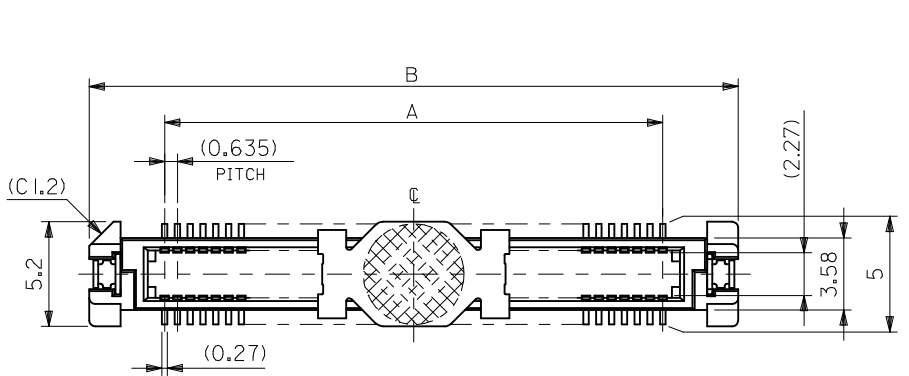
## Contact us

Tel: +86-755-8981 8866 Fax: +86-755-8427 6832

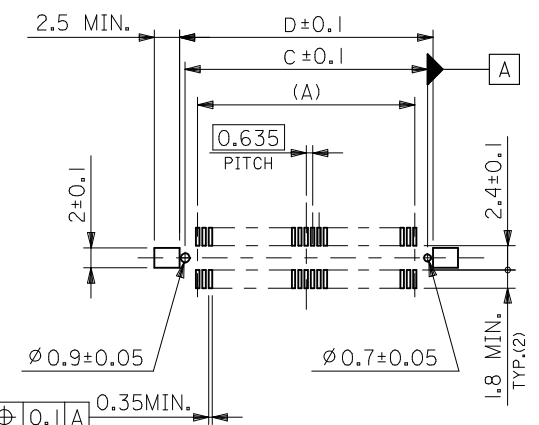
Email & Skype: info@chipsmall.com Web: www.chipsmall.com

Address: A1208, Overseas Decoration Building, #122 Zhenhua RD., Futian, Shenzhen, China

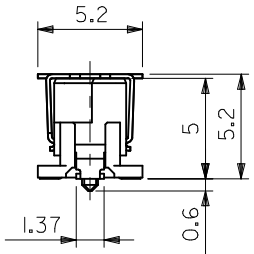
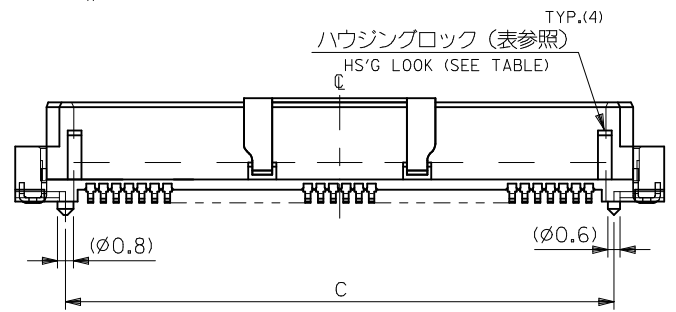




半田付け部詳細図  
DETAIL FOR SOLDERING AREA



推奨基板寸法  
RECOMMENDED PCB PATTERN LAYOUT



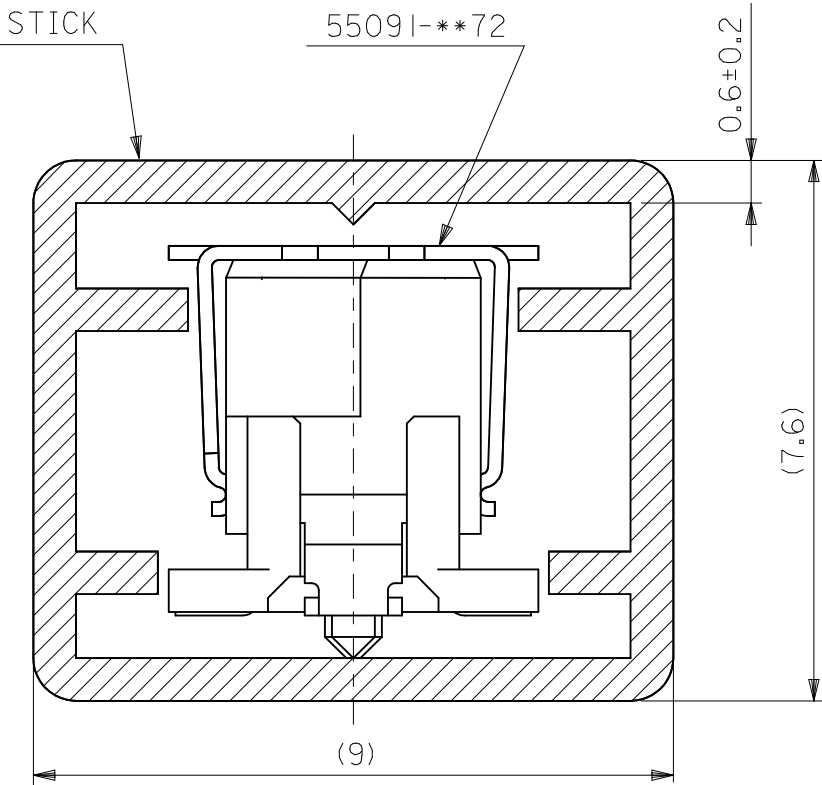
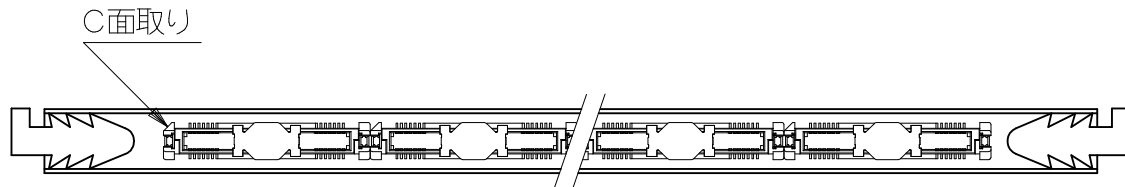
注) NOTES

- 材質 MATERIAL  
ハウジング : ガラス入りLCP、黒色、UL94V-0  
HOUSING: LIQUID CRYSTAL POLYMER (LCP), GLASS FILLED, BLACK, UL94V-0  
ターミナル : 銅合金 (t=0.2)  
TERMINAL: COPPER ALLOY  
吸着カバー : ステンレス (t=0.2)  
VACUUM COVER: STAINLESS STEEL  
補強金具 : 銅合金 (t=0.25)  
FITTING NAIL: COPPER ALLOY
- メッキ仕様 PLATING  
ターミナル : 接点部 : 金メッキ 0.25 マイクロメートル以上。  
TERMINAL CONTACT AREA : GOLD 0.25 MICROMETER MINIMUM.  
半田付け部 : 錫メッキ 1.0 マイクロメートル以上。  
SOLDER TAIL AREA : TIN 1.0 MICROMETER MINIMUM.  
下地メッキ : ニッケルメッキ 1.5 マイクロメートル以上。  
UNDER-PLATING : NICKEL 1.5 MICROMETER MINIMUM.  
補強金具 : 錫メッキ 1.0 マイクロメートル以上。  
FITTING NAIL TIN 1.0 MICROMETER MINIMUM.  
下地メッキ : ニッケルメッキ 1.0 マイクロメートル以上。  
UNDER-PLATING: NICKEL 1.0 MICROMETER MINIMUM.
- テールのバラツキ寸法 TAIL COPLANARITY  
テール及び金具の平坦度は、0.1以下とする。  
TAIL AND FITTING NAIL COPLANARITY TO BE 0.1 MAXIMUM.
- エンボス対応済みの種数については、SD-55091-007を参照下さい。  
FOR THE EMBOSSED PACKAGE PRODUCTS, SEE SD-55091-007.
- 本製品は55091-\*\*\*2の鉛フリー品である。  
THIS PRODUCT IS LEAD FREE OF 55091-\*\*\*2.

無し NO	79.17	78.07	83.07	75.565	—	—	55091-2472	240	○
	66.47	65.37	70.37	62.865	—	55091-2075	-2072	200	○
	60.12	59.02	64.02	56.515	—	—	-1872	180	○
	53.77	52.67	57.67	50.165	55091-1674	—	-1672	160	○
	47.42	46.32	51.32	43.815	55091-1474	—	-1472	140	○
	41.07	39.97	44.97	37.465	55091-1274	—	-1272	120	○
	34.72	33.62	38.62	31.115	55091-1074	—	-1072	100	○
	31.55	30.45	35.45	27.94	55091-0974	—	-0972	90	○
	28.37	27.27	32.27	24.765	55091-0874	—	-0872	80	○
	25.2	24.1	29.1	21.59	55091-0774	—	-0772	70	○
有り YES	24.56	23.46	28.46	20.955	—	—	-6872	68	○
	22.02	20.92	25.92	18.415	55091-0674	—	-0672	60	○
	18.85	17.75	22.75	15.24	55091-0574	—	-0572	50	○
	15.67	14.57	19.57	12.065	55091-0474	—	-0472	40	○
	12.5	11.4	16.4	8.89	55091-0374	—	-0372	30	○
9.32	8.22	13.22	5.715	55091-0274	—	—	55091-0272	20	○
ハウジングブロック HS'G LOCK	D	C	B	A	エンボス梱包 EMBOSSED PACKAGING	スティック梱包 STICK PACKAGING	製品番号 MATERIAL NO.	種数 CKT. NO.	標準対応 AVAILABLE

REVISED EC NO.: J2017-0317 DRWN: GES CHKD: APPR: MSASAO	DESCRIPTION 2017/02/22 2017/03/15	GENERAL TOLERANCES (UNLESS SPECIFIED)		DIMENSION STYLE		SCALE	DESIGN UNITS		THIRD ANGLE PROJECTION	
		MM ONLY		MM ONLY		---	METRIC		◎ □	
0.25 UNDER ±0.03		0.25 OVER 0.5 UNDER ±0.05		DRAWN BY H. KAWABATA		DATE '04/03/05		TITLE		
0.5 OVER 0 UNDER ±0.1		0 OVER 10 UNDER ±0.2		CHECKED BY K. TOJO		DATE '04/03/05		0.635 PITCH B-T0-B PLUG HS'G COVER ASS'Y -LEAD FREE-		
10 OVER 30 UNDER ±0.25		30 OVER ±0.3		APPROVED BY M. SASAO		DATE '04/03/05		<b>molex</b>		
ANGULAR ±3 °		DRAFT WHERE APPLICABLE MUST REMAIN WITHIN DIMENSIONS		MATERIAL NO.		DOCUMENT NO.				
				SEE TABLE		SD-55091-006		1 OF 1		
THIS DRAWING CONTAINS INFORMATION THAT IS PROPRIETARY TO MOLEX ELECTRONIC TECHNOLOGIES, LLC AND SHOULD NOT BE USED WITHOUT WRITTEN PERMISSION										

7 6 5 4 3 2 1



△ スティック内での製品の向き。

注) NOTES.

1. スティック両端はキャップ止め。  
BOTH ENDS WITH CAPS.
2. 全長 : 600±2  
TOTAL LENGTH : 600±2
3. 量産対応済の極数については SD-55091-006  
を参照ください。  
FOR AVAIRABLE ITEMS,SEE SD-55091-006.
4. 本製品は 55091-\*\*\*5 の鉛フリー品である。  
THIS PRODUCT IS LEAD FREE OF 55091-\*\*\*5.

8	55091-2075	200
梱包数 QUANTITY	製品番号 MATERIAL NUMBER	極数 NO. OF CKT.
MODEL NO. 55091-**75	SCALE 4:1	
GENERAL TOLERANCES (UNLESS SPECIFIED)		DESIGN UNITS METRIC
DIMENSION STYLE MM ONLY		THIRD ANGLE PROJECTION
DRAWN BY H. KAWABATA DATE 04/04/02		TITLE 50991-**72 STICK PACKAGING -LEAD FREE- <b>molex</b>
CHECKED BY K. TOJO DATE 04/04/02		
APPROVED BY M. SASAO DATE 04/04/02		
MATERIAL NO.		
SEE TABLE		DOCUMENT NO. SD-55091-008
DRAFT WHERE APPLICABLE MUST REMAIN WITHIN DIMENSIONS		SHEET NO. 1 OF 1
SIZE A4		THIS DRAWING CONTAINS INFORMATION THAT IS PROPRIETARY TO MOLEX ELECTRONIC TECHNOLOGIES, LLC AND SHOULD NOT BE USED WITHOUT WRITTEN PERMISSION

REVISED	EC NO: J2017-0317	2017/02/22
DRWN:GES	CHKD:	APPR:MSASAO
2017/03/15		
DESCRIPTION		
REV		

0.25 UNDER	+
0.25 OVER 0.5 UNDER	±
0.5 OVER 0 UNDER	±
0 OVER 10 UNDER	±0.2
10 OVER 30 UNDER	±0.25
30 OVER	±0.3
ANGULAR ±3 °	