



Chipsmall Limited consists of a professional team with an average of over 10 year of expertise in the distribution of electronic components. Based in Hongkong, we have already established firm and mutual-benefit business relationships with customers from,Europe,America and south Asia,supplying obsolete and hard-to-find components to meet their specific needs.

With the principle of “Quality Parts,Customers Priority,Honest Operation,and Considerate Service”,our business mainly focus on the distribution of electronic components. Line cards we deal with include Microchip,ALPS,ROHM,Xilinx,Pulse,ON,Everlight and Freescale. Main products comprise IC,Modules,Potentiometer,IC Socket,Relay,Connector.Our parts cover such applications as commercial,industrial, and automotives areas.

We are looking forward to setting up business relationship with you and hope to provide you with the best service and solution. Let us make a better world for our industry!



Contact us

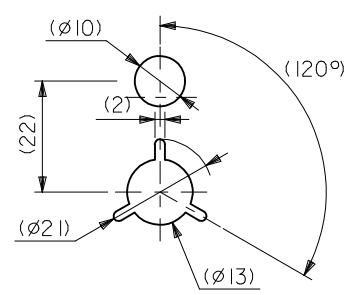
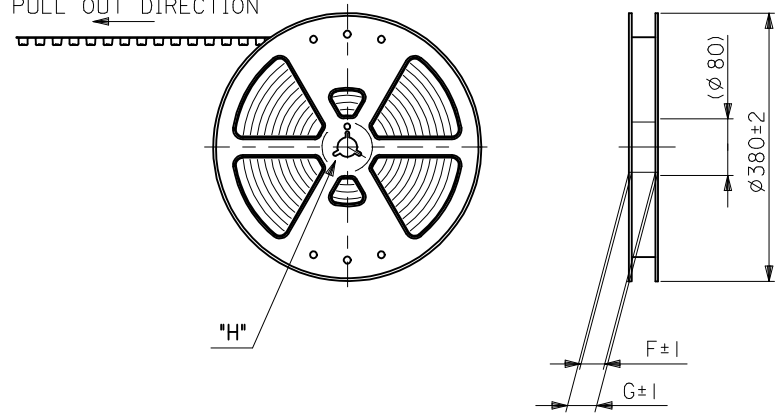
Tel: +86-755-8981 8866 Fax: +86-755-8427 6832

Email & Skype: info@chipsmall.com Web: www.chipsmall.com

Address: A1208, Overseas Decoration Building, #122 Zhenhua RD., Futian, Shenzhen, China



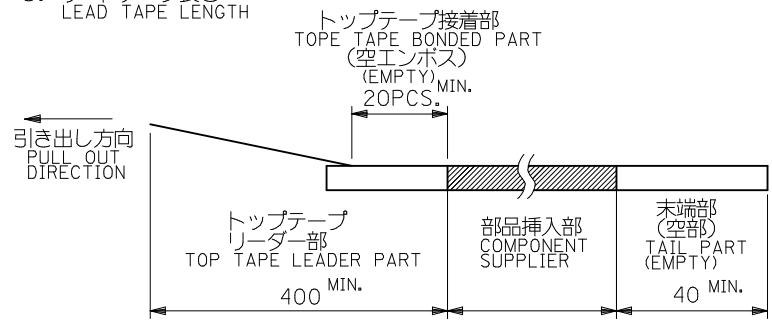
引き出し方向
PULL OUT DIRECTION



DETAIL "H"

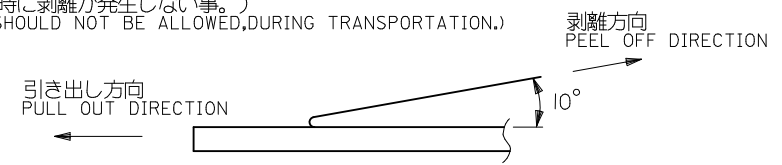
注)
NOTES

1. 製品番号 55299-***71 詳細寸法については、製品単体図面を参照下さい。
IN THE PACKAGE PART NUMBER 55299-***71 DETAILED DIMENSIONS, SEE SALES DRAWING FOR CONNECTOR.
2. 梱包数量: 2000個/リール
NUMBER OF CONNECTORS: 2000 PCS/REEL.
3. リードテープ長さ
LEAD TAPE LENGTH



4. トップテープの剥離強度: (剥離方向は下図参照)
PEELING OFF FORCE OF TOP TAPE (PELLING DIRECTION AS SHOWN IN FOLLOWING FIGURE.)
0. 1~1. 3N{ 10~130gf }

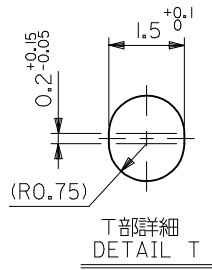
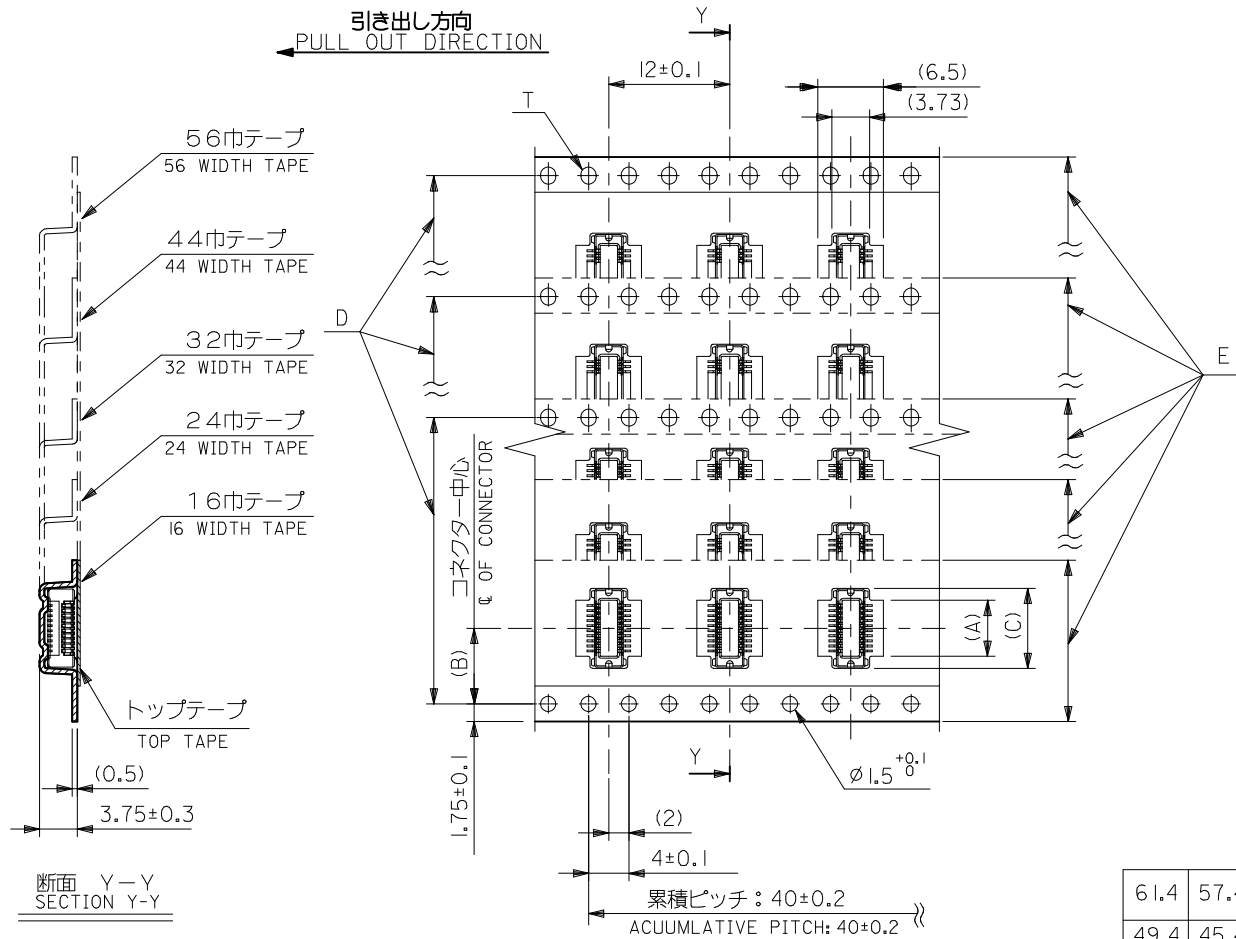
尚、本規格値は、出荷時に適用。
THIS REQUIREMENT SHOULD BE APPLIED AT SHIPMENT.
(但し、輸送時に剥離が発生しない事。)
(PEEL OFF SHOULD NOT BE ALLOWED, DURING TRANSPORTATION.)



5. 材料
MATERIAL
キャリアテープ: ポリプロピレン (PP)
CARRIER TAPE: POLYPROPYLENE (PP)
トップテープ: PET, PE, PEF
TOP TAPE: PET, PE, PEF
リール: ポリスチレン (PS) <リサイクル材を含む>
REEL: POLYSTYRENE (PS) <RECYCLE MATERIAL CONTAINED>

6. 本製品は55299-***8の鉛フリー品である。
THIS PRODUCT IS LEAD FREE OF 55299-***8

REVISED EC NO: J2009-0140 DRWN: YOSHIDAM 2008/07/31 CHKD: THARUYAMA 2008/07/31 APPR: NUKITA 2008/11/21	GENERAL TOLERANCES (UNLESS SPECIFIED)		DIMENSION STYLE MM ONLY		SCALE ---	DESIGN UNITS METRIC	THIRD ANGLE PROJECTION	
	10 UNDER	±0.2	DRAWN BY M. NAGATA	DATE '04/03/09	TITLE 55299-***71 TAPING PACKAGE -LEAD FREE-			
	10 OVER 30 UNDER	±0.25	CHECKED BY K. TOJO	DATE '04/03/09	MOLEX INCORPORATED DOCUMENT NO. SD-55299-011 SHEET NO. 1 OF 2			
	30 OVER	±0.3	APPROVED BY H. IKESUGI	DATE '04/03/09				
ANGULAR	±3 °	MATERIAL NO. SEE TABLE						
DRAFT WHERE APPLICABLE MUST REMAIN WITHIN DIMENSIONS		THIS DRAWING CONTAINS INFORMATION THAT IS PROPRIETARY TO MOLEX INCORPORATED AND SHOULD NOT BE USED WITHOUT WRITTEN PERMISSION						



断面 Y-Y
SECTION Y-Y

累積ピッチ: 40±0.2
ACCUMLATIVE PITCH: 40±0.2

61.4	57.4	56±0.3	52.4	37.95	26.2	35.55	55299-1478	140	
				32.95		30.55	55299-1278	120	
49.4	45.4	44±0.3	40.4	27.95	20.2	25.55	55299-1078	100	
				12.95	11.5	10.55	55299-0478	40	
29.4	25.4	24±0.3	#	10.45		8.05	55299-0378	30	
				7.95	7.5	5.55	55299-0278	20	
21.4	17.4	16±0.3	#						
G	F	E キャリアテープ幅 CARRIER TAPE WIDTH		D	(C)	(B)	(A)	製品番号 MATERIAL NO.	極数 CIRCUITS

REVISED		MODEL NO. 55299-***78		DIMENSION STYLE		SCALE		DESIGN UNITS		THIRD ANGLE PROJECTION	
EC NO: J2009-0140		DRWN: YOSHIDAM 2008/07/31		GENERAL TOLERANCES (UNLESS SPECIFIED)		MM ONLY		10:1		METRIC	
CHKD: THARUYAMA 2008/07/31		APPR: NUKITA 2008/11/21		10 UNDER ±0.2		DRAWN BY M. NABEI		DATE '05/03/10		TITLE	
REV		DESCRIPTION		10 OVER 30 UNDER ±0.25		CHECKED BY K. TOYODO		DATE '05/03/10		55299-***71 TAPING PACKAGE -LEAD FREE-	
				30 OVER ±0.3		APPROVED BY N. UKITA		DATE '05/03/10		MOLEX INCORPORATED	
				ANGULAR ±3 °		MATERIAL NO.		DOCUMENT NO.		SHEET NO.	
				DRAFT WHERE APPLICABLE MUST REMAIN WITHIN DIMENSIONS		SEE TABLE		SD-55299-011		2 OF 2	
						SIZE A3		THIS DRAWING CONTAINS INFORMATION THAT IS PROPRIETARY TO MOLEX INCORPORATED AND SHOULD NOT BE USED WITHOUT WRITTEN PERMISSION			