



Chipsmall Limited consists of a professional team with an average of over 10 year of expertise in the distribution of electronic components. Based in Hongkong, we have already established firm and mutual-benefit business relationships with customers from,Europe,America and south Asia,supplying obsolete and hard-to-find components to meet their specific needs.

With the principle of “Quality Parts,Customers Priority,Honest Operation,and Considerate Service”,our business mainly focus on the distribution of electronic components. Line cards we deal with include Microchip,ALPS,ROHM,Xilinx,Pulse,ON,Everlight and Freescale. Main products comprise IC,Modules,Potentiometer,IC Socket,Relay,Connector.Our parts cover such applications as commercial,industrial, and automotives areas.

We are looking forward to setting up business relationship with you and hope to provide you with the best service and solution. Let us make a better world for our industry!



Contact us

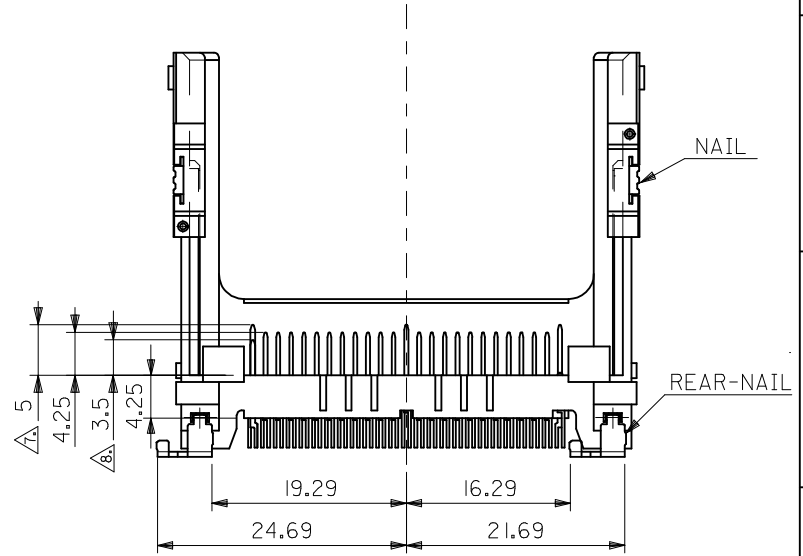
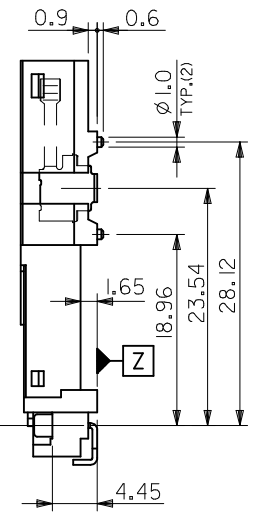
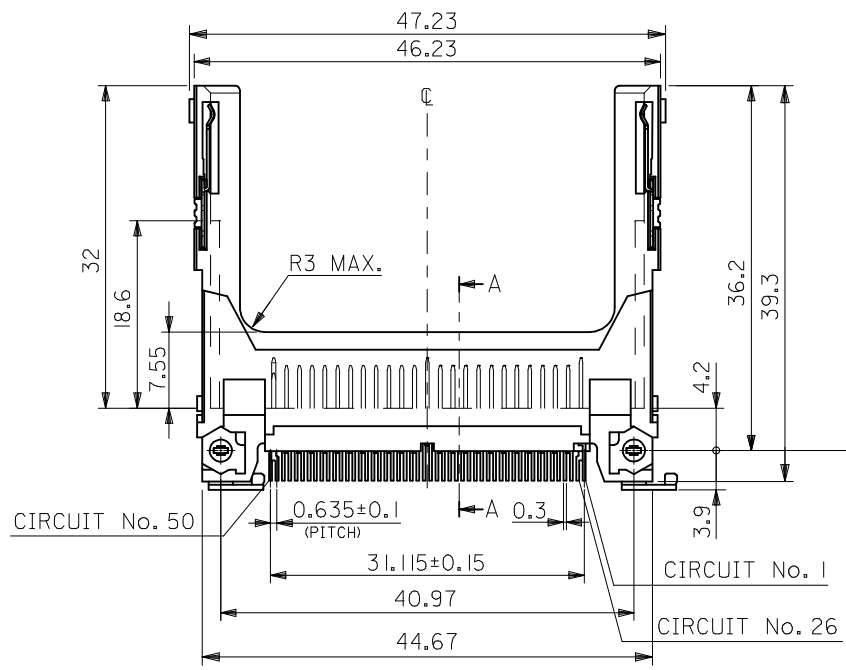
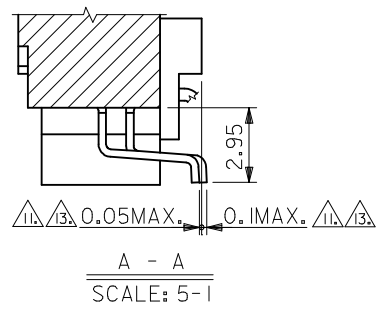
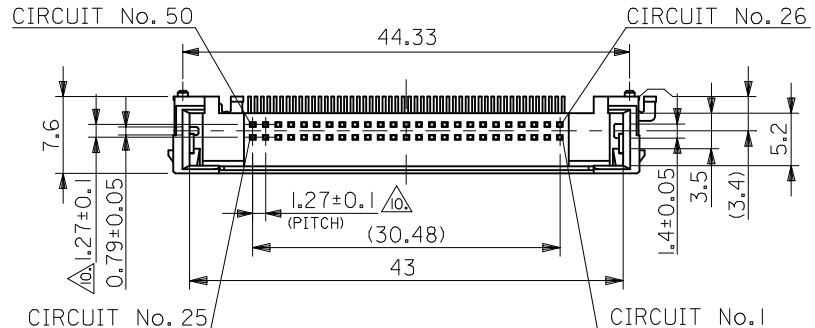
Tel: +86-755-8981 8866 Fax: +86-755-8427 6832

Email & Skype: info@chipsmall.com Web: www.chipsmall.com

Address: A1208, Overseas Decoration Building, #122 Zhenhua RD., Futian, Shenzhen, China



10 9 8 7 6 5 4 3 2 1



55358-5021	55358-50**
MATERIAL No.	MODEL No.

REVISED EC NO: J2009-0469 DRWN: YOSHIDAM 2008/12/01 CHKD: THARUYAMA 2008/12/01 APPR: NUKITA 2008/12/08	GENERAL TOLERANCES (UNLESS SPECIFIED)		DIMENSION STYLE	SCALE	DESIGN UNITS	THIRD ANGLE PROJECTION	
	10 UNDER	± 0.2	MM ONLY	2:1	METRIC	⊙	
	10 OVER 30 UNDER	± 0.25	DRAWN BY	DATE	TITLE	CF CARD CONN. 50P HEADER ASSY (TYPE I/II,NORMAL)	
	30 OVER	± 0.3	T. HIRAYAMA	'98/09/01		MOLEX INCORPORATED	
	ANGULAR ± 3 °	CHECKED BY	DATE		DOCUMENT NO.	SHEET NO.	
	DRAFT WHERE APPLICABLE MUST REMAIN WITHIN DIMENSIONS	M. SASAO	'98/09/01		SD-55358-003	1 OF 2	
		APPROVED BY	DATE	THIS DRAWING CONTAINS INFORMATION THAT IS PROPRIETARY TO MOLEX INCORPORATED AND SHOULD NOT BE USED WITHOUT WRITTEN PERMISSION			
		H. IKESUGI	'98/09/01				
		MATERIAL NO.					
		SIZE	A3				

注) 1. 材質
NOTES MATERIAL

ハウジング : ガラス入りLCP UL94V-0
HOUSING: LIQUID CRYSTAL POLYMER G.F. UL94V-0
ピン : リン青銅
PIN: PHOSPHOR BRONZE
ネール : リン青銅 (t0.3)
NAIL: PHOSPHOR BRONZE (t0.3)
リヤネール : リン青銅 (t0.48)
REAR-NAIL: PHOSPHOR BRONZE (t0.48)

2. メッキ仕様
PLATING

ピン 接点部 : パラジウムニッケル下地、金メッキ
CONTACT AREA: GOLD OVER PALLADIUM-NICKEL
半田付け部 : 半田メッキ
SOLDER TAIL AREA: TIN-LEAD
下地メッキ : ニッケルメッキ
UNDERPLATING: NICKEL OVER ALL
ネール 接点部 : 金メッキ
NAIL CONTACT AREA: GOLD
半田付け部 : 半田メッキ
SOLDER TAIL AREA: TIN-LEAD
下地メッキ : ニッケルメッキ
UNDERPLATING: NICKEL OVER ALL
リヤネール 半田メッキ
REAR-NAIL TIN-LEAD
下地メッキ : 銅メッキ
UNDERPLATING: COPPER OVER ALL

3. 推奨基板厚 : t=0.8 MIN.

RECOMMENDED P.C.B. THICKNESS: t=0.8 MIN.

4. 適合カード厚 : 3.3±0.1 (TYPE I) AND 5 MAX. (TYPE II)

RECOMMENDED CARD THICKNESS: 3.3±0.1 (TYPE I) AND 5 MAX. (TYPE II)

5. 適合カード幅 : 42.8±0.1

RECOMMENDED CARD WIDTH: 42.8±0.1

6. ハウジング色 : 黒

HOUSING COLOR: BLACK

△ 寸法適用極 : 1,13,38,50

THIS DIMENSION APPLIES TO CIRCUIT NUMBERS 1,13,38 AND 50.

△ 寸法適用極 : 25,26

THIS DIMENSION APPLIES TO CIRCUIT NUMBERS 25 AND 26.

△ ピンの倒れは、ピン根元を基準に全方向へ 0.1 MAX.とする。

PIN TIP LEAN TOWARD ANY DIRECTION NOT TO EXCEED 0.1 WHEN MEASURED FROM PIN BASE.

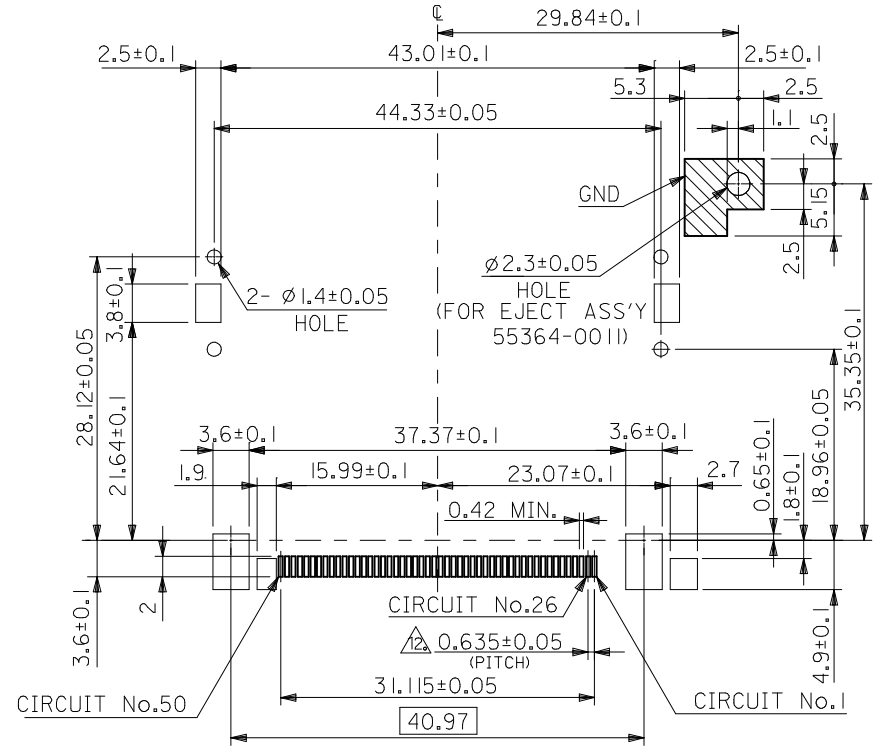
△ ピン根元に適用する。

THIS DIMENSION TO BE MEASURED AT PIN BASE.

△ ソルダータールは、Z面を基準とし上へ 0.05 下へ 0.1 の範囲にあり、且つソルダータールの平坦度は、0.1 MAX. とし、テール先端にて測定する。
SOLDERTAILS TO BE WITHIN 0.05 UPWARD AND 0.1 DOWNWARD FROM Z-DATUM PLACE, AND COPLANARITY OF SOLDERTAILS TO BE WITHIN 0.1.
MEASUREMENT POINT IS SOLDERTAILS TIP.

△ 公差非累積
NON-CUMULATIVE

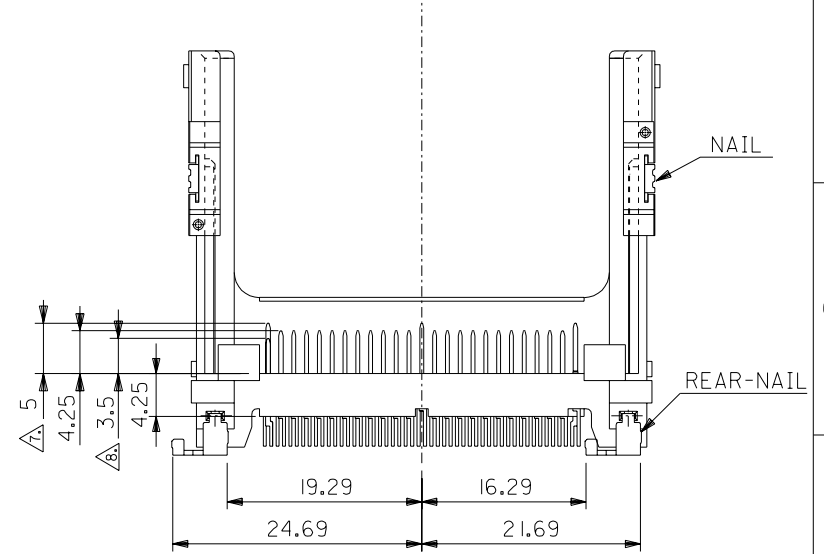
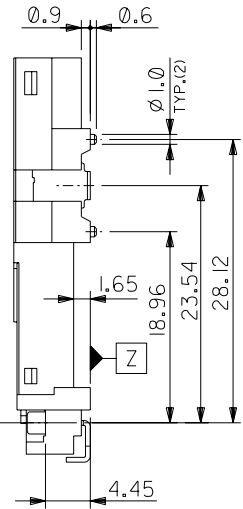
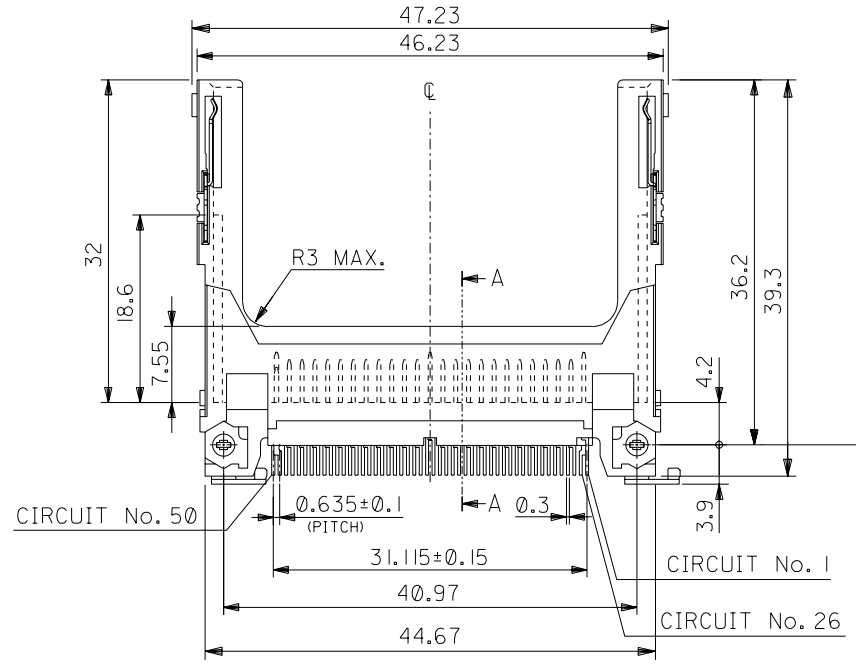
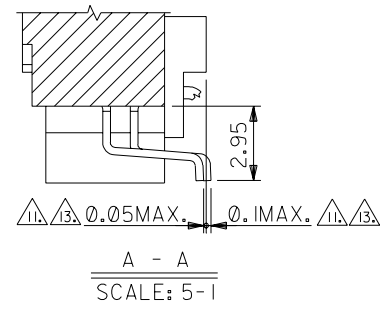
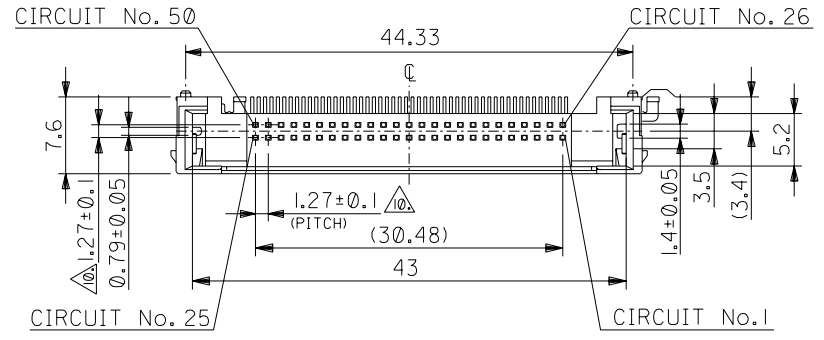
△ テールとネール、リヤネールを併せた平坦度は、0.1 MAX. とする。
TOTAL COPLANARITY OF SOLDER TAILS, NAILS AND REAR-NAILS TO BE 0.1 MAX.



基板推奨寸法
RECOMMENDED P.C.B. LAYOUT

REVISED EC NO: J2009-0469 DRWN: YOSHIDAM 2008/12/01 CHKD: THARUYAMA 2008/12/01 APPR: NUKITA 2008/12/08	GENERAL TOLERANCES (UNLESS SPECIFIED)		DIMENSION STYLE MM ONLY	SCALE 2:1	DESIGN UNITS METRIC	THIRD ANGLE PROJECTION
	10 UNDER	±0.2	DRAWN BY T. HIRAYAMA	DATE '98/09/01	TITLE CF CARD CONN. 50P HEADER ASSY (TYPE I/II,NORMAL)	
	10 OVER 30 UNDER	±0.25	CHECKED BY M. SASAO	DATE '98/09/01	MOLEX INCORPORATED	
	30 OVER	±0.3	APPROVED BY H. IKESUGI	DATE '98/09/01	DOCUMENT NO. SD-55358-003	SHEET NO. 2 OF 2
	ANGULAR ±3 °	MATERIAL NO. SEE SHEET1				
	DRAFT WHERE APPLICABLE MUST REMAIN WITHIN DIMENSIONS	THIS DRAWING CONTAINS INFORMATION THAT IS PROPRIETARY TO MOLEX INCORPORATED AND SHOULD NOT BE USED WITHOUT WRITTEN PERMISSION				

DWG. NO. SD-55358-011



DO NOT SCALE DRAWING

EC NO. DRWN: CHK: APPR:	EC NO. DRWN: CHK: APPR:	EC NO. DRWN: CHK: APPR:	EC NO. DRWN: CHK: APPR:	EC NO. DRWN: CHK: APPR:
RELEASED EC NO. J2002-3139 DRWN: THANYU '02/06/17 CHK: MSASAO '02/06/17 APPR: MSASAO '02/06/17				
DESCRIPTION				
MATERIAL 材料				
FINISH 仕上り				
WIRE RANGE 適用電線範囲				
INS. RANGE 被覆外径				

SEE NOTES
SEE NOTES

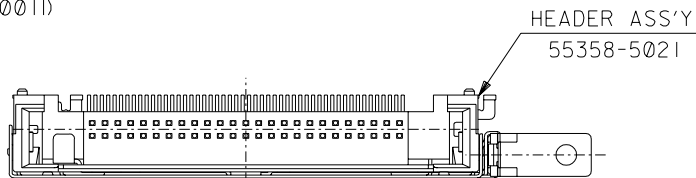
GENERAL TOLERANCES: (UNLESS SPECIFIED) 一般公差	10 UNDER 未満	±0.2
	10 OVER 30 UNDER 以上 未満	±0.25
	30 OVER 以上	±0.3
ANGLE 角度		±3°

SCALE 2 - 1	DESIGN UNITS <input checked="" type="checkbox"/> mm <input type="checkbox"/> INCH
DRAWN BY & DATE T. Hamura '02/06/17	
CHECKED BY & DATE H. Sasaki '02/06/17	
APPROVED BY & DATE H. Sasaki '02/06/17	
CAD FILENAME SD-55358-011.S01	

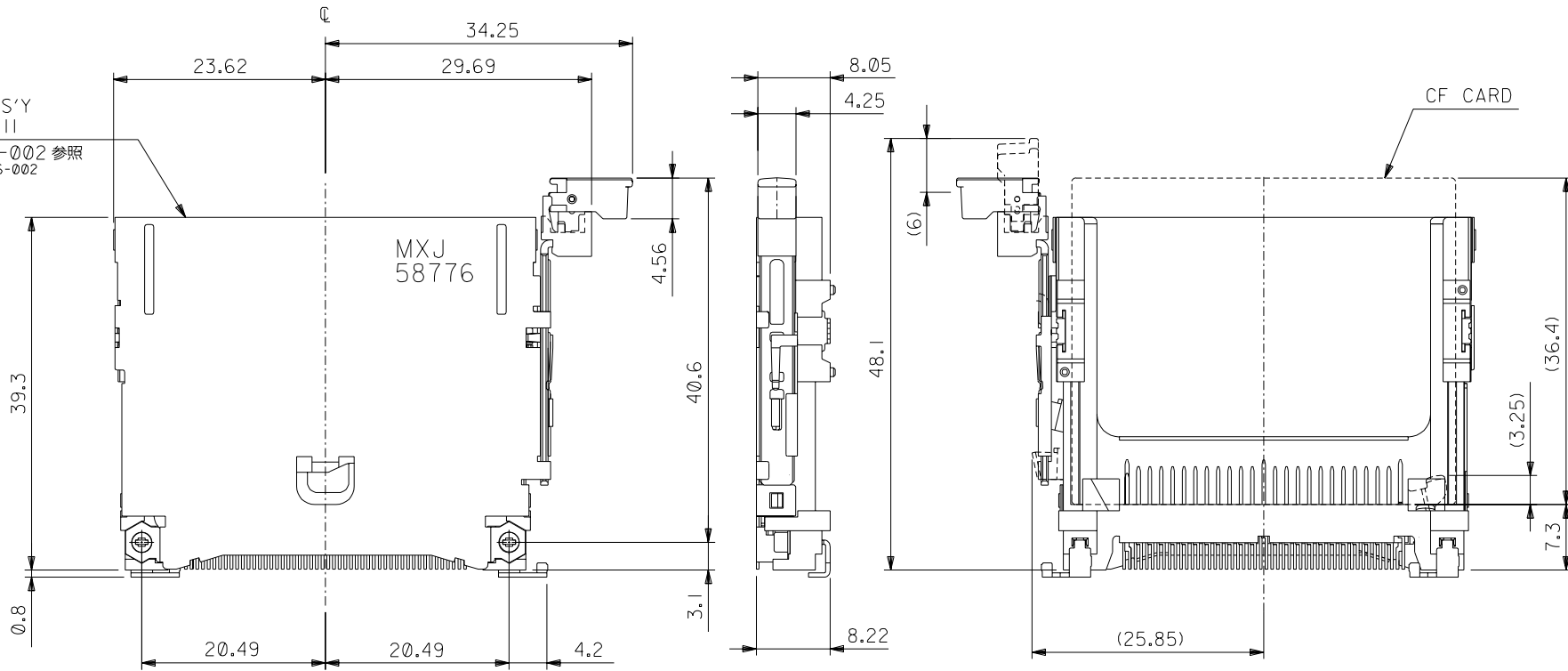
55358-5021		55358-50**	
MATERIAL No.		MODEL No.	
DIMENSIONS: <input type="checkbox"/> mm <input type="checkbox"/> INCH		SHT REV REVISE ON CAD ONLY	
THIRD ANGLE PROJECTION <input checked="" type="checkbox"/> THIRD ANGLE PROJECTION			
TITLE: CF CARD CONN. 50P HEADER ASS'Y (TYPE I/II, NORMAL)			
MOLEX INCORPORATED			
MATERIAL NO. SEE CHART	DRAWING NO. SD-55358-011	SHEET NO. 1 OF 3	
THIS DRAWING CONTAINS INFORMATION THAT IS PROPRIETARY TO MOLEX INCORPORATED AND SHOULD NOT BE USED WITHOUT WRITTEN PERMISSION.			SIZE B

REFERENCE USE ONLY

NORMAL MOUNT TYPE
(55358-5021 & 55356-0011)

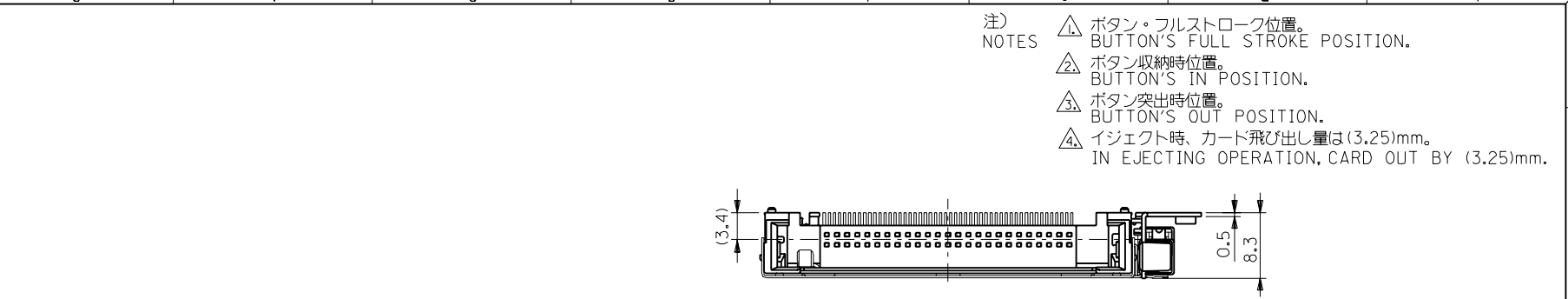


SHELL ASS'Y
55356-0011
SD-55356-002 参照
SEE SD-55356-002



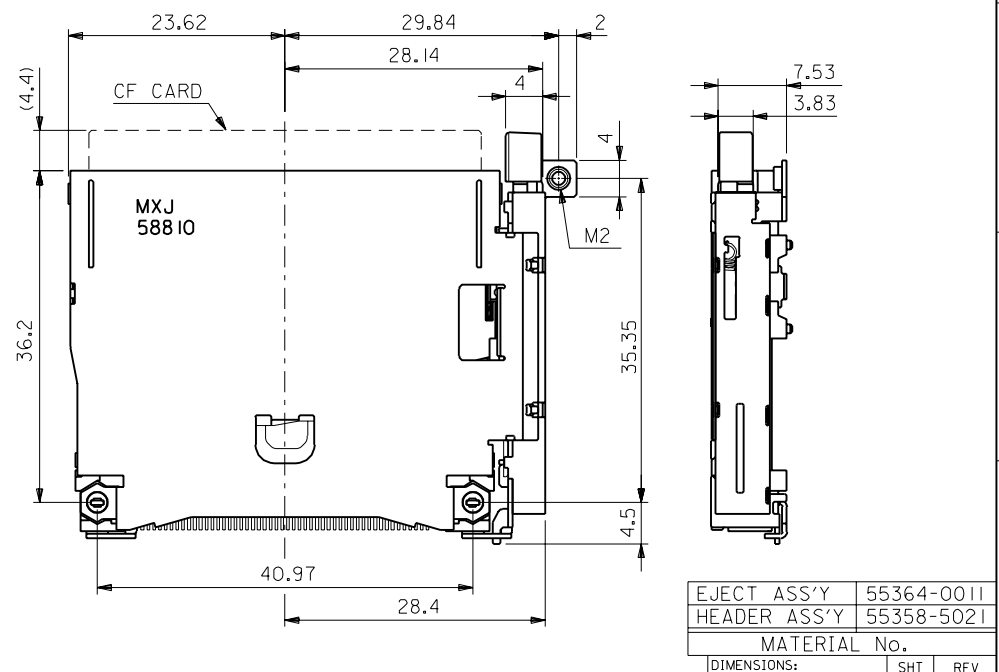
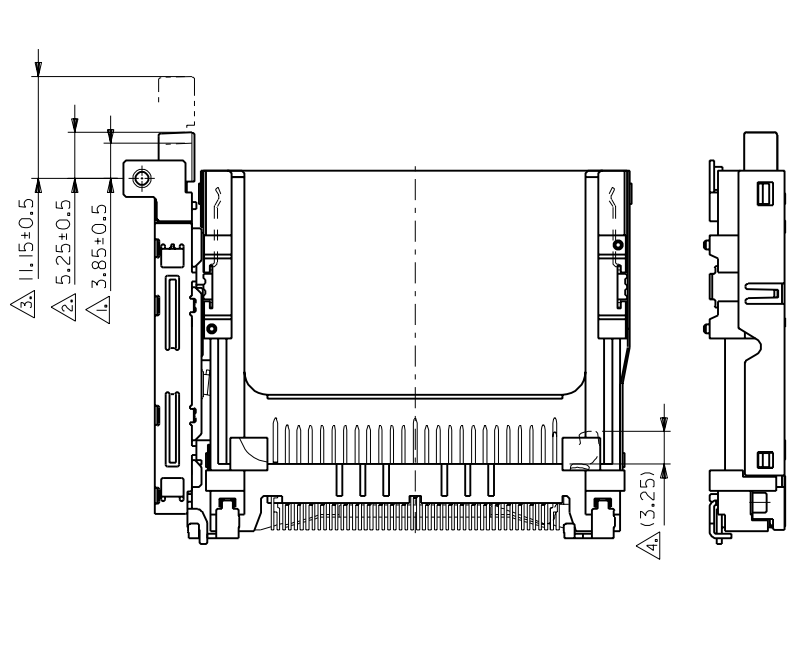
DO NOT SCALE DRAWING

EC NO. DRWN: CHK: APPR:				EC NO. DRWN: CHK: APPR:				EC NO. DRWN: CHK: APPR:				EC NO. DRWN: CHK: APPR:				SEE SHEET 1 OF 3 EC NO. DRWN: CHK: APPR:				MATERIAL 材料				GENERAL TOLERANCES: (UNLESS SPECIFIED) 一般公差				SCALE 2 - 1				DESIGN UNITS <input checked="" type="checkbox"/> mm <input type="checkbox"/> INCH				THIRD ANGLE PROJECTION				DIMENSIONS: <input type="checkbox"/> mm <input type="checkbox"/> INCH <input checked="" type="checkbox"/> mm ONLY				SHT REV																							
FINISH 仕上り				WIRE RANGE 適用電線範囲				INS. RANGE 被覆外径				10 UNDER 未満				10 OVER 30 UNDER 以上 未満				30 OVER 以上				ANGLE 角度				DRAWN BY & DATE <i>T. Hamura</i> '02/06/17				CHECKED BY & DATE <i>H. Sato</i> '02/06/17				APPROVED BY & DATE <i>[Signature]</i> '02/06/17				CAD FILENAME SD-55358-011.S03				MATERIAL NO. —				DRAWING NO. SD-55358-011				SHEET NO. 3															
																				TITLE: CF CARD CONN. 50P HEADER ASS'Y (TYPE I/II,NORMAL)																				MOLEX INCORPORATED																				THIS DRAWING CONTAINS INFORMATION THAT IS PROPRIETARY TO MOLEX INCORPORATED AND SHOULD NOT BE USED WITHOUT WRITTEN PERMISSION.				SIZE B			



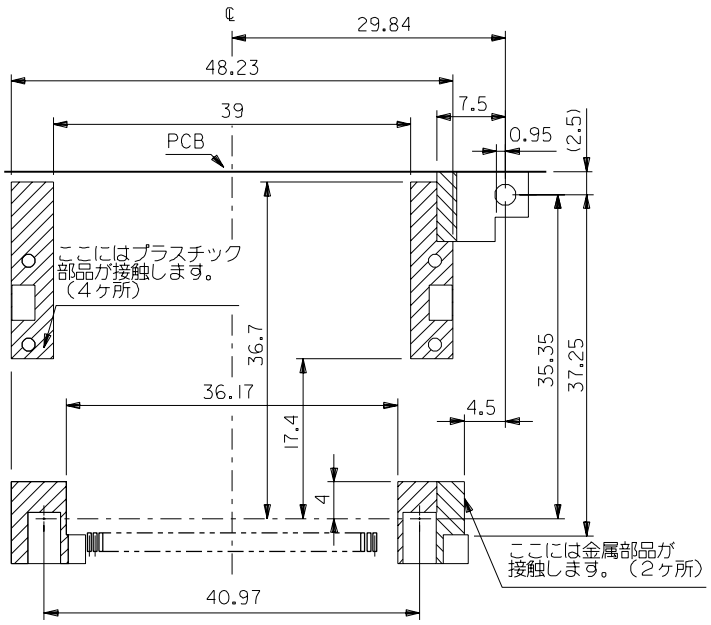
注) NOTES

- △1 ボタン・フルストローク位置。
BUTTON'S FULL STROKE POSITION.
- △2 ボタン収納時位置。
BUTTON'S IN POSITION.
- △3 ボタン突出時位置。
BUTTON'S OUT POSITION.
- △4 イジェクト時、カード飛び出し量は(3.25)mm。
IN EJECTING OPERATION, CARD OUT BY (3.25)mm.

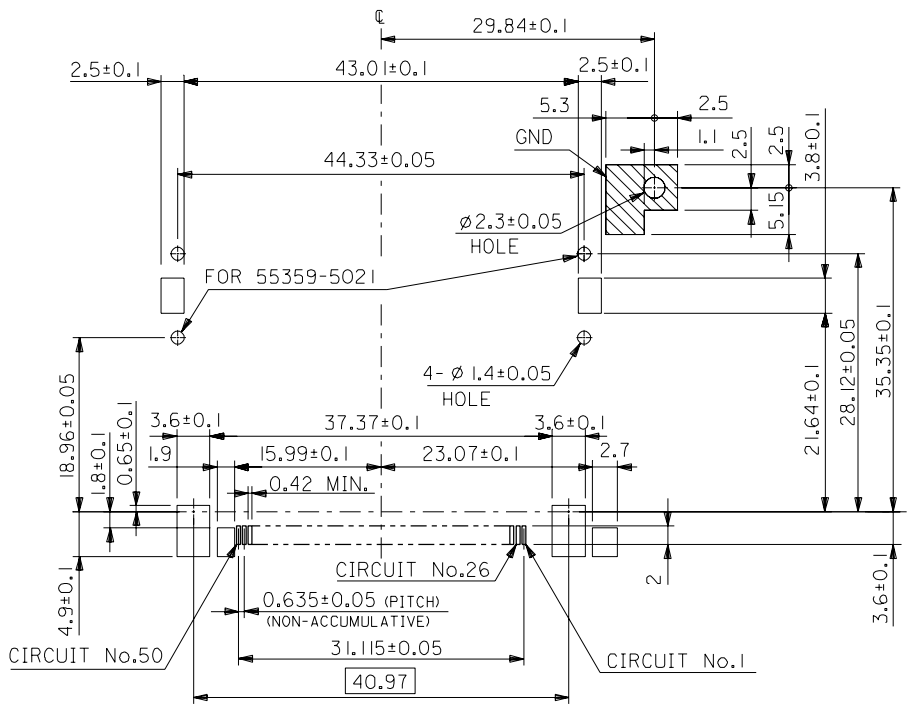


EJECT ASS'Y	55364-0011
HEADER ASS'Y	55358-5021
MATERIAL No.	

DO NOT SCALE DRAWING	EC NO. DRWN: CHK: APPR:	EC NO. DRWN: CHK: APPR:	REVISED EC NO. JD2000-1126 DRWN: THIRATA '95/07/31 CHK: MSASAO '95/07/31 APPR: HIKESUGI '95/07/31	REVISED EC NO. JD00137 DRWN: THIRATA '95/07/31 CHK: MSASAO '95/07/31 APPR: HIKESUGI '95/07/31	RELEASED EC NO. JD90360 DRWN: THIRATA '98/09/08 CHK: MSASAO '98/09/08 APPR: HIKESUGI '98/09/08	REV DESCRIPTION	MATERIAL 材料	GENERAL TOLERANCES: (UNLESS SPECIFIED) 一般公差	SCALE	DESIGN UNITS	THIRD ANGLE PROJECTION	DIMENSIONS: <input type="checkbox"/> mm <input type="checkbox"/> INCH <input checked="" type="checkbox"/> mm ONLY	SHT	REV
							FINISH 仕上げ		10 UNDER 未満	+0.2				
							WIRE RANGE 通所面積範囲	10 OVER 以上	30 UNDER 未満	+0.25	CHECKED BY & DATE <i>H. Saito</i> '98/09/08			
							INS. RANGE 被覆外径	30 OVER 以上		+0.3	APPROVED BY & DATE <i>H. Saito</i> '98/09/08			
								ANGLE 角度		+3°	CAD FILENAME 55364003.SOI	MATERIAL NO. SEE TABLE	DRAWING NO. SD-55364-003	SHEET NO. 1 OF 3
								THIS DRAWING CONTAINS INFORMATION THAT IS PROPRIETARY TO MOLEX INCORPORATED AND SHOULD NOT BE USED WITHOUT WRITTEN PERMISSION.						SIZE B



この図はすべて絶対寸法です。



基板推奨寸法

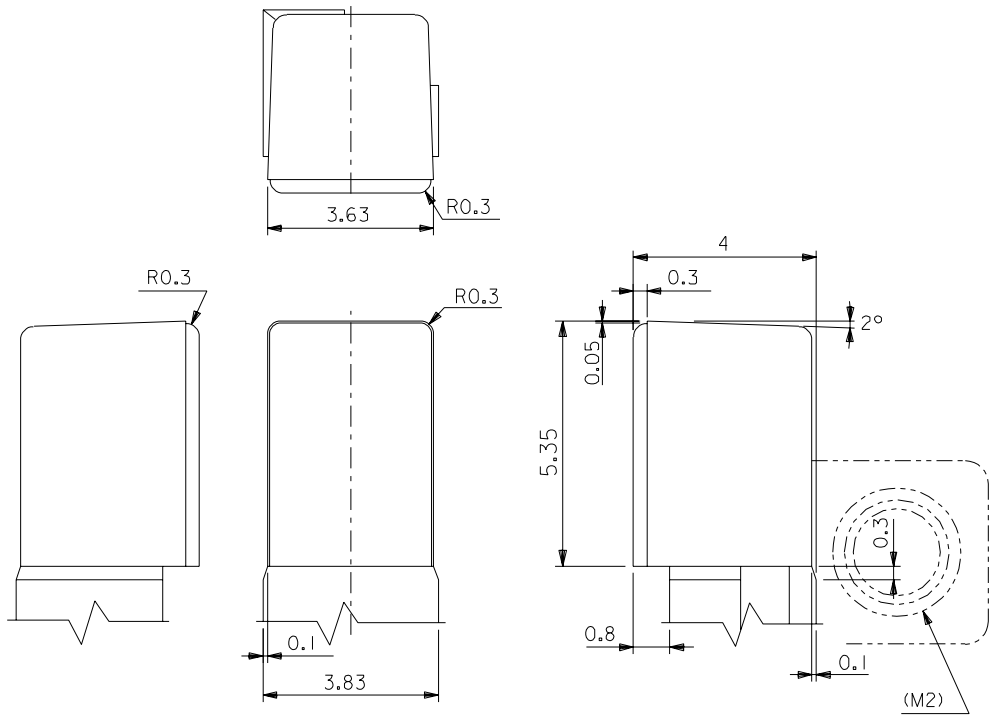
RECOMMENDED P.C.B. LAYOUT

EC NO. DRWN: CHK: APPR:	EC NO. DRWN: CHK: APPR:	EC NO. DRWN: CHK: APPR:	EC NO. DRWN: CHK: APPR:	EC NO. DRWN: CHK: APPR:	REV
		B	A	0	1 OF 3
DESCRIPTION					
MATERIAL 材料					
FINISH 仕上り					
WIRE RANGE 適用線径範囲					
INS. RANGE 被覆外径					

GENERAL TOLERANCES: (UNLESS SPECIFIED) 一般公差	SCALE	DESIGN UNITS	TITLE:
10 UNDER 未満	2 - 1	<input checked="" type="checkbox"/> mm <input type="checkbox"/> INCH	CF CARD CONN. EJECT MECHANISM (TYPE I/II, NORMAL)
10 OVER 以上 30 UNDER 未満			
30 OVER 以上			
ANGLE 角度			

DRAWN BY & DATE	CHECKED BY & DATE	APPROVED BY & DATE	CAD FILENAME	MATERIAL NO.	DRAWING NO.	SHEET NO.
T. Kizato '98/09/08	H. Saito '98/09/08	H. Saito '98/09/08	55364003.S02		SD-55364-003	2

DIMENSIONS:	SHT	REV
<input type="checkbox"/> mm <input type="checkbox"/> INCH <input checked="" type="checkbox"/> mm ONLY		
THIRD ANGLE PROJECTION		
REVISIONS		
THIS DRAWING CONTAINS INFORMATION THAT IS PROPRIETARY TO MOLEX INCORPORATED AND SHOULD NOT BE USED WITHOUT WRITTEN PERMISSION.		
SIZE B		



ボタン詳細寸法
DETAIL OF BUTTON

DO NOT SCALE DRAWING

EC NO. DRWN: CHK: APPR:	EC NO. DRWN: CHK: APPR:	EC NO. DRWN: CHK: APPR:	EC NO. DRWN: CHK: APPR:	EC NO. DRWN: CHK: APPR:	REV DESCRIPTION	MATERIAL 材料	GENERAL TOLERANCES: (UNLESS SPECIFIED) 一般公差	SCALE 10-1	DESIGN UNITS <input checked="" type="checkbox"/> mm <input type="checkbox"/> INCH	DIMENSIONS: <input type="checkbox"/> mm <input type="checkbox"/> INCH <input checked="" type="checkbox"/> mm ONLY	THIRD ANGLE PROJECTION	SHT	REV	
						FINISH 仕上り		10 UNDER 未満	+0.2			DRAWN BY & DATE <i>T. Kizata</i> '98/09/08	TITLE: CF CARD CONN. EJECT MECHANISM (TYPE I/II, NORMAL)	REVISE ON CAD ONLY
						WIRE RANGE 適用範囲線影		10 OVER 以上	+0.25			CHECKED BY & DATE <i>H. Saito</i> '98/09/08		
						INS. RANGE 被覆外径		30 UNDER 未満	+0.3			APPROVED BY & DATE <i>H. Saito</i> '98/09/08		
	30 OVER 以上	+0.3	CAD FILENAME 55364003.S03	MATERIAL NO. —	DRAWING NO. SD-55364-003	SHEET NO. 3								
								ANGLE 角度	+3°	MOLEX INCORPORATED			SIZE B	
								THIS DRAWING CONTAINS INFORMATION THAT IS PROPRIETARY TO MOLEX INCORPORATED AND SHOULD NOT BE USED WITHOUT WRITTEN PERMISSION.					EN-02J(097) MXJ-54	

A
55364003.S03