



Chipsmall Limited consists of a professional team with an average of over 10 year of expertise in the distribution of electronic components. Based in Hongkong, we have already established firm and mutual-benefit business relationships with customers from,Europe,America and south Asia,supplying obsolete and hard-to-find components to meet their specific needs.

With the principle of “Quality Parts,Customers Priority,Honest Operation,and Considerate Service”,our business mainly focus on the distribution of electronic components. Line cards we deal with include Microchip,ALPS,ROHM,Xilinx,Pulse,ON,Everlight and Freescale. Main products comprise IC,Modules,Potentiometer,IC Socket,Relay,Connector.Our parts cover such applications as commercial,industrial, and automotives areas.

We are looking forward to setting up business relationship with you and hope to provide you with the best service and solution. Let us make a better world for our industry!



Contact us

Tel: +86-755-8981 8866 Fax: +86-755-8427 6832

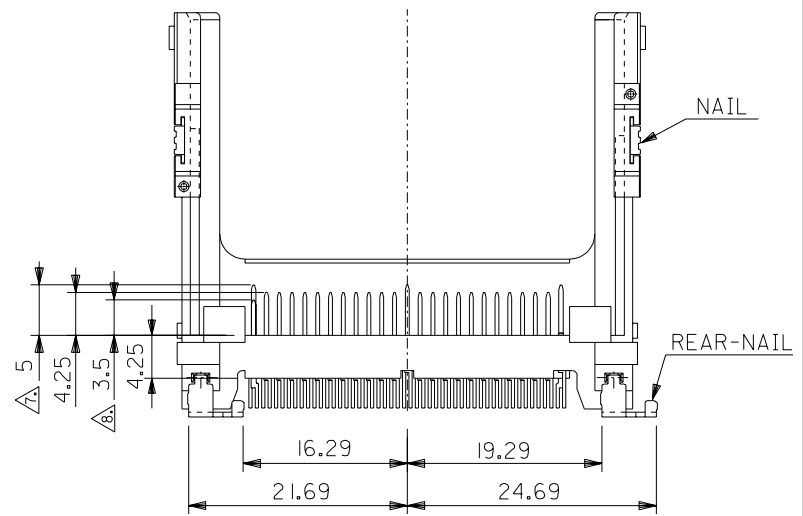
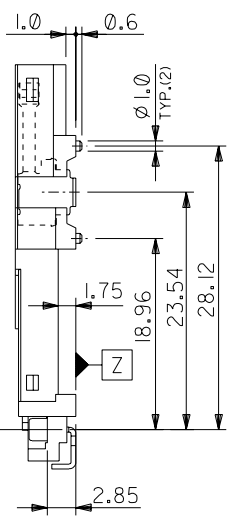
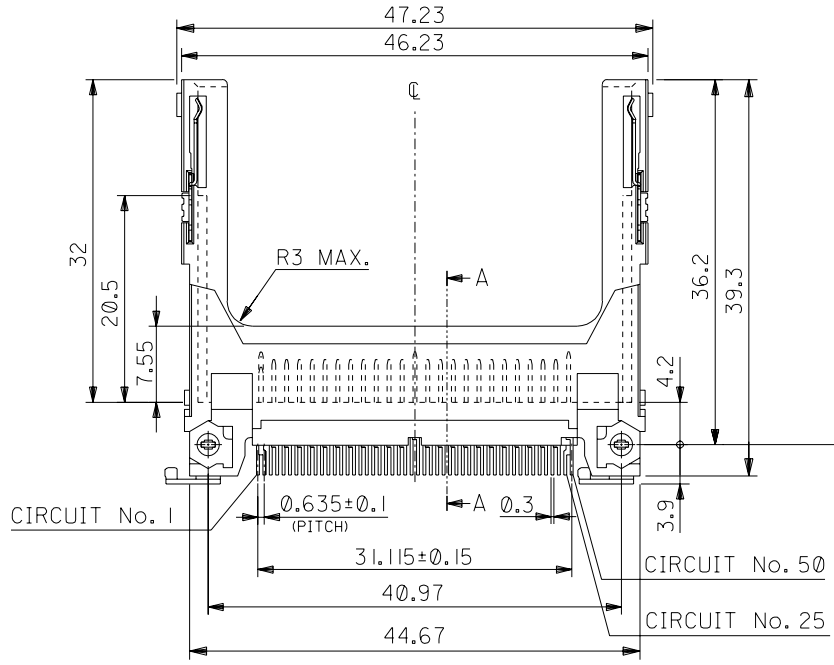
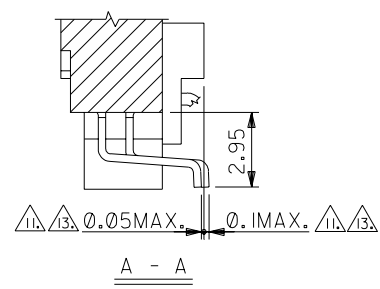
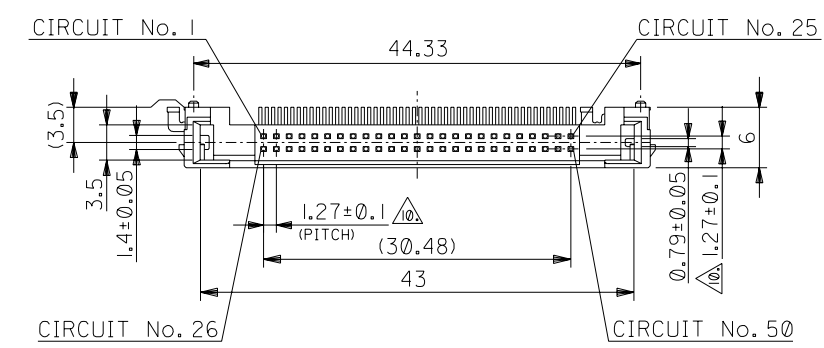
Email & Skype: info@chipsmall.com Web: www.chipsmall.com

Address: A1208, Overseas Decoration Building, #122 Zhenhua RD., Futian, Shenzhen, China



DO NOT SCALE DRAWING

DWG. NO. SD-55359-015



SEMI-HARD TRAY PACKAGE	55359-5027
SOFT TRAY PACKAGE	55359-5029
PACKING TRAY FORM	MATERIAL NO.

EC NO. DRWN: CHK: APPR:	EC NO. DRWN: CHK: APPR:	EC NO. DRWN: CHK: APPR:	EC NO. DRWN: CHK: APPR:
RELEASED '04/03/22	EC NO. J2004-3249	DRWN: Y.SAKIYAMA	CHK: M.SASAO
		APPR: M.SASAO	

MATERIAL 材料	SHEET 2 OF 2 参照 REFER TO SHEET 2 OF 2
FINISH 仕上り	SHEET 2 OF 2 参照 REFER TO SHEET 2 OF 2
WIRE RANGE 適用線被範圍	— / —
INS. RANGE 被覆外径	— / —

GENERAL TOLERANCES: (UNLESS SPECIFIED) 一般公差	SCALE	DESIGN UNITS
10 UNDER 未滿	—	<input checked="" type="checkbox"/> mm <input type="checkbox"/> INCH
10 OVER 30 UNDER 未滿	±0.2	
30 OVER 以上	±0.25	
ANGLE 角度	±3°	

DRAWN BY & DATE <i>Y. Sakiyama</i> '04/03/22	THIRD ANGLE PROJECTION	DIMENSIONS: <input type="checkbox"/> mm <input type="checkbox"/> INCH <input checked="" type="checkbox"/> mm ONLY	SHT REV
CHECKED BY & DATE <i>H. Sasaki</i> '04/03/22			REVISE ON CAD ONLY
APPROVED BY & DATE <i>M. Sasaki</i> '04/03/22			

TITLE: CF CARD CONN. 50P HEADER ASS'Y (TYPE I/II, REVERSE) -LEAD FREE-		
MOLEX INCORPORATED		
MATERIAL NO.	DRAWING NO.	SHEET NO.
SEE CHART	SD-55359-015	1 OF 2
THIS DRAWING CONTAINS INFORMATION THAT IS PROPRIETARY TO MOLEX INCORPORATED AND SHOULD NOT BE USED WITHOUT WRITTEN PERMISSION.		SIZE B

DWG. NO. SD-55359-016

F

E

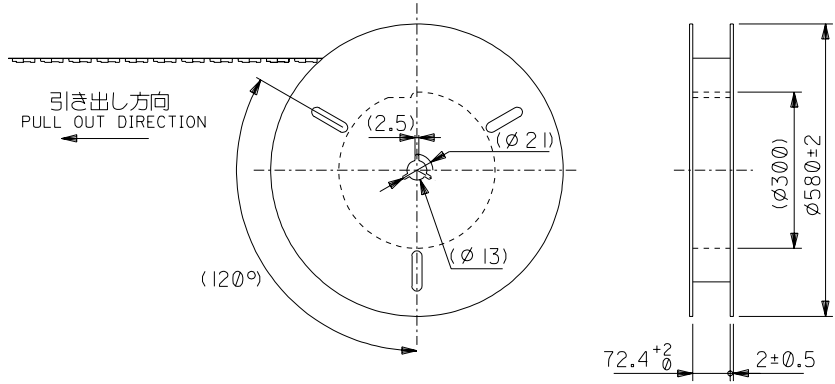
D

C

B

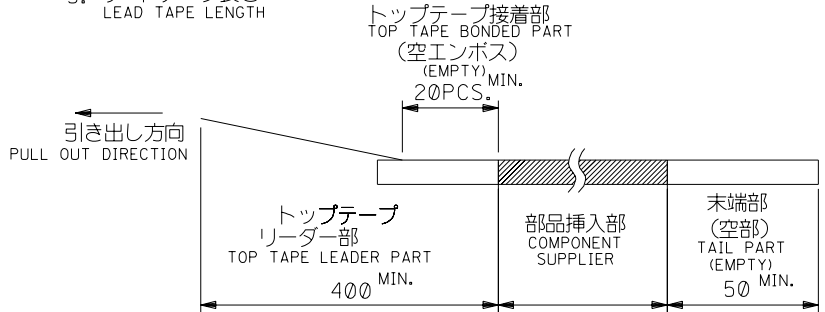
DO NOT SCALE DRAWING

8 7 6 5 4 3 2 1



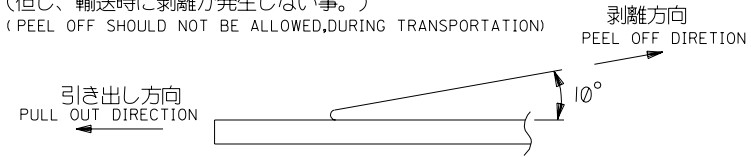
注)
NOTES

- 製品番号 55359-5029の詳細寸法については、SD-55359-015 を参照下さい。
IN THE PACKAGE, PART NO. 55359-5029 DETAILED DIMENSIONS, SEE SD-55359-015.
- 梱包数量 : 300 個/リール
NUMBER OF CONNECTORS : 300 PCS/REEL
- リードテープ長さ
LEAD TAPE LENGTH



- トップテープの剥離強度 : (剥離方向は下図参照)
PEELING OFF FORCE OF TOP TAPE (PEELING DIRECTION AS SHOWN IN FOLLOWING FIG.)
0.1~1.3N {10~130gf} : キャリアテープ幅72mm
CARRIER TAPE WIDTH 72mm

尚、本規格値は、出荷時に適用。
THIS REQUIREMENT SHOULD BE APPLIED AT SHIPMENT
(但し、輸送時に剥離が発生しない事。)
(PEEL OFF SHOULD NOT BE ALLOWED, DURING TRANSPORTATION)



- 材料
MATERIAL
キャリアテープ : ポリプロピレン (PP)
CARRIER TAPE : POLYPROPYLENE (PP)
トップテープ : PET, PE, PEF
TOP TAPE : PET, PE, PEF
リール : 紙
REEL : CARD BOARD

- 本製品は55359-5028の鉛フリー品である。
THIS PRODUCT IS LEAD FREE OF 55359-5028.

55359-5078
MATERIAL NO.

EC NO. DRWN: CHK: APPR:	EC NO. DRWN: CHK: APPR:	EC NO. DRWN: CHK: APPR:	EC NO. DRWN: CHK: APPR:	EC NO. DRWN: CHK: APPR:	EC NO. DRWN: CHK: APPR:

MATERIAL 材料	注記参照 SEE NOTES
FINISH 仕上げ	#
WIRE RANGE 適用電線範囲	#
INS. RANGE 被覆外径	#

GENERAL TOLERANCES: (UNLESS SPECIFIED) 一般公差	10 UNDER 未満	±0.2
	10 OVER 以上	±0.25
	30 UNDER 未満	±0.3
	30 OVER 以上	±3°
ANGLE 角度		

55359-5078		MODEL NO.	DIMENSIONS:	SHT	REV
SCALE	DESIGN UNITS	THIRD ANGLE PROJECTION	<input type="checkbox"/> mm <input type="checkbox"/> INCH	<input checked="" type="checkbox"/> mm ONLY	REVISE ON CAD ONLY
DRAWN BY & DATE Y. Sakiyama '04/03/22		TITLE: EMBSTP PKG FOR CF CARD CONN. 50P HEADER ASSY -LEAD FREE-			
CHECKED BY & DATE H. Saito '04/03/22		MOLEX MOLEX INCORPORATED			
APPROVED BY & DATE H. Saito '04/03/22		MATERIAL NO.	DRAWING NO.	SHEET NO.	
CAD FILENAME SD-55359-016.S01		SEE CHART	SD-55359-016	1 OF 2	
THIS DRAWING CONTAINS INFORMATION THAT IS PROPRIETARY TO MOLEX INCORPORATED AND SHOULD NOT BE USED WITHOUT WRITTEN PERMISSION.					
SIZE B					

8 7 6 5 4 3 2 1 EN-02J(097) MXJ-54

F

E

D

C

B

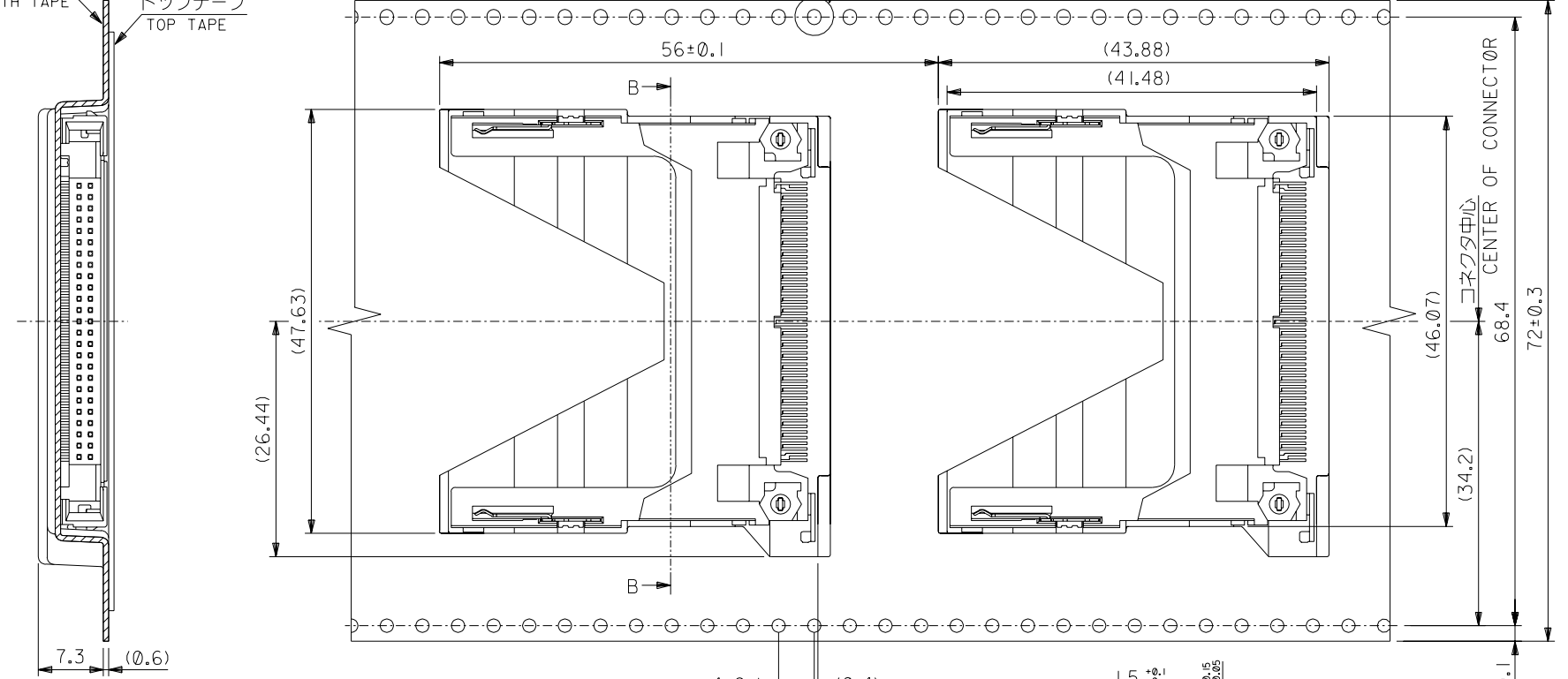
A

SD-55359-016.S01

DWG. NO. SD-55359-016

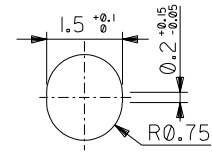
72巾テープ
72 WIDTH TAPE
トップテープ
TOP TAPE

引き出し方向
PULL OUT DIRECTION



断面 B-B
SECTION B-B

累積ピッチ: 40±0.2
ACCUMULATIVE PITCH: 40±0.2



A部詳細
DETAIL A

DO NOT SCALE DRAWING

EC NO.	DRWN:	CH'K:	APPR:	EC NO.	DRWN:	CH'K:	APPR:	EC NO.	DRWN:	CH'K:	APPR:	EC NO.	DRWN:	CH'K:	APPR:	RELEASED '04/03/22	EC NO. J2004-3249	DRWN: Y.SAKIYAMA	CH'K: MASASAO	APPR: M.SASAO

MATERIAL 材料	SHEET 1 OF 2 参照 REFER TO SHEET 1 OF 2	
FINISH 仕上げ	--	
WIRE RANGE 適用電線範囲	--	
INS. RANGE 被覆外径	--	

GENERAL TOLERANCES: (UNLESS SPECIFIED) 一般公差		
10 UNDER 未満	±0.2	
10 OVER 30 UNDER 以上 未満	±0.25	
30 OVER 以上	±0.3	
ANGLE 角度	±3°	

55359-***78		MODEL NO.	DIMENSIONS:		SHT	REV
SCALE	DESIGN UNITS	THIRD ANGLE PROJECTION	<input type="checkbox"/> mm	<input type="checkbox"/> INCH	<input checked="" type="checkbox"/> mm ONLY	REVISE ON CAD ONLY
DRAWN BY & DATE Y.Sakiyama '04/03/22		TITLE: EMBSTP PKG FOR CF CARD CONN. 50P HEADER ASSY -LEAD FREE-				
CHECKED BY & DATE H. Saito '04/03/22		MOLEX MOLEX INCORPORATED				
APPROVED BY & DATE H. Saito '04/03/22		MATERIAL NO.	DRAWING NO.	SHEET NO.		
CAD FILENAME SD-55359-016.S02		SEE CHART	SD-55359-016	2 OF 2		
THIS DRAWING CONTAINS INFORMATION THAT IS PROPRIETARY TO MOLEX INCORPORATED AND SHOULD NOT BE USED WITHOUT WRITTEN PERMISSION.						
					SIZE B	