



Chipsmall Limited consists of a professional team with an average of over 10 year of expertise in the distribution of electronic components. Based in Hongkong, we have already established firm and mutual-benefit business relationships with customers from,Europe,America and south Asia,supplying obsolete and hard-to-find components to meet their specific needs.

With the principle of “Quality Parts,Customers Priority,Honest Operation,and Considerate Service”,our business mainly focus on the distribution of electronic components. Line cards we deal with include Microchip,ALPS,ROHM,Xilinx,Pulse,ON,Everlight and Freescale. Main products comprise IC,Modules,Potentiometer,IC Socket,Relay,Connector.Our parts cover such applications as commercial,industrial, and automotives areas.

We are looking forward to setting up business relationship with you and hope to provide you with the best service and solution. Let us make a better world for our industry!



Contact us

Tel: +86-755-8981 8866 Fax: +86-755-8427 6832

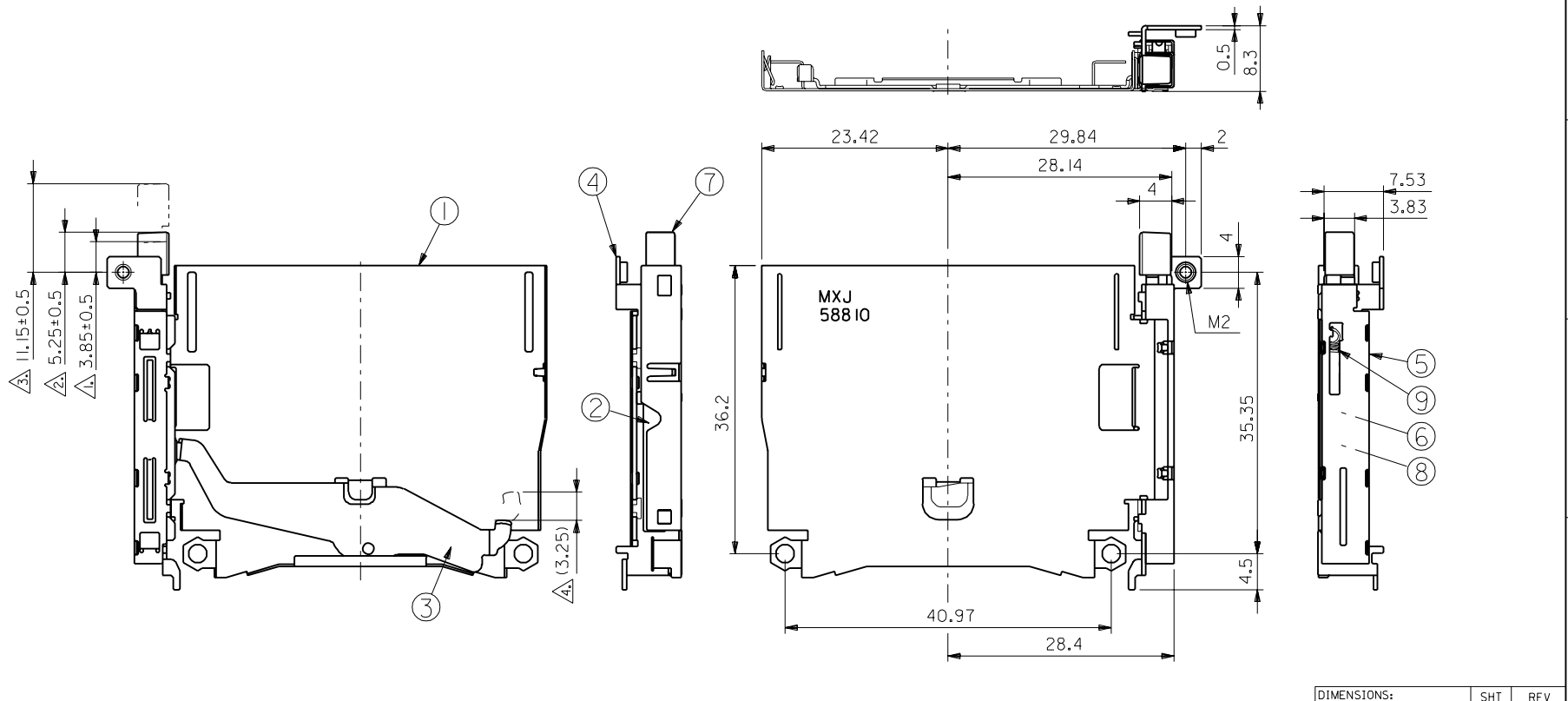
Email & Skype: info@chipsmall.com Web: www.chipsmall.com

Address: A1208, Overseas Decoration Building, #122 Zhenhua RD., Futian, Shenzhen, China



DWG. NO. SD-55364-002

注) NOTES
 △1 ボタン・フルストローク位置。
 BUTTON'S FULL STROKE POSITION.
 △2 ボタン収納時位置。
 BUTTON'S IN POSITION.
 △3 ボタン突出時位置。
 BUTTON'S OUT POSITION.
 △4 イジェクト時、カード飛び出し量は(3.25)mm。
 IN EJECTING OPERATION, CARD OUT BY (3.25)mm.



DO NOT SCALE DRAWING

EC NO. DRWN: CHK: APPR:	EC NO. DRWN: CHK: APPR:	EC NO. DRWN: CHK: APPR:	EC NO. DRWN: CHK: APPR:	RELEASED EC NO. JD90381 DRWN: THIRATA '98/09/09 CHK: MSASAO '98/09/08 APPR: HIKESUGI '98/09/09	MATERIAL 材料 SEE NOTES	GENERAL TOLERANCES: (UNLESS SPECIFIED) 一般公差	SCALE 2 - 1 <input checked="" type="checkbox"/> mm <input type="checkbox"/> INCH	DESIGN UNITS <input checked="" type="checkbox"/> mm <input type="checkbox"/> INCH	DIMENSIONS: <input type="checkbox"/> mm <input type="checkbox"/> INCH <input checked="" type="checkbox"/> mm ONLY	SHT REV
				FINISH 仕上り SEE NOTES	10 UNDER 未満 +0.2	DRAWN BY & DATE T. Hirata '98/09/09	TITLE: CF CARD CONN. EJECT MECHANISM EJECT ASS'Y			
				WIRE RANGE 適用線径範囲 #	10 OVER 以上 +0.25	CHECKED BY & DATE H. Saito '98/09/09	APPROVED BY & DATE [Signature] '98/09/09			
				INS. RANGE 被覆外径 #	30 OVER 以上 +0.3	CAD FILENAME 55364002.S01	MATERIAL NO. 55364-0011	DRAWING NO. SD-55364-002	SHEET NO. 1 OF 2	SIZE B
8	7	6	5	4	3	2	THIS DRAWING CONTAINS INFORMATION THAT IS PROPRIETARY TO MOLEX INCORPORATED AND SHOULD NOT BE USED WITHOUT WRITTEN PERMISSION.			

DWG. NO. SD-55364-002

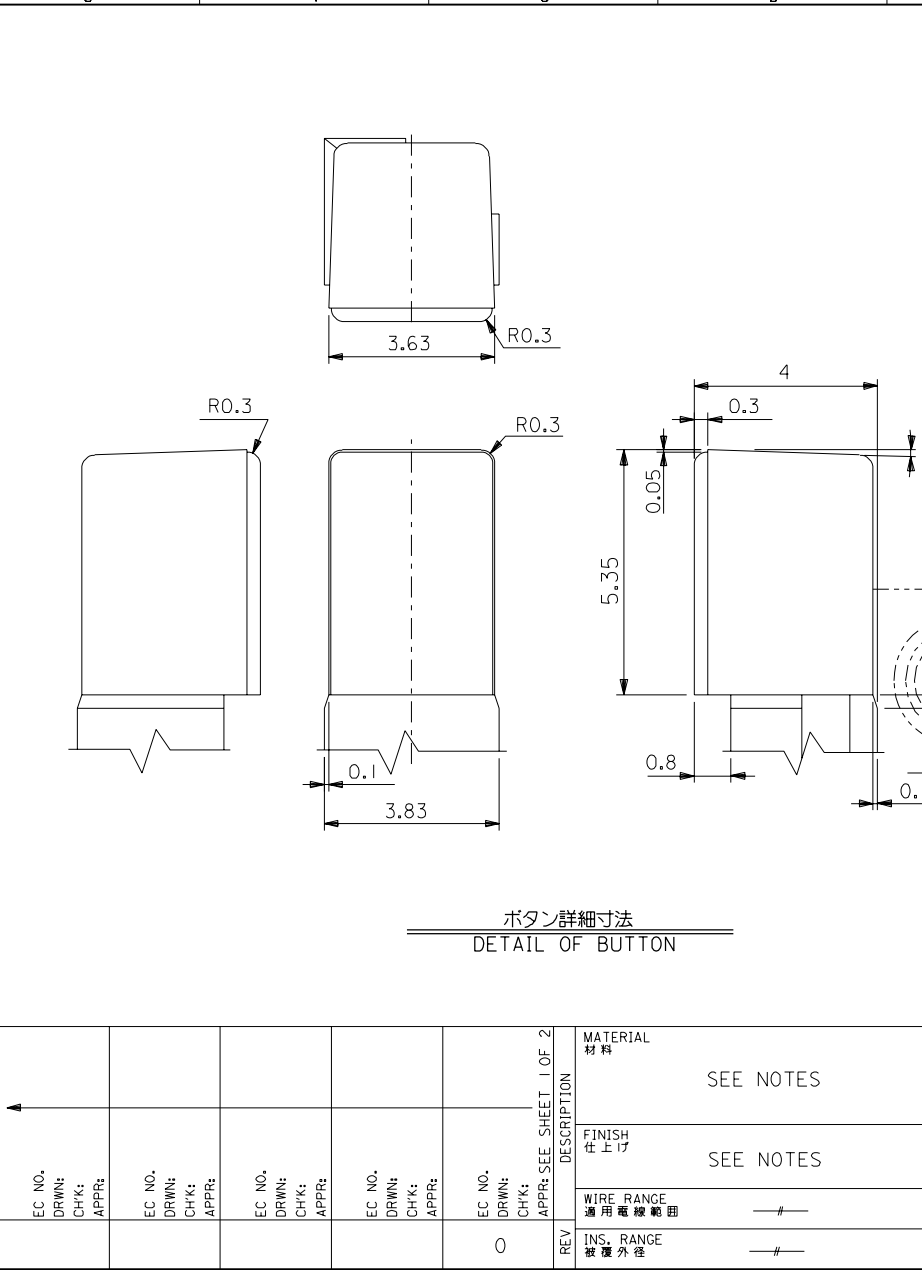
E

D

C

B

DO NOT SCALE DRAWING



No.	品名 NAME	材料 MATERIAL	仕上げ FINISH	個数 PIECE
1	METAL SHELL	ステンレス鋼 t 0.25 STAINLESS STEEL t 0.25	—	1
2	PUSH ROD	ステンレス鋼 t 0.5 STAINLESS STEEL t 0.5	—	1
3	LEVER	ステンレス鋼 t 0.4 STAINLESS STEEL t 0.4	—	1
4	SIDE PLATE	ステンレス鋼 t 0.5 STAINLESS STEEL t 0.5	—	1
5	SIDE COVER	ステンレス鋼 t 0.25 STAINLESS STEEL t 0.25	—	1
6	PIN PLATE	鋼 STEEL	フッ素樹脂コーティング FLUORINE RESIN COATING	1
7	SLIDER	ポリカーボネート UL94V-0 色 :黒色 POLYCARBONATE UL94V-0 COLOR:BLACK	—	1
8	HEART CAM	ポリカーボネート UL94V-0 色 :黒色 POLYCARBONATE UL94V-0 COLOR:BLACK	—	1
9	COIL SPRING	ステンレス鋼 φ 0.22 STAINLESS STEEL φ 0.22	—	1

F

E

D

C

B

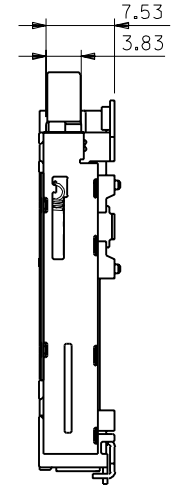
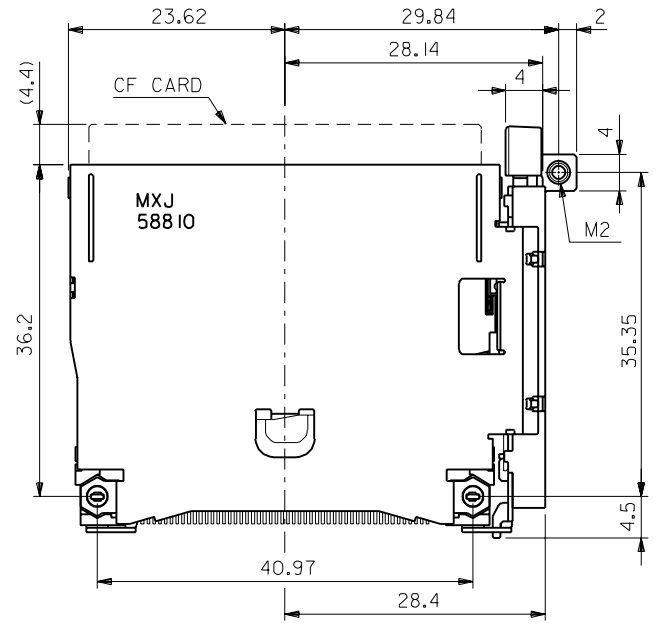
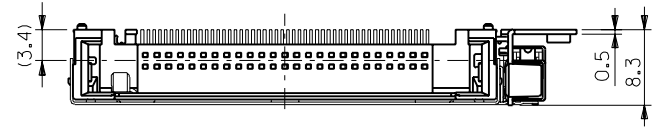
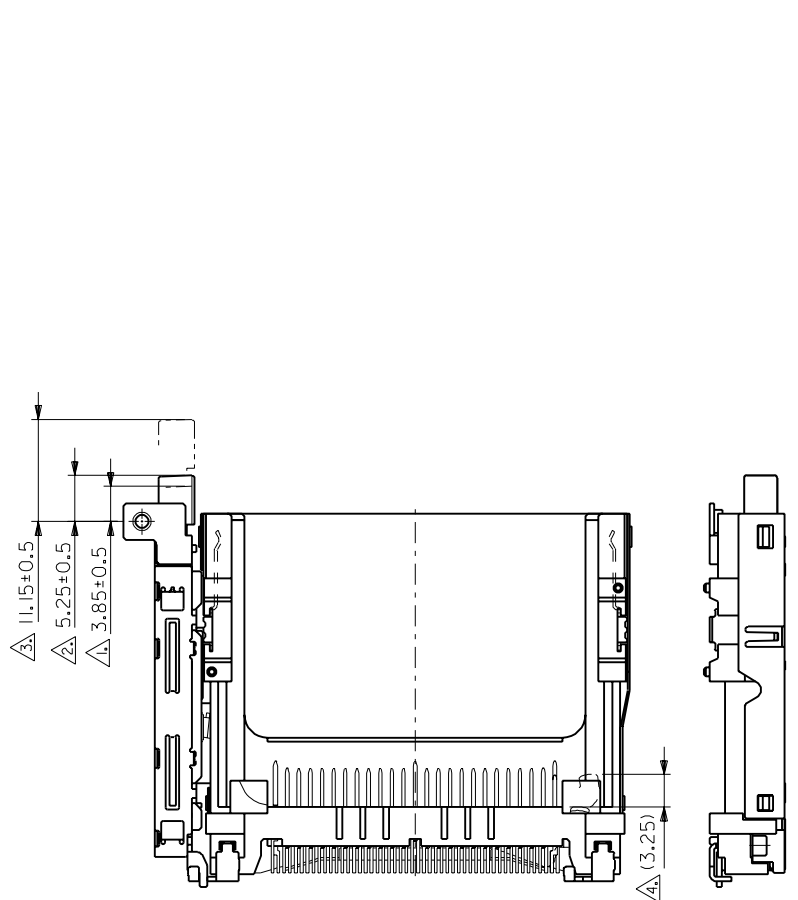
A

55364002.S02

ボタン詳細寸法
DETAIL OF BUTTON

EC NO. DRWN: CHK: APPR:	EC NO. DRWN: CHK: APPR:	EC NO. DRWN: CHK: APPR:	EC NO. DRWN: CHK: APPR:	EC NO. DRWN: CHK: APPR:	EC NO. DRWN: CHK: APPR:	REV DESCRIPTION	MATERIAL 材料	GENERAL TOLERANCES: (UNLESS SPECIFIED) 一般公差	SCALE 2 - 1	DESIGN UNITS <input checked="" type="checkbox"/> mm <input type="checkbox"/> INCH	THIRD ANGLE PROJECTION	DIMENSIONS: <input type="checkbox"/> mm <input type="checkbox"/> INCH <input checked="" type="checkbox"/> mm ONLY	SHT REV
					0	SEE NOTES	SEE NOTES	10 UNDER 未満	+0.2	DRAWN BY & DATE T. Kizata '98/09/09	TITLE: CF CARD CONN. EJECT MECHANISM EJECT ASS'Y	REVISE ON CAD ONLY	
						FINISH 仕上げ	SEE NOTES	10 OVER 以上	+0.25	CHECKED BY & DATE H. Saito '98/09/09			
						WIRE RANGE 通所電線範囲	—	30 OVER 以上	+0.3	APPROVED BY & DATE H. Saito '98/09/09			
						INS. RANGE 被覆外径	—	ANGLE 角度	+3°	CAD FILENAME 55364002.S02	MATERIAL NO. 55364-0011	DRAWING NO. SD-55364-002	SHEET NO. 2
										THIS DRAWING CONTAINS INFORMATION THAT IS PROPRIETARY TO MOLEX INCORPORATED AND SHOULD NOT BE USED WITHOUT WRITTEN PERMISSION.		SIZE B	

DWG. NO. SD-55364-003



注) NOTES
 △ ボタン・フルストローク位置。
 BUTTON'S FULL STROKE POSITION.
 △ ボタン収納時位置。
 BUTTON'S IN POSITION.
 △ ボタン突出時位置。
 BUTTON'S OUT POSITION.
 △ イジェクト時、カード飛び出し量は(3.25)mm。
 IN EJECTING OPERATION, CARD OUT BY (3.25)mm.

EJECT ASS'Y	55364-0011
HEADER ASS'Y	55358-5021

MATERIAL No.

DIMENSIONS:		SHT	REV
<input type="checkbox"/> mm	<input type="checkbox"/> INCH	<input checked="" type="checkbox"/> mm ONLY	REVISE ON CAD ONLY

EC NO. DRWN: CHK: APPR:	EC NO. DRWN: CHK: APPR:	REVISED EC NO. JD2000-1126 DRWN: THIRATA '99/07/31 CHK: MSASAO '99/07/31 APPR: HIKESUGI '99/07/31	REVISED EC NO. JD00137 DRWN: THIRATA '99/07/31 CHK: MSASAO '99/07/31 APPR: HIKESUGI '99/07/31	RELEASED EC NO. JD90360 DRWN: THIRATA '98/09/08 CHK: MSASAO '98/09/08 APPR: HIKESUGI '98/09/08
B	A			O

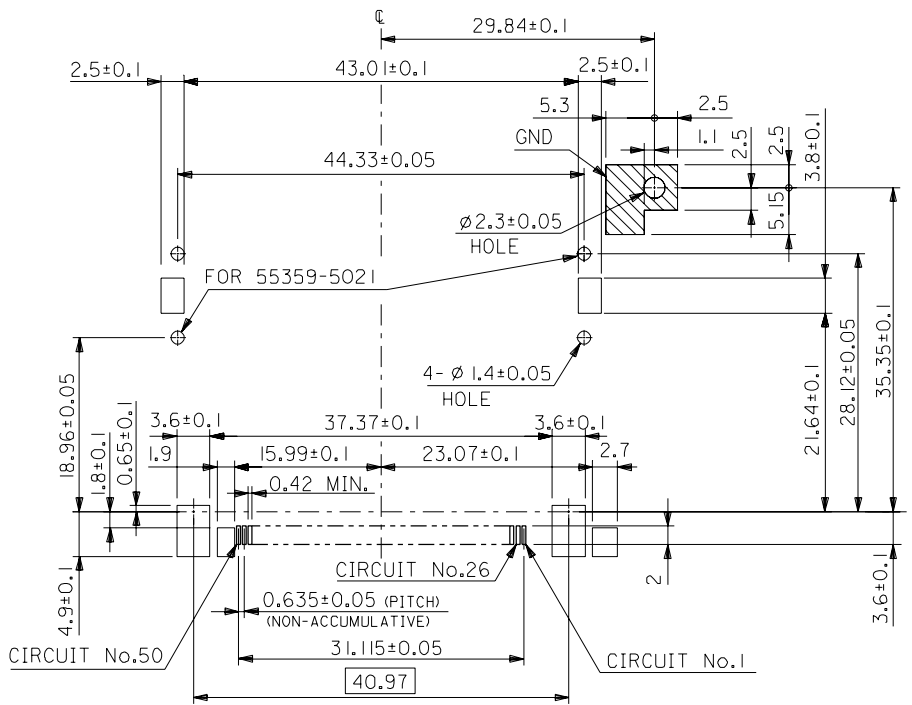
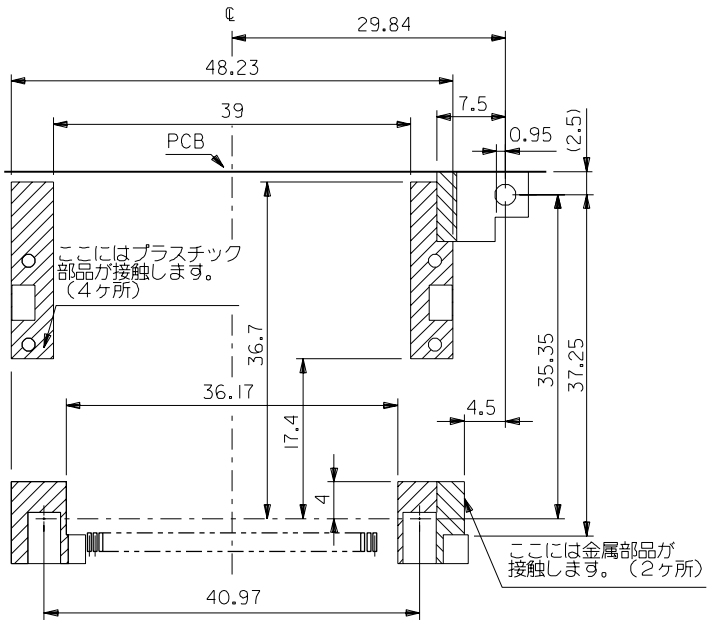
MATERIAL 材料	— # —
FINISH 仕上げ	— # —
WIRE RANGE 適用線径範囲	— # —
INS. RANGE 被覆外径	— # —

GENERAL TOLERANCES: (UNLESS SPECIFIED) 一般公差	10 UNDER 未満	+0.2
	10 OVER 以上	+0.25
	30 UNDER 未満	+0.25
	30 OVER 以上	+0.3
ANGLE 角度		+3°

SCALE 2 - 1	DESIGN UNITS <input checked="" type="checkbox"/> mm <input type="checkbox"/> INCH
DRAWN BY & DATE <i>T. Hirata</i> '98/09/08	TITLE: CF CARD CONN. EJECT MECHANISM (TYPE I/II, NORMAL)
CHECKED BY & DATE <i>H. Saito</i> '98/09/08	APPROVED BY & DATE <i>H. Saito</i> '98/09/08
CAD FILENAME 55364003.SOI	MATERIAL NO. SEE TABLE

MOLEX INCORPORATED		DRAWING NO. SD-55364-003	SHEET NO. 1 OF 3
THIS DRAWING CONTAINS INFORMATION THAT IS PROPRIETARY TO MOLEX INCORPORATED AND SHOULD NOT BE USED WITHOUT WRITTEN PERMISSION.		SIZE B	EN-02J(097) MXJ-54

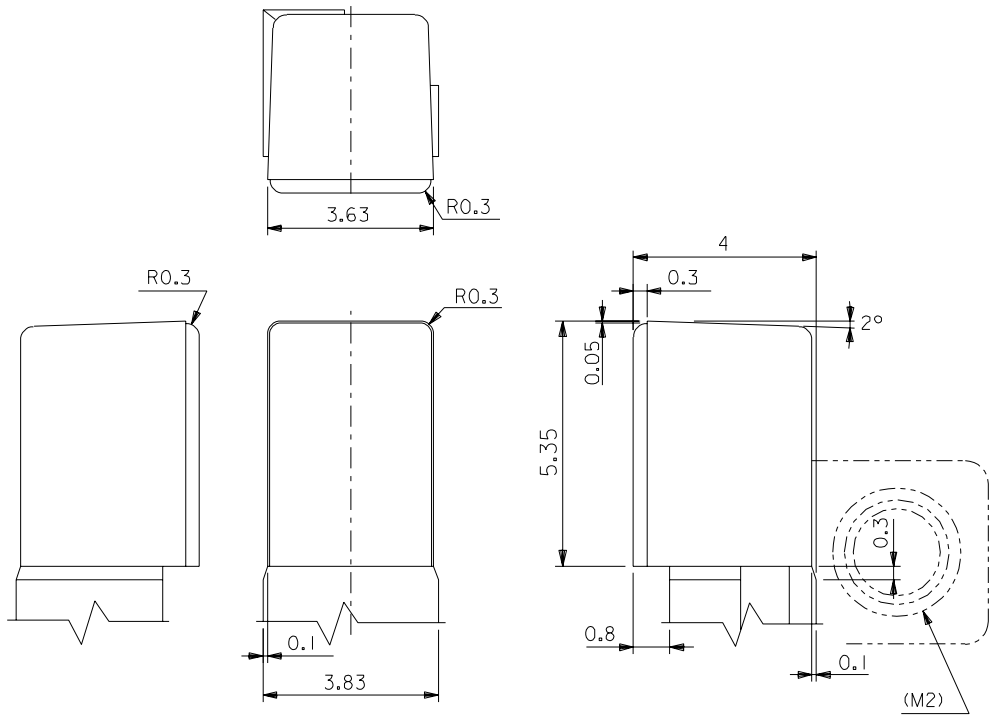
DO NOT SCALE DRAWING



基板推奨寸法
RECOMMENDED P.C.B. LAYOUT

DO NOT SCALE DRAWING

EC NO. DRWN: CHK: APPR:	EC NO. DRWN: CHK: APPR:	EC NO. DRWN: CHK: APPR:	EC NO. DRWN: CHK: APPR:	EC NO. DRWN: CHK: APPR:	REV	MATERIAL 材料	GENERAL TOLERANCES: (UNLESS SPECIFIED) 一般公差	SCALE 2 - 1	DESIGN UNITS <input checked="" type="checkbox"/> mm <input type="checkbox"/> INCH	DIMENSIONS: <input type="checkbox"/> mm <input type="checkbox"/> INCH <input checked="" type="checkbox"/> mm ONLY	SHT	REV
					1 OF 3		10 UNDER 未滿	±0.2	DRAWN BY & DATE T. Kizata '98/09/08	THIRD ANGLE PROJECTION	TITLE: CF CARD CONN. EJECT MECHANISM (TYPE I/II, NORMAL)	SHEET NO. 2
						FINISH 仕上げ	10 OVER 以上 30 UNDER 未滿	±0.25	CHECKED BY & DATE H. Saito '98/09/08			
						WIRE RANGE 適用線径範囲	30 OVER 以上	±0.3	APPROVED BY & DATE '98/09/08			
						INS. RANGE 被覆外径	ANGLE 角度	±3°	CAD FILENAME 55364003.S02	MATERIAL NO. —	DRAWING NO. SD-55364-003	SIZE B



ボタン詳細寸法
DETAIL OF BUTTON

DO NOT SCALE DRAWING

EC NO. DRWN: CHK: APPR:	EC NO. DRWN: CHK: APPR:	EC NO. DRWN: CHK: APPR:	EC NO. DRWN: CHK: APPR:	EC NO. DRWN: CHK: APPR:	REV DESCRIPTION	MATERIAL 材料	GENERAL TOLERANCES: (UNLESS SPECIFIED) 一般公差	SCALE 10-1	DESIGN UNITS <input checked="" type="checkbox"/> mm <input type="checkbox"/> INCH	DIMENSIONS: <input type="checkbox"/> mm <input type="checkbox"/> INCH <input checked="" type="checkbox"/> mm ONLY	THIRD ANGLE PROJECTION	SHT	REV	
						FINISH 仕上り		10 UNDER 未満	+0.2			DRAWN BY & DATE <i>T. Kizata</i> '98/09/08	TITLE: CF CARD CONN. EJECT MECHANISM (TYPE I/II, NORMAL)	REVISE ON CAD ONLY
						WIRE RANGE 適用範囲線影		10 OVER 以上	+0.25			CHECKED BY & DATE <i>H. Saito</i> '98/09/08		
						INS. RANGE 被覆外径		30 UNDER 未満	+0.3			APPROVED BY & DATE <i>H. Saito</i> '98/09/08		
						ANGLE 角度	+3°	CAD FILENAME 55364003.S03		MATERIAL NO. —	DRAWING NO. SD-55364-003	SHEET NO. 3	SIZE B	

THIS DRAWING CONTAINS INFORMATION THAT IS PROPRIETARY TO MOLEX INCORPORATED AND SHOULD NOT BE USED WITHOUT WRITTEN PERMISSION.

A
55364003.S03