



Chipsmall Limited consists of a professional team with an average of over 10 year of expertise in the distribution of electronic components. Based in Hongkong, we have already established firm and mutual-benefit business relationships with customers from,Europe,America and south Asia,supplying obsolete and hard-to-find components to meet their specific needs.

With the principle of “Quality Parts,Customers Priority,Honest Operation,and Considerate Service”,our business mainly focus on the distribution of electronic components. Line cards we deal with include Microchip,ALPS,ROHM,Xilinx,Pulse,ON,Everlight and Freescale. Main products comprise IC,Modules,Potentiometer,IC Socket,Relay,Connector.Our parts cover such applications as commercial,industrial, and automotives areas.

We are looking forward to setting up business relationship with you and hope to provide you with the best service and solution. Let us make a better world for our industry!



Contact us

Tel: +86-755-8981 8866 Fax: +86-755-8427 6832

Email & Skype: info@chipsmall.com Web: www.chipsmall.com

Address: A1208, Overseas Decoration Building, #122 Zhenhua RD., Futian, Shenzhen, China

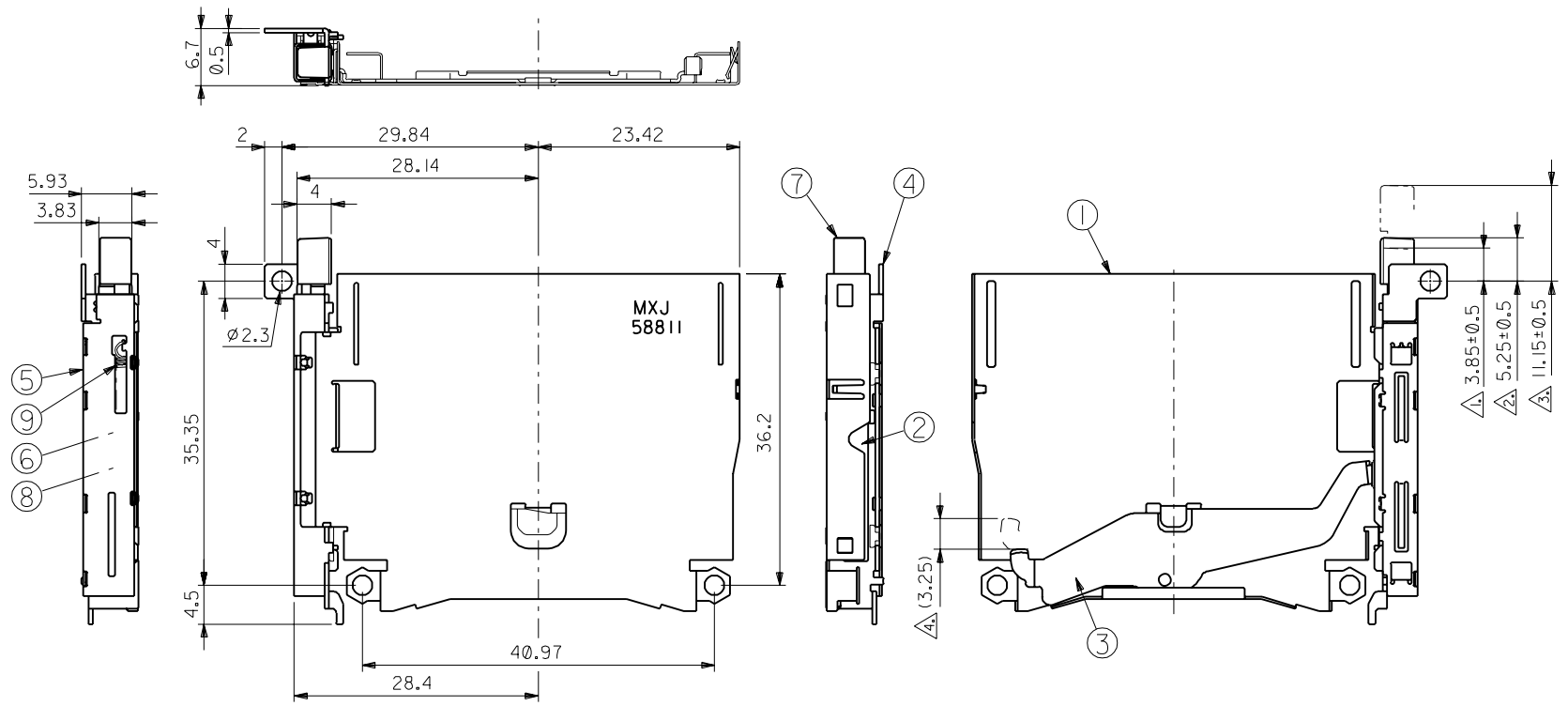


EC NO. DRWN: CHK: APPR:	EC NO. DRWN: CHK: APPR:	EC NO. DRWN: CHK: APPR:	EC NO. DRWN: CHK: APPR:
RELEASED EC NO. JD90381 DRWN: THIRATA '98/09/09 CHK: MSASAO '98/09/09 APPR: HIKESUGI '98/09/09			
REV 0 INS. RANGE 被覆外径			

MATERIAL 材料	SEE NOTES
FINISH 仕上り	SEE NOTES
WIRE RANGE 通所用線形種	— # —
INS. RANGE 被覆外径	— # —

GENERAL TOLERANCES: (UNLESS SPECIFIED) 一般公差	SCALE 2 - 1	DESIGN UNITS <input checked="" type="checkbox"/> mm <input type="checkbox"/> INCH	THIRD ANGLE PROJECTION
10 UNDER 未満	+0.2	DRAWN BY & DATE <i>T. Hirata</i> '98/09/09	TITLE: CF CARD CONN. EJECT MECHANISM EJECT ASS'Y
10 OVER 以上	+0.25	CHECKED BY & DATE <i>H. Saito</i> '98/09/09	APPROVED BY & DATE <i>H. Saito</i> '98/09/09
30 OVER 以上	+0.3	ANGLE 角度	+3°

MATERIAL NO. 55365-0011		DRAWING NO. SD-55365-002		SHEET NO. 1 OF 2
CAD FILENAME 55365002.S01		MATERIAL NO. 55365-0011		SIZE B
THIS DRAWING CONTAINS INFORMATION THAT IS PROPRIETARY TO MOLEX INCORPORATED AND SHOULD NOT BE USED WITHOUT WRITTEN PERMISSION.				

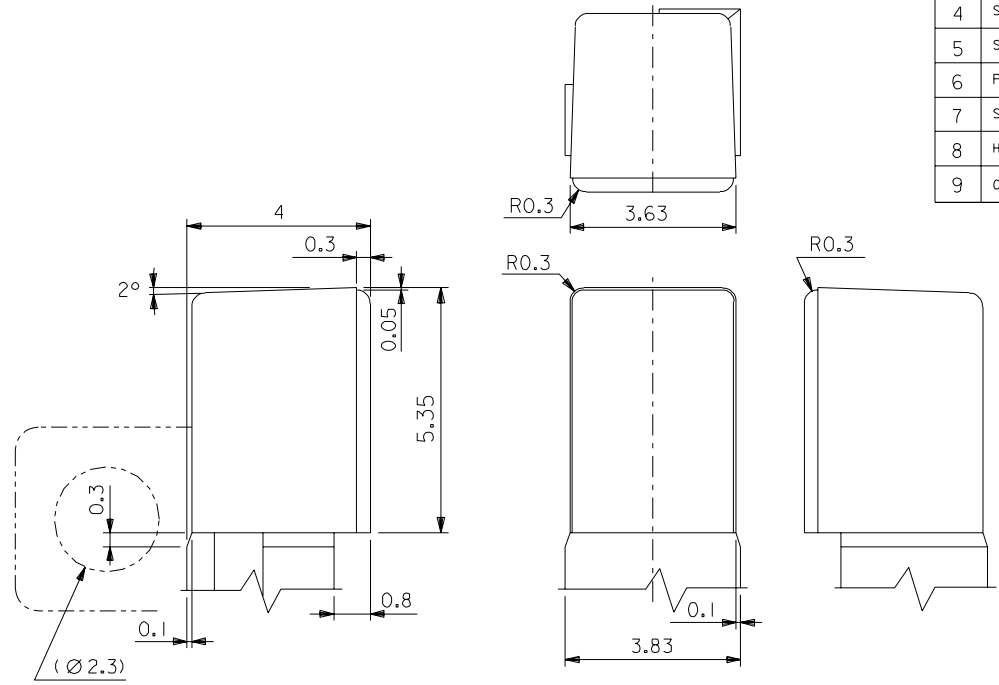


注) NOTES

- △1 ボタン・フルストローク位置。
BUTTON'S FULL STROKE POSITION.
- △2 ボタン収納時位置。
BUTTON'S IN POSITION.
- △3 ボタン突出時位置。
BUTTON'S OUT POSITION.
- △4 イジェクト時、カード飛び出し量は(3.25)mm。
IN EJECTING OPERATION, CARD OUT BY (3.25)mm.

DWG. NO. SD-55365-002

No.	品名 NAME	材料 MATERIAL	仕上り FINISH	個数 PIECE
1	METAL SHELL	ステンレス鋼 t 0.25 STAINLESS STEEL t 0.25	—	1
2	PUSH ROD	ステンレス鋼 t 0.5 STAINLESS STEEL t 0.5	—	1
3	LEVER	ステンレス鋼 t 0.4 STAINLESS STEEL t 0.4	—	1
4	SIDE PLATE	ステンレス鋼 t 0.5 STAINLESS STEEL t 0.5	—	1
5	SIDE COVER	ステンレス鋼 t 0.25 STAINLESS STEEL t 0.25	—	1
6	PIN PLATE	鋼 STEEL	フッ素樹脂コーティング FLUORINE RESIN COATING	1
7	SLIDER	ポリカーボネート UL94V-0 色 : 黒色 POLYCARBONATE UL94V-0 COLOR: BLACK	—	1
8	HEART CAM	ポリカーボネート UL94V-0 色 : 黒色 POLYCARBONATE UL94V-0 COLOR: BLACK	—	1
9	COIL SPRING	ステンレス鋼 φ 0.22 STAINLESS STEEL φ 0.22	—	1



ボタン詳細寸法
DETAIL OF BUTTON

DO NOT SCALE DRAWING

EC NO. DRWN: CHK: APPR:	EC NO. DRWN: CHK: APPR:	EC NO. DRWN: CHK: APPR:	EC NO. DRWN: CHK: APPR:	EC NO. DRWN: CHK: APPR:	EC NO. DRWN: CHK: APPR:	REV DESCRIPTION	MATERIAL 材料	GENERAL TOLERANCES: (UNLESS SPECIFIED) 一般公差	SCALE 2 - 1	DESIGN UNITS <input checked="" type="checkbox"/> mm <input type="checkbox"/> INCH	THIRD ANGLE PROJECTION	DIMENSIONS: <input type="checkbox"/> mm <input type="checkbox"/> INCH <input checked="" type="checkbox"/> mm ONLY	SHT REV
						SEE NOTES	SEE NOTES	10 UNDER 未満	+0.2	DRAWN BY & DATE T. Kizata '98/09/09	TITLE: CF CARD CONN. EJECT MECHANISM EJECT ASS'Y	REVISE ON CAD ONLY	
						FINISH 仕上り	SEE NOTES	10 OVER 以上	+0.25	CHECKED BY & DATE H. Saito '98/09/09			
						WIRE RANGE 適用線径範囲	— # —	30 OVER 以上	+0.3	APPROVED BY & DATE H. Saito '98/09/09			
					0	INS. RANGE 被覆外径	— # —	ANGLE 角度	+3°	CAD FILENAME 55365002.S02	MATERIAL NO. 55365-0011	DRAWING NO. SD-55365-002	SHEET NO. 2
THIS DRAWING CONTAINS INFORMATION THAT IS PROPRIETARY TO MOLEX INCORPORATED AND SHOULD NOT BE USED WITHOUT WRITTEN PERMISSION.											SIZE B		

55365002.S02