



Chipsmall Limited consists of a professional team with an average of over 10 year of expertise in the distribution of electronic components. Based in Hongkong, we have already established firm and mutual-benefit business relationships with customers from,Europe,America and south Asia,supplying obsolete and hard-to-find components to meet their specific needs.

With the principle of “Quality Parts,Customers Priority,Honest Operation,and Considerate Service”,our business mainly focus on the distribution of electronic components. Line cards we deal with include Microchip,ALPS,ROHM,Xilinx,Pulse,ON,Everlight and Freescale. Main products comprise IC,Modules,Potentiometer,IC Socket,Relay,Connector.Our parts cover such applications as commercial,industrial, and automotives areas.

We are looking forward to setting up business relationship with you and hope to provide you with the best service and solution. Let us make a better world for our industry!



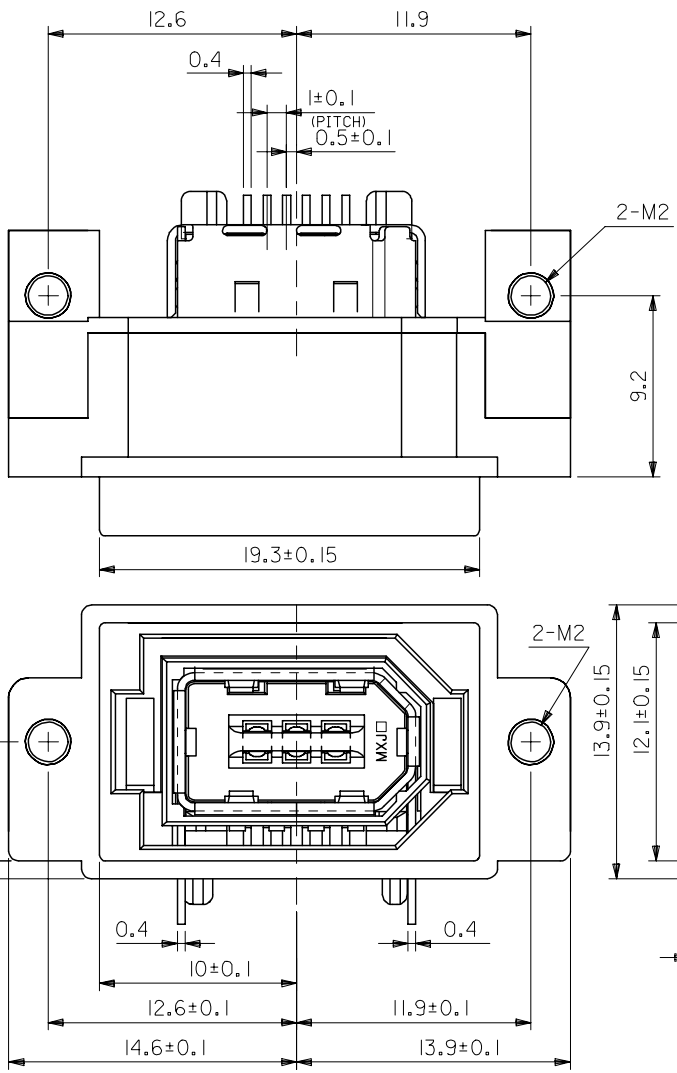
## Contact us

Tel: +86-755-8981 8866 Fax: +86-755-8427 6832

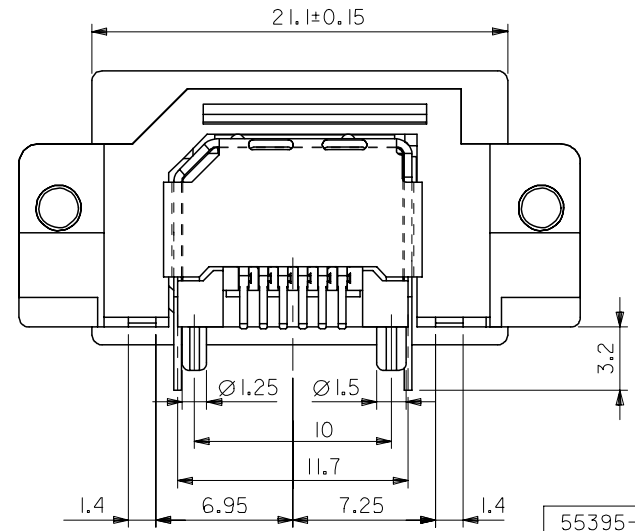
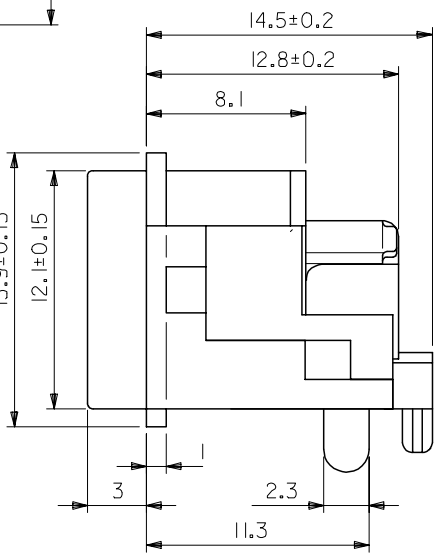
Email & Skype: info@chipsmall.com Web: www.chipsmall.com

Address: A1208, Overseas Decoration Building, #122 Zhenhua RD., Futian, Shenzhen, China





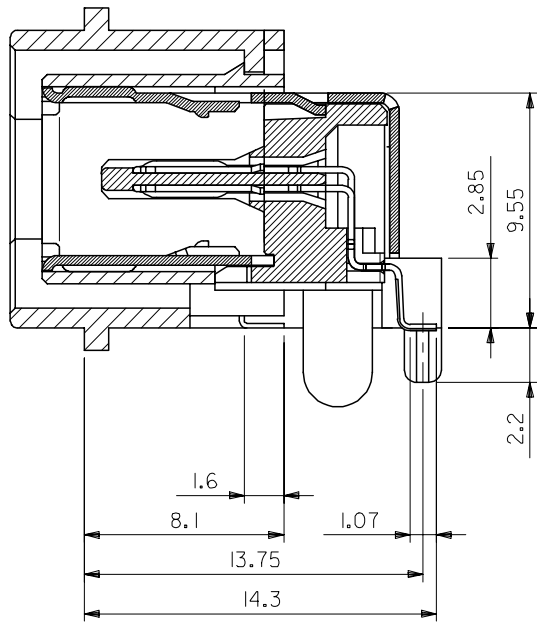
NOTE  
 1. MATERIAL  
 TERMINAL : BRASS (CONTACT : GOLD UNDER NICKEL)  
 (SOLDER TAIL : TIN UNDER NICKEL)  
 WAFER : 46NYLON  
 SHELL : PHOSPHOR BRONZE (TIN UNDER NICKEL)  
 MOLD CASE : 46NYLON  
 BRACKET : ZINC  
 NUT : STEEL  
 2. THIS PRODUCT IS LEAD FREE OF 55395-0611.



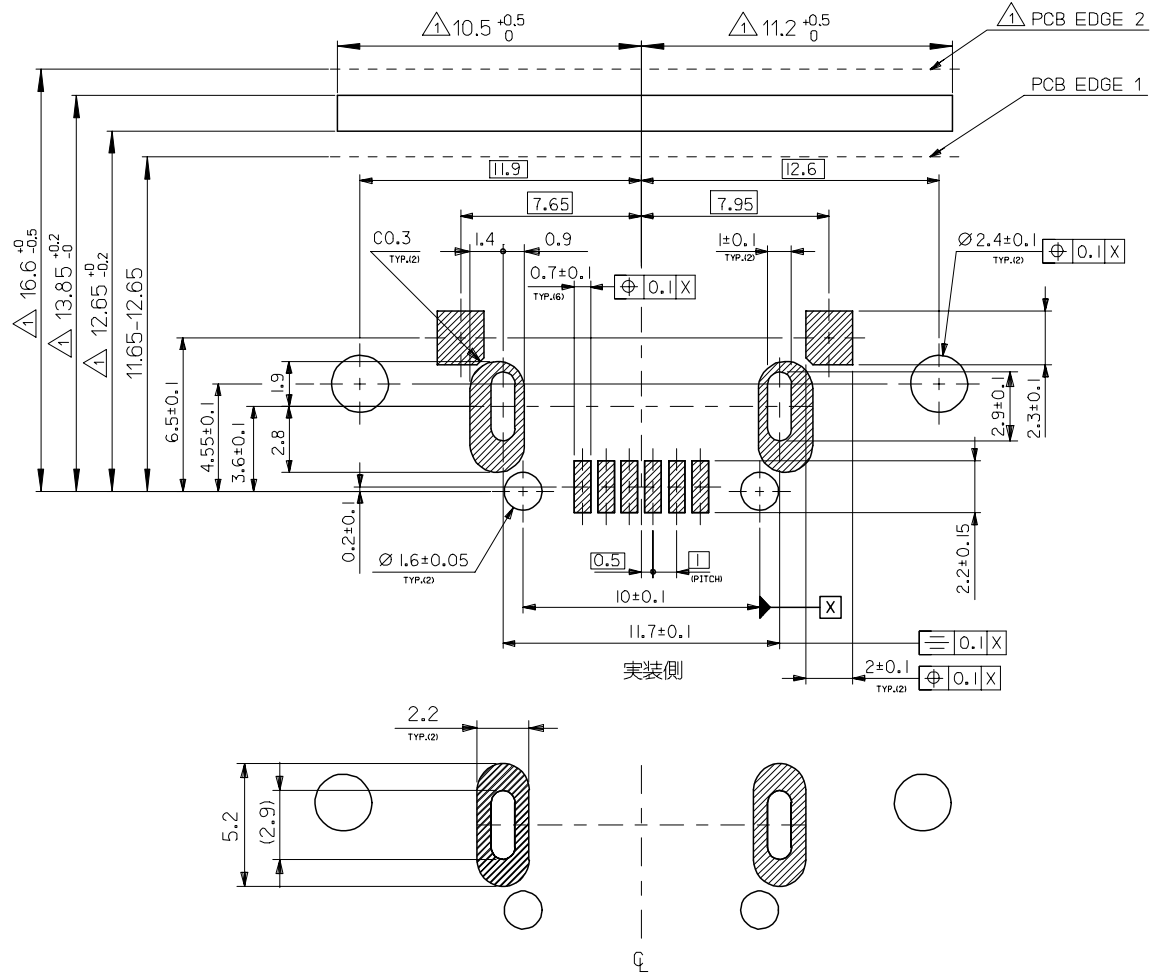
REVISED EC NO: J2006-0295 DRW: NESUZUKI 2005/07/26 CHK: KATOJO 2005/07/28 APPR: NUKITA 2005/08/02 A	GENERAL TOLERANCES (UNLESS SPECIFIED)		DIMENSION STYLE MM ONLY		MODEL NO. 55395-**19 MATERIAL NO. 55395-0619	
	10 UNDER ±0.2 10 OVER 30 UNDER ±0.25 30 OVER ±0.3	ANGULAR ±3 °	DRAFT WHERE APPLICABLE MUST REMAIN WITHIN DIMENSIONS	DRAWN BY HKAWABATA DATE 04/05/24 CHECKED BY KTOJO DATE 04/05/24 APPROVED BY MSASAO DATE 04/05/24	TITLE IEEE 1394 SOCKET WITH LOCK SOCKET ASSEMBLY -LEAD FREE-	SCALE --- DESIGN UNITS METRIC THIRD ANGLE PROJECTION
	SEE CHART			MOLEX INCORPORATED		SHEET NO. 1 OF 2
	THIS DRAWING CONTAINS INFORMATION THAT IS PROPRIETARY TO MOLEX INCORPORATED AND SHOULD NOT BE USED WITHOUT WRITTEN PERMISSION			DOCUMENT NO. SD-55395-004		MATERIAL NO. 55395-0619

**注記**

△ PCB EDGE2 を使用する場合、  
フランジ逃げ穴を開けること。



断面図



実装側

基板参考寸法

REVISED EC NO: J2006-0295 DRW: ESUZUKI CHK: KATOJO APPR: NUKITA	DESCRIPTION 2005/07/26 2005/07/28 2005/08/02	GENERAL TOLERANCES (UNLESS SPECIFIED)		DIMENSION STYLE		SCALE	DESIGN UNITS	MODEL NO.	55395-**-19	
				MM ONLY		---	METRIC	THIRD ANGLE PROJECTION		
		10 UNDER	± 0.2	DRAWN BY	DATE	TITLE				
		10 OVER 30 UNDER	± 0.25	HKAWABATA	04/05/24	IEEE 1394 SOCKET WITH LOCK SOCKET ASSEMBLY -LEAD FREE-				
		30 OVER	± 0.3	CHECKED BY	DATE	MOLEX MOLEX INCORPORATED				
ANGULAR	± 3 °	APPROVED BY	DATE	MATERIAL NO.		DOCUMENT NO.		SHEET NO.		
DRAFT WHERE APPLICABLE MUST REMAIN WITHIN DIMENSIONS		MSASAO	04/05/24	SEE CHART		SD-55395-004		2 OF 2		
SIZE		THIS DRAWING CONTAINS INFORMATION THAT IS PROPRIETARY TO MOLEX INCORPORATED AND SHOULD NOT BE USED WITHOUT WRITTEN PERMISSION								
A		A3								