



Chipsmall Limited consists of a professional team with an average of over 10 year of expertise in the distribution of electronic components. Based in Hongkong, we have already established firm and mutual-benefit business relationships with customers from,Europe,America and south Asia,supplying obsolete and hard-to-find components to meet their specific needs.

With the principle of “Quality Parts,Customers Priority,Honest Operation,and Considerate Service”,our business mainly focus on the distribution of electronic components. Line cards we deal with include Microchip,ALPS,ROHM,Xilinx,Pulse,ON,Everlight and Freescale. Main products comprise IC,Modules,Potentiometer,IC Socket,Relay,Connector.Our parts cover such applications as commercial,industrial, and automotives areas.

We are looking forward to setting up business relationship with you and hope to provide you with the best service and solution. Let us make a better world for our industry!



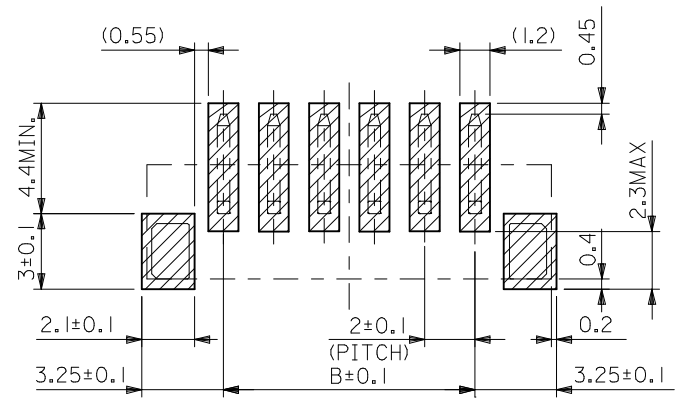
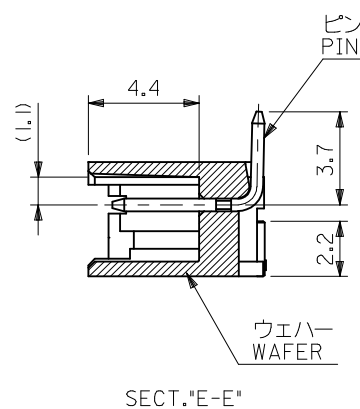
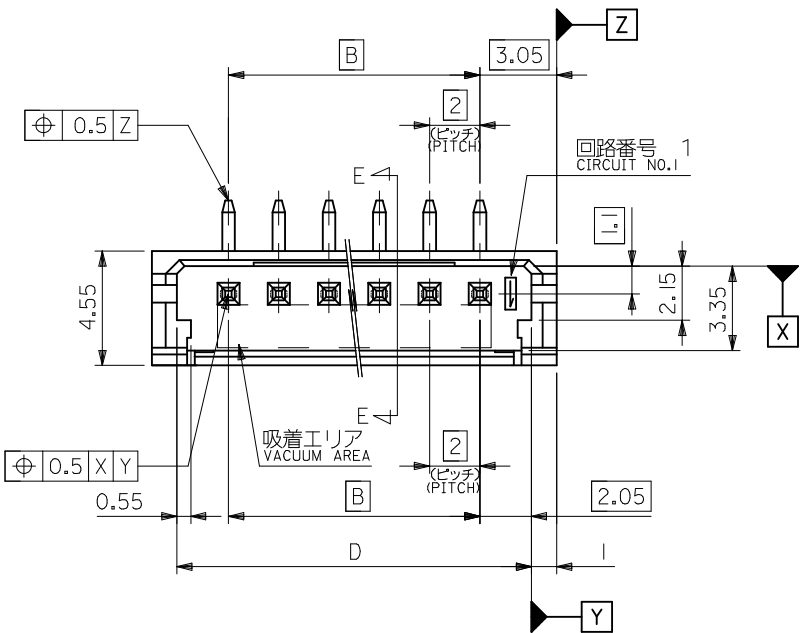
Contact us

Tel: +86-755-8981 8866 Fax: +86-755-8427 6832

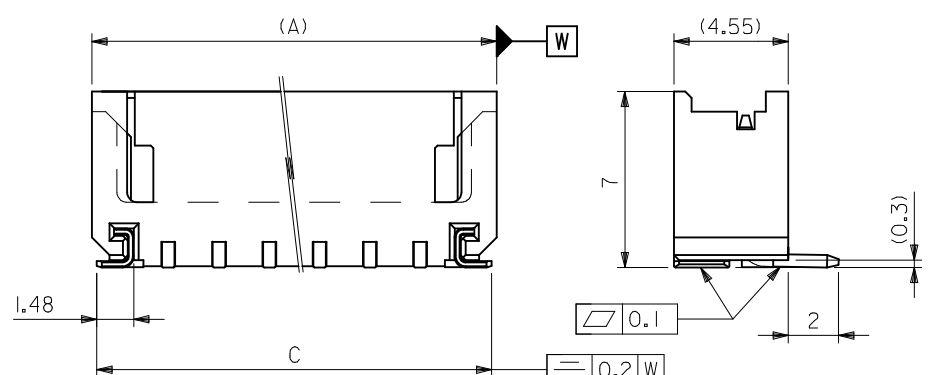
Email & Skype: info@chipsmall.com Web: www.chipsmall.com

Address: A1208, Overseas Decoration Building, #122 Zhenhua RD., Futian, Shenzhen, China





参考基板レイアウト
RECOMMENDED P.C.BOARD PATTERN DIM.(REF.)

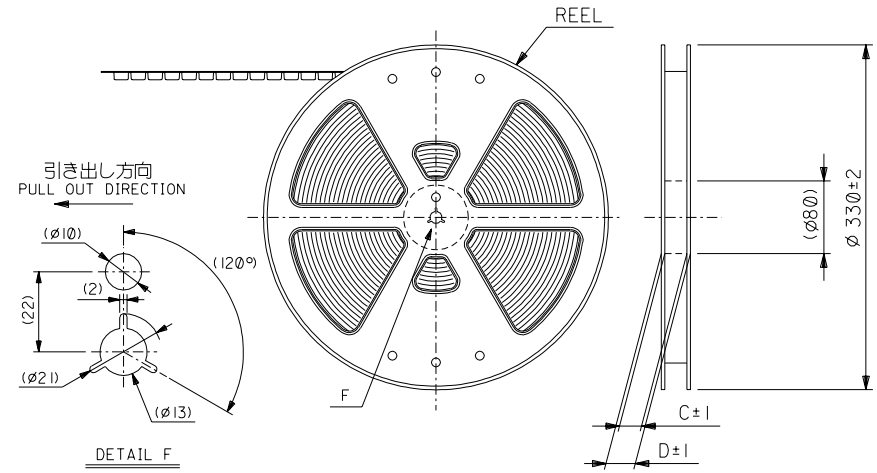


32.1	33.7	28	34.1	55460-1572	15
28.1	29.7	24	30.1	-1372	13
26.1	27.7	22	28.1	-1272	12
22.1	23.7	18	24.1	-1072	10
18.1	19.7	14	20.1	-0872	8
16.1	17.7	12	18.1	-0772	7
14.1	15.7	10	16.1	-0672	6
12.1	13.7	8	14.1	-0572	5
10.1	11.7	6	12.1	-0472	4
8.1	9.7	4	10.1	-0372	3
6.1	7.7	2	8.1	55460-0272	2
D	C	B	A	EMBOSSED PACKAGE オーダー番号 ORDER No.	極数 CKTS.

注記
NOTES

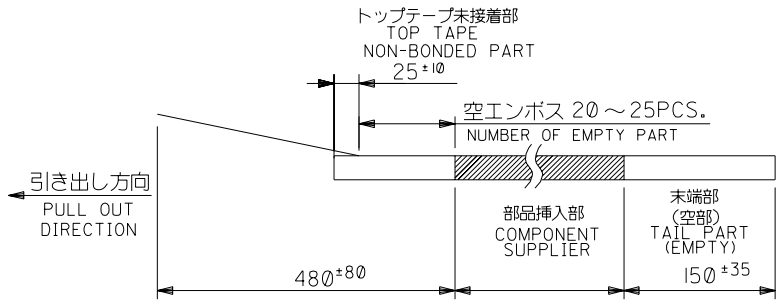
1. 材質
MATERIAL
ウエハー: PA (UL94V-0)
WAFER: PA (UL94V-0)
ピン: 黄銅 (口0.5), 銅下地錫メッキ
PIN: BRASS(0.5), TIN OVER COPPER PLATING
金具: リン青銅(+0.25), ニッケル下地錫メッキ
NAIL: PHOSPHOR BRONZE(+0.25), TIN OVER NICKEL PLATING
2. 嵌合相手: 51090,52484 シリーズ
MATE WITH 51090,52484 SERIES.
3. 本製品は 55460-***10 の鉛フリー品である。
THIS PRODUCT IS LEAD FREE OF 55460-***10.
4. ELV AND RoHS COMPLIANT.

REVISED EC NO: J2013-0327 DRINKMATSUYAMA 2012/09/13 CHKD:KASAKAWA 2012/09/19 APPR:YOITO 2012/09/20	GENERAL TOLERANCES (UNLESS SPECIFIED)		DIMENSION STYLE MM ONLY	SCALE ---	DESIGN UNITS METRIC	THIRD ANGLE PROJECTION
	10 UNDER	±0.2	DRAWN BY T.UENO	DATE 2004/03/29	TITLE 2.0 W/B CONN WAFER ASSY FOR SMT ST molex	
	10 OVER 30 UNDER	±0.25	CHECKED BY M.SASAO	DATE 2004/03/29		
	30 OVER	±0.3	APPROVED BY YOITO	DATE 2012/09/20		
ANGULAR ±3° DRAFT WHERE APPLICABLE MUST REMAIN WITHIN DIMENSIONS		MATERIAL NO. SEE TABLE	DOCUMENT NO. SD-55460-010	SHEET NO. 1 OF 1		
SIZE A3		THIS DRAWING CONTAINS INFORMATION THAT IS PROPRIETARY TO MOLEX INCORPORATED AND SHOULD NOT BE USED WITHOUT WRITTEN PERMISSION				

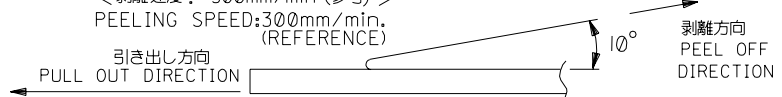


NOTES

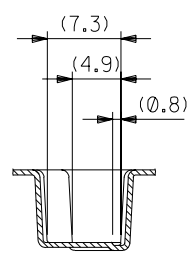
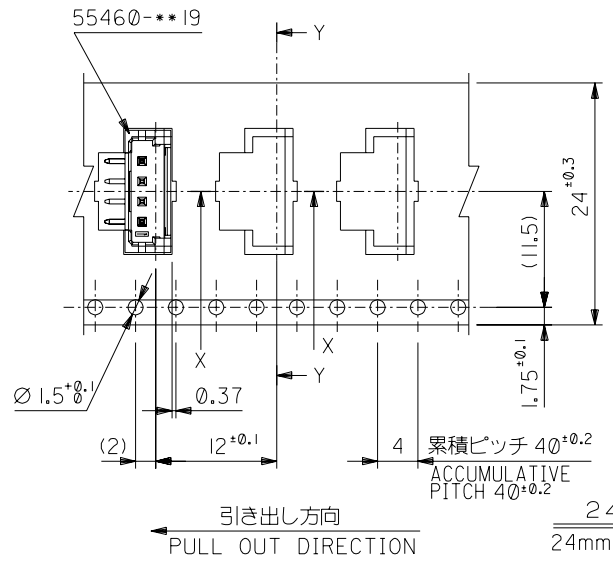
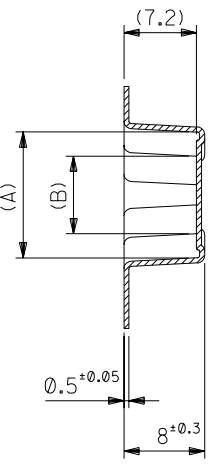
- 梱包数量：900個/リール
NUMBER OF CONNECTOR:900PCS/REEL
- リードテープ長さ
LEAD TAPE LENGTH



- トップテープの剥離強度：0.1N～1.3N(10gf～130gf) (剥離方向は下図参照)
PEELING OFF FORCE OF TOP TAPE: 0.1N～1.3N(10gf～130gf) (PEELING DIRECTION IS SHOWN IN FOLLOWING FIG.)
<剥離速度：300mm/min (参考)>
PEELING SPEED:300mm/min. (REFERENCE)



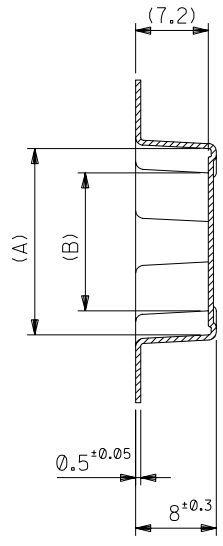
- 55460-**19 の詳細寸法については図面 SD-55460-010 を参照下さい。
RE DETAILED DIMENSIONS,SEE SD-55460-010
- 材料 (MATERIAL)
キャリアテープ(CARRIER TAPE):ポリプロピレン(POLYPROPYLENE)
トップテープ (TOP TAPE): PET ,PE ,PEF
リール (REEL) : ポリスチレン (PS) <リサイクル材を含む>
POLYSTYRENE(PS)<RECYCLE MATERIAL CONTAINED>
- 本製品は 55460- **90 の鉛フリー品である。
THIS PRODUCT IS LEAD FREE OF 55460-**90.



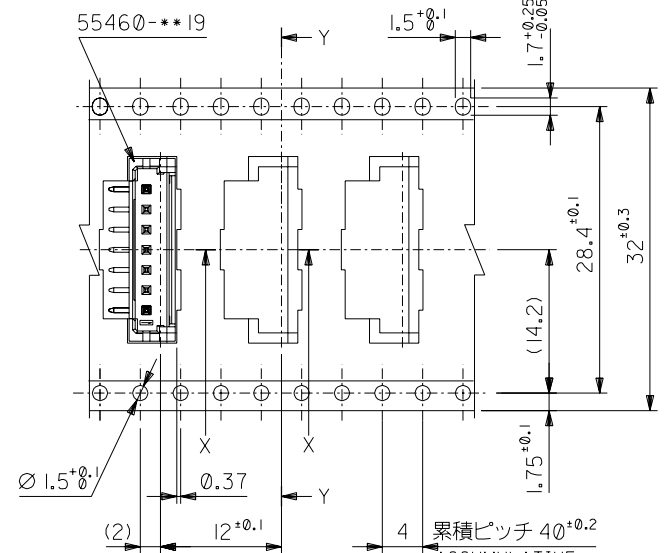
24mm幅キャリアテープ
24mm WIDTH CARRIER TAPE

24	29.4	25.4	11.7	16.45	55460-0672	6		
			9.7	14.45	55460-0572	5		
			7.7	12.45	55460-0472	4		
			5.7	10.45	55460-0372	3		
			3.7	8.45	55460-0272	2		
キャリアテープ幅			D	C	B	A	MATERIAL NO.	種数 CKTS.

EC NO. DRWN: CH'K: APPR:		EC NO. DRWN: CH'K: APPR:		EC NO. DRWN: CH'K: APPR:		EC NO. DRWN: CH'K: APPR:		新規格作成 RELEASED EC NO. J2004-3410 DRWN: T.UENO '04/03/29 CH'K: M.SASAO '04/03/29 APPR: M.SASAO '04/03/29		MATERIAL 材料 注記参照 SEE NOTES		GENERAL TOLERANCES: (UNLESS SPECIFIED) 一般公差		SCALE DESIGN UNITS mm □ INCH		MODEL NO. THIRD ANGLE PROJECTION		DIMENSIONS: mm □ INCH □ mm □ INCH □ mm ONLY		SHT REV	
								WIRE RANGE 適用電線範囲		FINISH 仕上げ		10 UNDER 未満 ±0.2		DRAWN BY & DATE T.UENO '04/03/29		TITLE: 2.0 W+B Conn WAFER Assy Embstp pkg -LEAD FREE-					
								INS. RANGE 被覆外径		//		10 OVER 30 UNDER 未満 ±0.25		CHECKED BY & DATE M.SASAO '04/03/29		MOLEX MOLEX INCORPORATED					
										//		30 OVER 以上 ±0.3		APPROVED BY & DATE M.SASAO '04/03/29		CAD FILENAME SD-55460-011,S01		DRAWING NO. SD-55460-011		SHEET NO. 1 OF 3	
										//		ANGLE 角度 ±3°		THIS DRAWING CONTAINS INFORMATION THAT IS PROPRIETARY TO MOLEX INCORPORATED AND SHOULD NOT BE USED WITHOUT WRITTEN PERMISSION.						SIZE B	

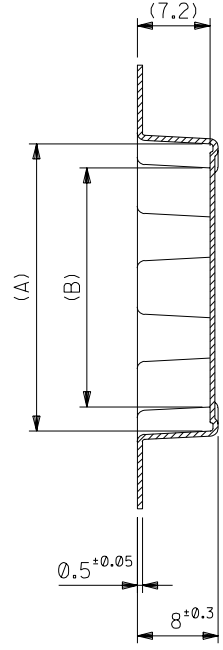


SECT. Y-Y

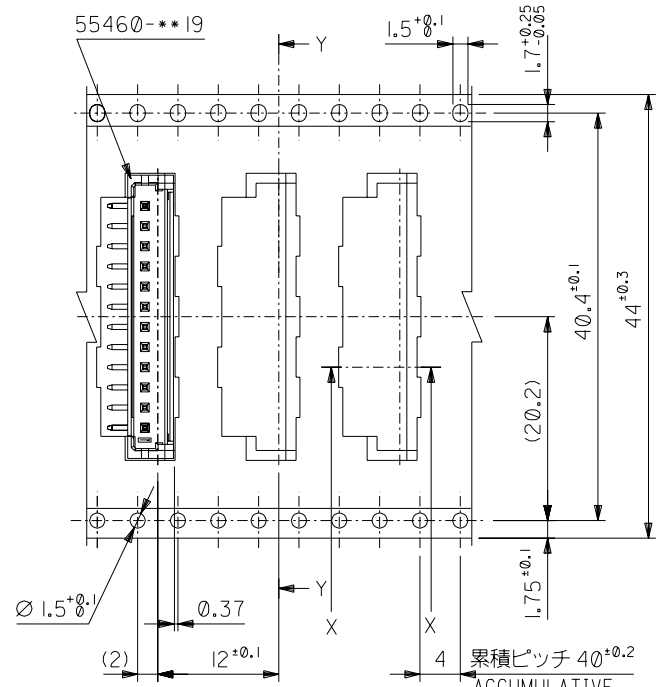


引き出し方向
PULL OUT DIRECTION

32mm幅キャリアテープ
32mm WIDTH CARRIER TAPE

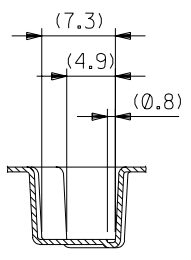


SECT. Y-Y



引き出し方向
PULL OUT DIRECTION

44mm幅キャリアテープ
44mm WIDTH CARRIER TAPE



SECT. X-X

44	49.4	45.4	25.7	30.45	55460-1372	13
			23.7	28.45	55460-1272	12
32	37.4	33.4	19.7	24.45	55460-1072	10
			15.7	20.45	55460-0872	8
			13.7	18.45	55460-0772	7
キャリアテープ幅	D	C	B	A	MATERIAL NO.	種数 CKTS.

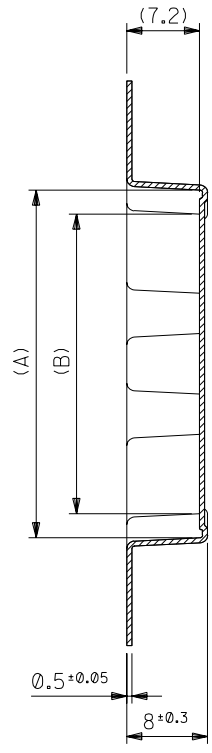
DO NOT SCALE DRAWING

EC NO. DRWN: CHK: APPR:	EC NO. DRWN: CHK: APPR:	EC NO. DRWN: CHK: APPR:	EC NO. DRWN: CHK: APPR:	EC NO. DRWN: CHK: APPR:	EC NO. DRWN: CHK: APPR:
					SEE SHEET 1 OF 3

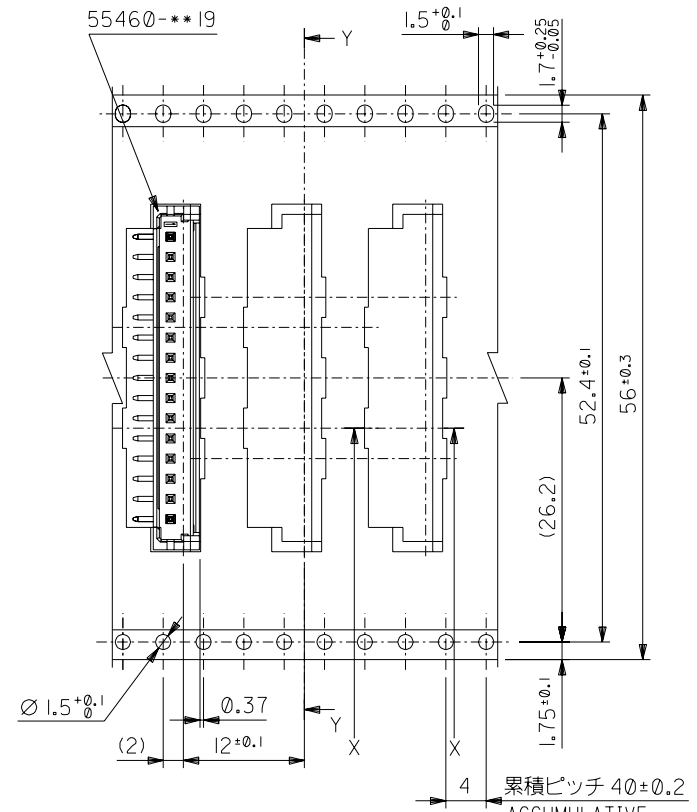
DESCRIPTION	MATERIAL 材料	GENERAL TOLERANCES: (UNLESS SPECIFIED) 一般公差
FINISH 仕上げ	SHEET 1 OF 3参照 SEE SHEET 1 OF 3	10 UNDER 未滿 ±0.2
WIRE RANGE 適用電線範囲	//	10 OVER 30 UNDER 未滿 ±0.25
INS. RANGE 被覆外径	//	30 OVER 以上 ±0.3
REV		ANGLE 角度 ±3°

SCALE	DESIGN UNITS <input checked="" type="checkbox"/> mm <input type="checkbox"/> INCH	THIRD ANGLE PROJECTION	DIMENSIONS: <input type="checkbox"/> mm <input type="checkbox"/> INCH <input checked="" type="checkbox"/> mm ONLY	SHT	REV
DRAWN BY & DATE T.UENO '04/03/29	TITLE: 2.0 WtB Conn WAFER Assy Embstp pkg -LEAD FREE-				
CHECKED BY & DATE M.SASAO '04/03/29	MOLEX INCORPORATED				
APPROVED BY & DATE M.SASAO '04/03/29	CAD FILENAME SD-55460-011.S02	MATERIAL NO. SEE CHART	DRAWING NO. SD-55460-011	SHEET NO. 2 OF 3	
THIS DRAWING CONTAINS INFORMATION THAT IS PROPRIETARY TO MOLEX INCORPORATED AND SHOULD NOT BE USED WITHOUT WRITTEN PERMISSION.					SIZE B

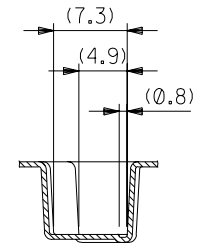
DWG. NO.
SD-55460-011



SECT. Y-Y



引き出し方向
PULL OUT DIRECTION
56mm幅キャリアテープ
56mm WIDTH CARRIER TAPE



SECT. X-X

56	61.4	57.4	29.7	34.45	55460-1572	15
キャリアテープ幅	D	C	B	A	MATERIAL NO.	種数 CKTS.

55460-***72	MODEL NO.	DIMENSIONS:	SHT	REV
<input checked="" type="checkbox"/> mm	<input type="checkbox"/> INCH	<input type="checkbox"/> mm ONLY		REVISE ON CAD ONLY

SCALE	DESIGN UNITS	THIRD ANGLE PROJECTION	TITLE:		
1:1	<input checked="" type="checkbox"/> mm <input type="checkbox"/> INCH	<input checked="" type="checkbox"/> THIRD ANGLE	2.0 WtB Conn WAFER Assy Embstp pkg -LEAD FREE-		
DRAWN BY & DATE T.UENO '04/03/29		APPROVED BY & DATE M.SASAO '04/03/29			
CHECKED BY & DATE M.SASAO '04/03/29		MATERIAL NO. SEE CHART			
APPROVED BY & DATE M.SASAO '04/03/29		DRAWING NO.		SHEET NO.	
CAD FILENAME SD-55460-011.S03		SD-55460-011		3 OF 3	

EC NO.	EC NO.	EC NO.	EC NO.	EC NO.	EC NO.
DRWN:	DRWN:	DRWN:	DRWN:	DRWN:	DRWN:
CHK:	CHK:	CHK:	CHK:	CHK:	CHK:
APPR:	APPR:	APPR:	APPR:	APPR:	APPR:
SEE SHEET 1 OF 3					

MATERIAL 材料	SHEET 1 OF 3 参照 SEE SHEET 1 OF 3	
FINISH 仕上げ	//	
WIRE RANGE 適用電線範囲	//	
INS. RANGE 被覆外径	//	

GENERAL TOLERANCES: (UNLESS SPECIFIED) 一般公差	
10 UNDER 未満	±0.2
10 OVER 以上 30 UNDER 未満	±0.25
30 OVER 以上	±0.3
ANGLE 角度	±3°

THIS DRAWING CONTAINS INFORMATION THAT IS PROPRIETARY TO MOLEX INCORPORATED AND SHOULD NOT BE USED WITHOUT WRITTEN PERMISSION. SIZE B

DO NOT SCALE DRAWING