



Chipsmall Limited consists of a professional team with an average of over 10 year of expertise in the distribution of electronic components. Based in Hongkong, we have already established firm and mutual-benefit business relationships with customers from,Europe,America and south Asia,supplying obsolete and hard-to-find components to meet their specific needs.

With the principle of “Quality Parts,Customers Priority,Honest Operation,and Considerate Service”,our business mainly focus on the distribution of electronic components. Line cards we deal with include Microchip,ALPS,ROHM,Xilinx,Pulse,ON,Everlight and Freescale. Main products comprise IC,Modules,Potentiometer,IC Socket,Relay,Connector.Our parts cover such applications as commercial,industrial, and automotives areas.

We are looking forward to setting up business relationship with you and hope to provide you with the best service and solution. Let us make a better world for our industry!



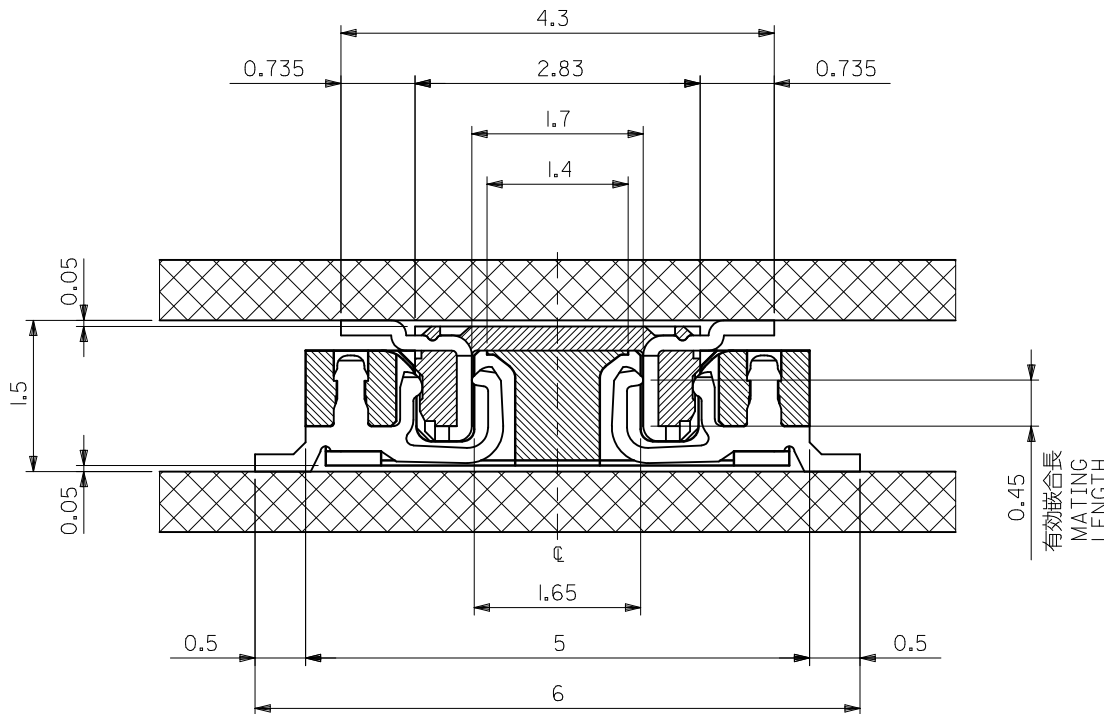
## Contact us

Tel: +86-755-8981 8866 Fax: +86-755-8427 6832

Email & Skype: info@chipsmall.com Web: www.chipsmall.com

Address: A1208, Overseas Decoration Building, #122 Zhenhua RD., Futian, Shenzhen, China



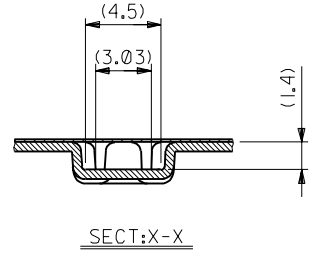
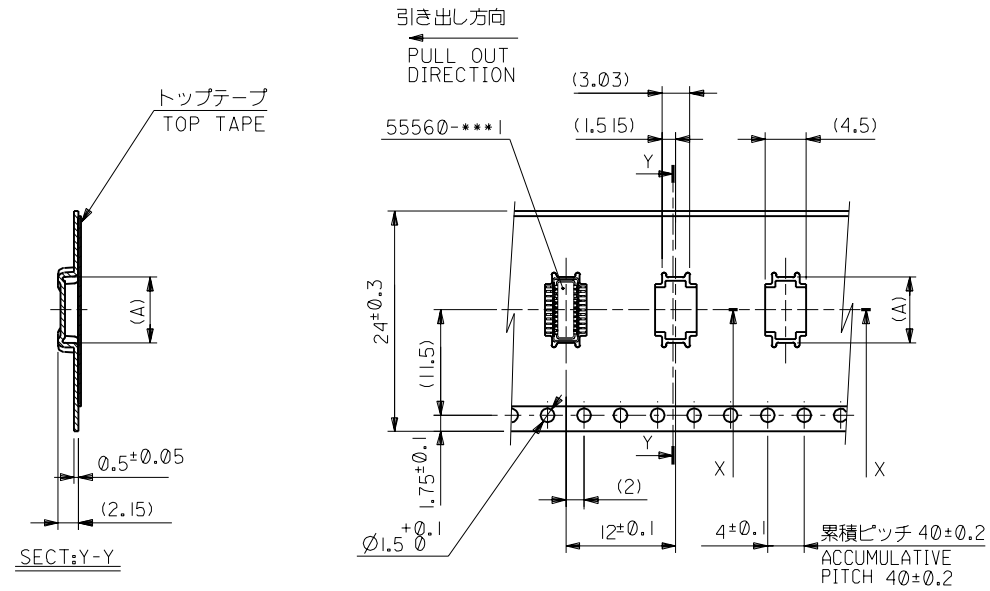


嵌合断面図 (参考)  
MATED DRAWING (REF.)

注記 NOTES:

1. 使用材料 MATERIAL  
 ウェハー : 液晶ポリマー ガラス充填 ,UL94V-0(黒)  
 WAFER : LIQUID CRYSTAL POLYMER  
 (GLASS FILLED), UL94V-0 (COLOR:BLACK)  
 ピン : 黄銅 (t=0.15)  
 PIN : BRASS(t=0.15)
2. メッキ仕様 PLATING  
 金メッキ 0.25 MICROMETER MINIMUM (コンタクト部)  
 GOLD 0.25 MICROMETER MINIMUM (CONTACT AREA).  
 金メッキ 0.4 MICROMETER MAXIMUM (テール部)  
 GOLD 0.4 MICROMETER MAXIMUM (TAIL AREA).  
 下地メッキ : ニッケルメッキ 1.5 MICROMETER MINIMUM  
 UNDER PLATING : NICKEL 1.5 MICROMETER MINIMUM.
3. (全極数/2) = 偶数の場合に適用。  
 APPLY FOR (CIRCUIT/2)=EVEN.
4. 嵌合相手 : 54722 シリーズ, 54037 シリーズ  
 MATE WITH : 54722 SERIES, 54037 SERIES.
5. テール平坦度は、0.1 MAXIMUM  
 TAIL COPLANARITY TO BE 0.1 MAXIMUM.

|  |   |  |        |  |                    |  |                              |                     |
|--|---|--|--------|--|--------------------|--|------------------------------|---------------------|
| REVISED<br>EC NO: J2012-0135<br>DRWN: YON002<br>CHKD: TASAKAWA<br>APPR: MSASAO | DESCRIPTION<br>2011/07/01<br>2011/07/01<br>2011/07/29 | GENERAL TOLERANCES (UNLESS SPECIFIED)                                      |        | DIMENSION STYLE<br>MM ONLY   | SCALE<br>---       | DESIGN UNITS<br>METRIC                           | THIRD ANGLE PROJECTION       |                     |
|  |   | 10 UNDER   | ± 0.20 | DRAWN BY<br>SAIHARA  | DATE<br>2000/10/05 | TITLE<br>0.5 B-T-O-B CONN<br>PLUG ASSY (HGT=1.5) |                              |                     |
|  |   | 10 OVER 30 UNDER   | ± 0.25 | CHECKED BY<br>MSASAO   | DATE<br>2003/03/31 | MOLEX INCORPORATED                               |                              |                     |
|  |   | 30 OVER  | ± 0.30 | APPROVED BY<br>MSASAO  | DATE<br>2003/03/31 | MATERIAL NO.<br>SEE SHEET 1                      | DOCUMENT NO.<br>SD-55560-006 | SHEET NO.<br>2 OF 2 |
| K  | REV   | ANGULAR ±3 °<br>DRAFT WHERE APPLICABLE<br>MUST REMAIN<br>WITHIN DIMENSIONS |        | THIS DRAWING CONTAINS INFORMATION THAT IS PROPRIETARY TO MOLEX<br>INCORPORATED AND SHOULD NOT BE USED WITHOUT WRITTEN PERMISSION |                    |  |                              |                     |



24mm幅キャリアテープ  
24mm WIDTH CARRIER TAPE

|                                |            |      |             |               |
|--------------------------------|------------|------|-------------|---------------|
| 24                             | 25.5       | 7.15 | 55560-0228  | 22            |
| キャリアテープ幅<br>CARRIER TAPE WIDTH |            | B    | (A)         | 種数<br>CIRCUIT |
| MODEL NO.                      | 55560-***8 |      | DIMENSIONS: | SHT   REV     |

|  |   |  |  |   |                       |              |                    |                    |   |
|--|---|--|--|---|-----------------------|--------------|--------------------|--------------------|---|
| DO NOT SCALE DRAWING   | REVISED   | PROPOSED   | MATERIAL                                 | GENERAL TOLERANCES:<br>(UNLESS SPECIFIED)<br>一般公差 | SCALE                 | DESIGN UNITS | TITLE:             |                    |   |
|  | EG4NO.<br>DRWN:<br>CHK:<br>APPR:  | EG3NO.<br>DRWN:<br>CHK:<br>APPR:   | EG2NO.<br>DRWN:<br>CHK:<br>APPR:         |   | FINISH                | 10 UNDER     |                    | mm                 | 0.5 B-To-B Conn PLUG Assy<br>(Hgt=1.5) Embstp Pkg |
|  | EG1NO. JC2001-0604<br>DRWN: R.SHINA '01/01/30<br>CHK: T.IITO<br>APPR: M.FUKUSHIMA | EG0NO. JC2001-0402<br>DRWN: S.AIHARA '00/11/28<br>CHK: T.IITO<br>APPR: M.FUKUSHIMA | SHEET 1 OF 2 参照<br>REFER TO SHEET 1 OF 2 |   | 10 OVER               | INCH         |                    |                    |   |
|  | A   | 0  | WIRE RANGE                               |   | 30 OVER               | mm ONLY      |                    | APPROVED BY & DATE |   |
| INS. RANGE   | ANGLE   | 3*   | APPROVED BY & DATE                       | PROJECTION  | M.FUKUSHIMA '01/01/30 |              |                    |                    |   |
| 8  | 7   | 6  | 5  | 4   | 3                     | 2            | MOLEX INCORPORATED |                    |   |
| CAD FILENAME   |   |  |  |   |                       | MATERIAL NO. | DRAWING NO.        | SHEET NO.          |   |
| 55560008.S03   |   |  |  |   |                       | SEE CHART    | SD-55560-008       | 3 OF 3             |   |
| THIS DRAWING CONTAINS INFORMATION THAT IS PROPRIETARY TO MOLEX INCORPORATED AND SHOULD NOT BE USED WITHOUT WRITTEN PERMISSION. |   |  |  |   |                       |              |                    | SIZE<br>B          |   |