



Chipsmall Limited consists of a professional team with an average of over 10 year of expertise in the distribution of electronic components. Based in Hongkong, we have already established firm and mutual-benefit business relationships with customers from,Europe,America and south Asia,supplying obsolete and hard-to-find components to meet their specific needs.

With the principle of “Quality Parts,Customers Priority,Honest Operation,and Considerate Service”,our business mainly focus on the distribution of electronic components. Line cards we deal with include Microchip,ALPS,ROHM,Xilinx,Pulse,ON,Everlight and Freescale. Main products comprise IC,Modules,Potentiometer,IC Socket,Relay,Connector.Our parts cover such applications as commercial,industrial, and automotives areas.

We are looking forward to setting up business relationship with you and hope to provide you with the best service and solution. Let us make a better world for our industry!



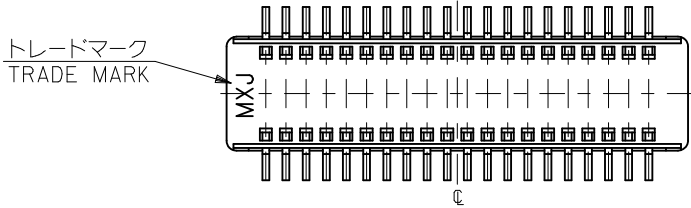
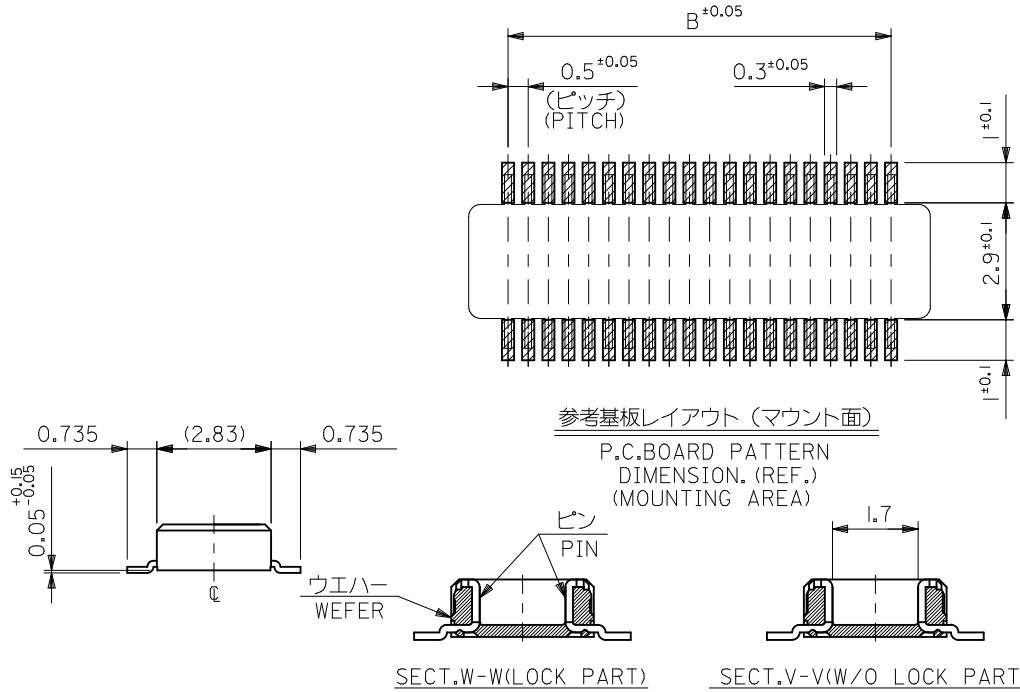
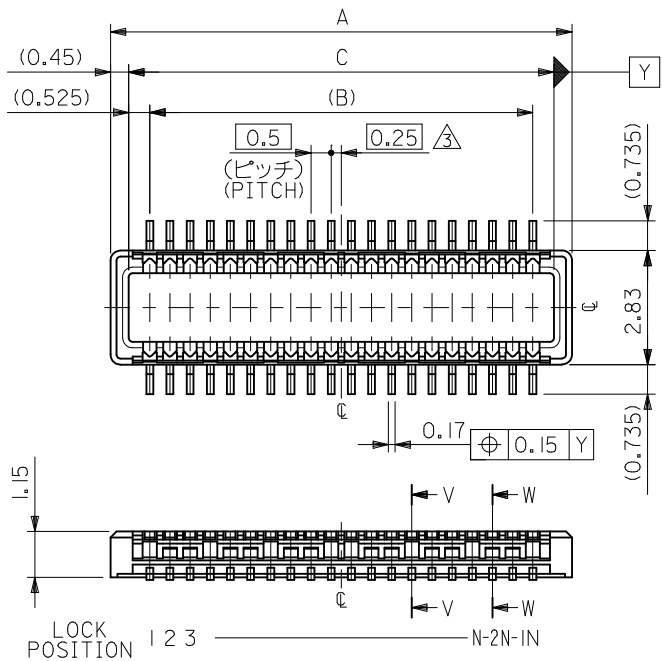
Contact us

Tel: +86-755-8981 8866 Fax: +86-755-8427 6832

Email & Skype: info@chipsmall.com Web: www.chipsmall.com

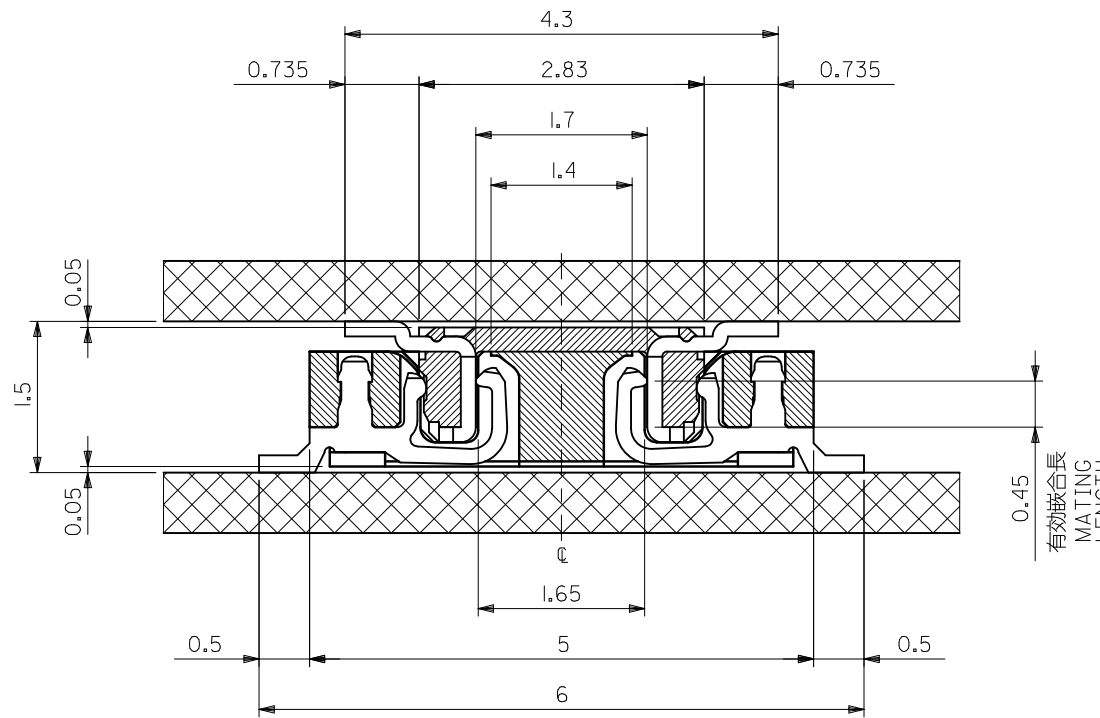
Address: A1208, Overseas Decoration Building, #122 Zhenhua RD., Futian, Shenzhen, China





NON	20.55	19.5	21.45	55560-0801	80
10,21	15.55	14.5	16.45	-0601	60
2,4,8,10,16,18,22,24	13.05	12.0	13.95	-0501	50
2,3,5,6,8,9,12,13,15,16,18,19	10.55	9.5	11.45	-0401	40
2,3,4,5,7,8,9,10,11,13,14,15,16	9.05	8.0	9.95	-0341	34
ALL	8.05	7.0	8.95	-0301	30
	6.55	5.5	7.45	-0241	24
	6.05	5.0	6.95	-0221	22
	5.55	4.5	6.45	-0201	20
4.55	3.5	5.45	55560-0161	16	
LOCK POSITION	C	B	A	MATERIAL NO.	極数 CIRCUIT

REVISED EC NO: J2012-0135 DRWN: YON002 CHKD: TASAKAWA APPR: MSASAO 2011/07/01 2011/07/01 2011/07/29	GENERAL TOLERANCES (UNLESS SPECIFIED)		DIMENSION STYLE MM ONLY		SCALE ---	DESIGN UNITS METRIC	THIRD ANGLE PROJECTION
	10 UNDER	±0.20	DRAWN BY SAIHARA	DATE 2003/03/31	TITLE 0.5 B-TO-B CONN PLUG ASSY (HGT=1.5)		
	10 OVER 30 UNDER	±0.25	CHECKED BY MSASAO	DATE 2003/03/31	MOLEX INCORPORATED		
	30 OVER	±0.30	APPROVED BY MSASAO	DATE 2003/03/31	MATERIAL NO. SEE CHART	DOCUMENT NO. SD-55560-006	SHEET NO. 1 OF 2
	ANGULAR ±3°	THIS DRAWING CONTAINS INFORMATION THAT IS PROPRIETARY TO MOLEX INCORPORATED AND SHOULD NOT BE USED WITHOUT WRITTEN PERMISSION					
	DRAFT WHERE APPLICABLE MUST REMAIN WITHIN DIMENSIONS						

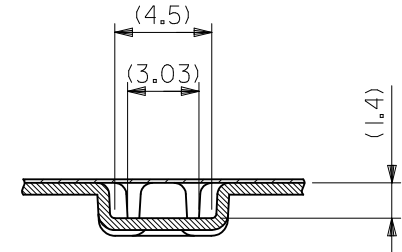
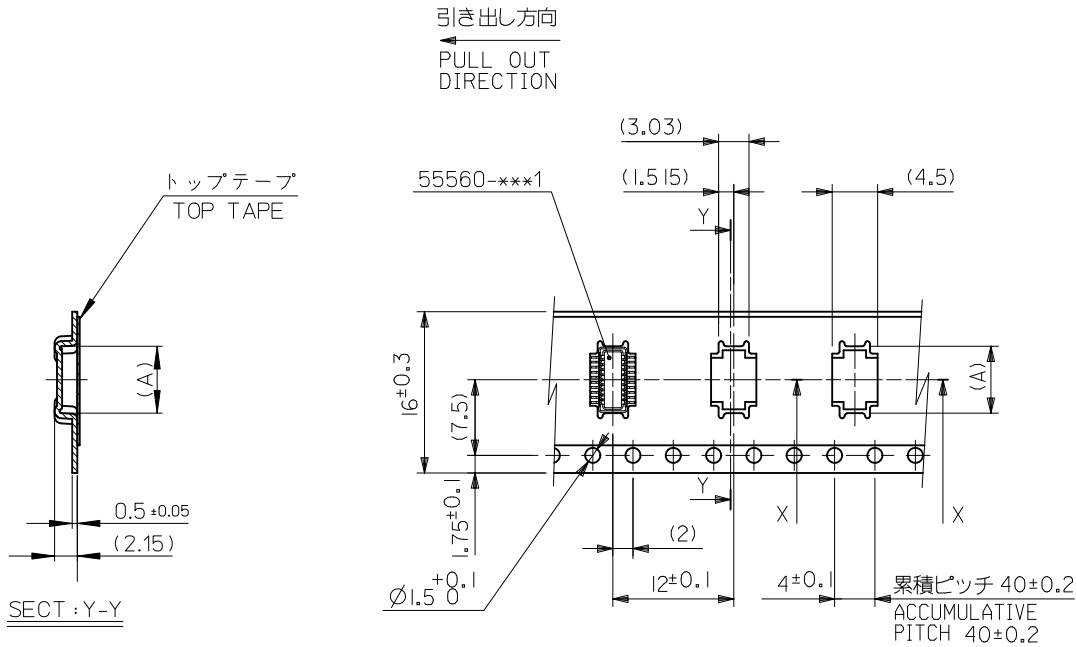


注記 NOTES:

1. 使用材料 MATERIAL
 ウェハー: 液晶ポリマー ガラス充填 ,UL94V-0(黒)
 WAFER :LIQUID CRYSTAL POLYMER
 (GLASS FILLED), UL94V-0 (COLOR:BLACK)
 ピン :黄銅 (t=0.15)
 PIN :BRASS(t=0.15)
2. メッキ仕様 PLATING
 金メッキ 0.25 MICROMETER MINIMUM (コンタクト部)
 GOLD 0.25 MICROMETER MINIMUM (CONTACT AREA).
 金メッキ 0.4 MICROMETER MAXIMUM (テール部)
 GOLD 0.4 MICROMETER MAXIMUM (TAIL AREA).
 下地メッキ: ニッケルメッキ 1.5 MICROMETER MINIMUM
 UNDER PLATING : NICKEL 1.5 MICROMETER MINIMUM.
3. (全極数/2) = 偶数の場合に適用。
 APPLY FOR (CIRCUIT/2)=EVEN.
4. 嵌合相手: 54722 シリーズ, 54037 シリーズ
 MATE WITH : 54722 SERIES, 54037 SERIES.
5. テール平坦度は、0.1 MAXIMUM
 TAIL COPLANARITY TO BE 0.1 MAXIMUM.

嵌合断面図 (参考)
MATED DRAWING (REF.)

REVISED EC NO: J2012-0135 DRWN: YON002 CHKD: TASAKAWA APPR: MSASAO 2011/07/01 2011/07/01 2011/07/29	GENERAL TOLERANCES (UNLESS SPECIFIED)		DIMENSION STYLE MM ONLY	SCALE ---	DESIGN UNITS METRIC	THIRD ANGLE PROJECTION	
	10 UNDER	± 0.20	DRAWN BY SAIHARA	DATE 2000/10/05	TITLE 0.5 B-T-O-B CONN PLUG ASSY (HGT=1.5)		
	10 OVER 30 UNDER	± 0.25	CHECKED BY MSASAO	DATE 2003/03/31	MOLEX INCORPORATED		
	30 OVER	± 0.30	APPROVED BY MSASAO	DATE 2003/03/31	MATERIAL NO. SEE SHEET 1	DOCUMENT NO. SD-55560-006	SHEET NO. 2 OF 2
	ANGULAR ±3 ° DRAFT WHERE APPLICABLE MUST REMAIN WITHIN DIMENSIONS		SIZE A3	THIS DRAWING CONTAINS INFORMATION THAT IS PROPRIETARY TO MOLEX INCORPORATED AND SHOULD NOT BE USED WITHOUT WRITTEN PERMISSION			

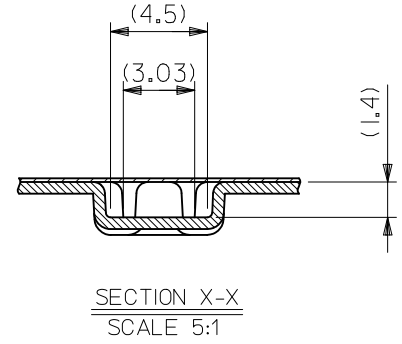
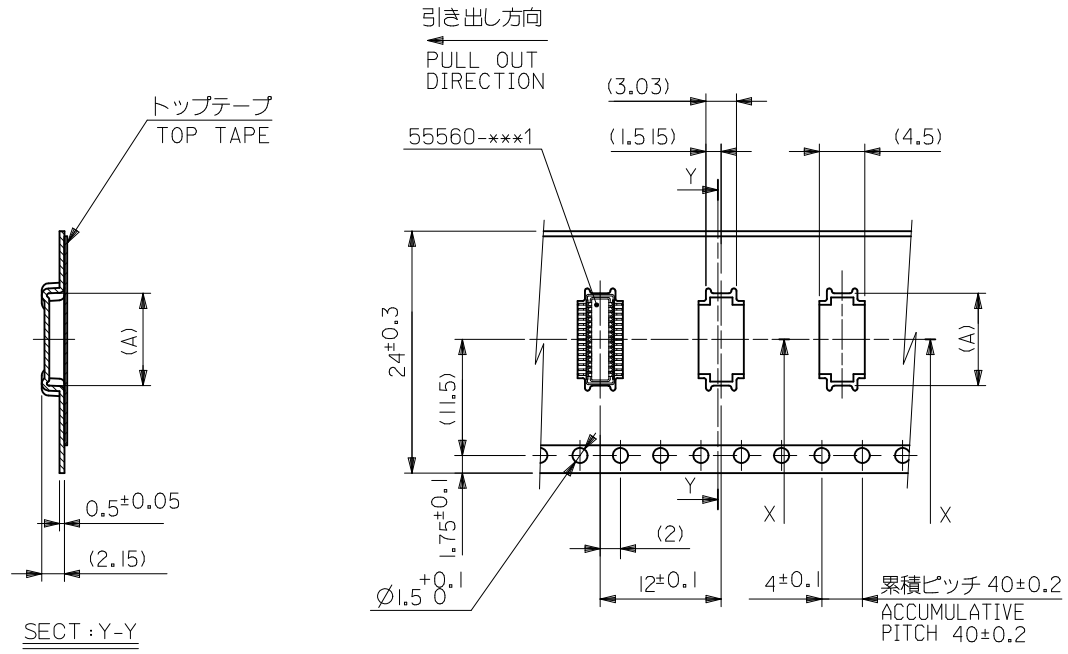


SECTION X-X
SCALE 5:1

16mm幅キャリアテープ
16mm WIDTH CARRIER TAPE

16	17.5	6.65	55560-0207	55560-***7	20
キャリアテープ幅 CARRIER TAPE WIDTH	B	(A)	MATERIAL No.	MODEL No.	極数 CIRCUIT

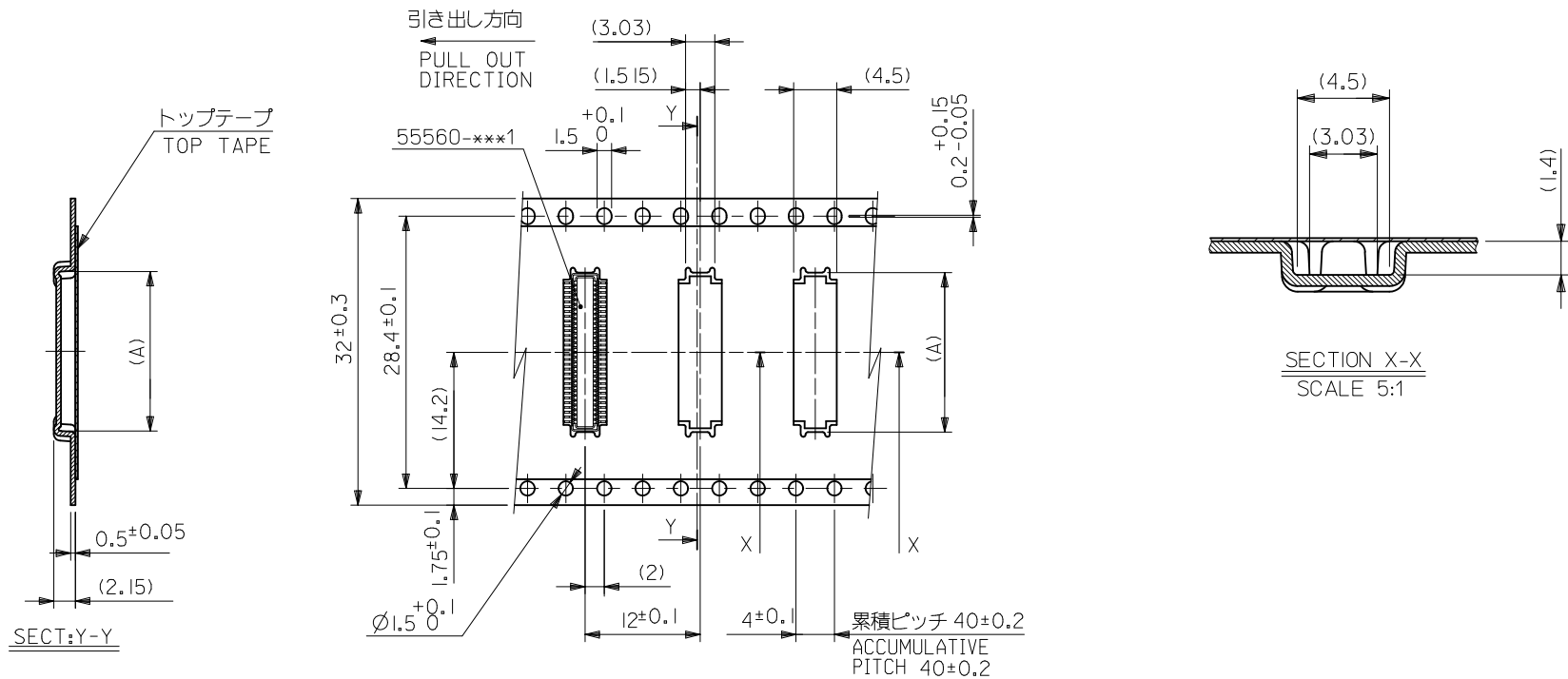
REVISED EC NO: J2010-1529 DRWN: YON002 CHKD: SMARUYAMA APPR: MSASAO 2010/01/28 2010/02/01 2010/02/01	GENERAL TOLERANCES (UNLESS SPECIFIED)		DIMENSION STYLE MM ONLY		SCALE ---	DESIGN UNITS METRIC	THIRD ANGLE PROJECTION
	10 UNDER	±0.2	DRAWN BY S. AIHARA	DATE '00/10/06	TITLE 0.5 B-T0-B PLUG ASSY (HGT=1.5) EMBSTP PKG (SHEET 2 OF 5)		
	10 OVER 30 UNDER	±0.25	CHECKED BY M. SASAO	DATE '03/03/31	MOLEX INCORPORATED		
	30 OVER	±0.3	APPROVED BY M. SASAO	DATE '03/03/31	MATERIAL NO. SEE CHART	DOCUMENT NO. SD-55560-007	SHEET NO. 2 OF 5
J	DESCRIPTION	ANGULAR ±3 °	THIS DRAWING CONTAINS INFORMATION THAT IS PROPRIETARY TO MOLEX INCORPORATED AND SHOULD NOT BE USED WITHOUT WRITTEN PERMISSION				
		DRAFT WHERE APPLICABLE MUST REMAIN WITHIN DIMENSIONS					



24mm幅キャリアテープ
24mm WIDTH CARRIER TAPE

24	25.5	14.15	55560-0507	55560-***7	50
		11.65	55560-0407		40
		10.15	55560-0347		34
		9.15	55560-0307		30
		7.65	55560-0247		24
		7.15	55560-0227		22
キャリアテープ幅 CARRIER TAPE WIDTH	B	(A)	MATERIAL No.	MODEL No.	極数 CIRCUIT

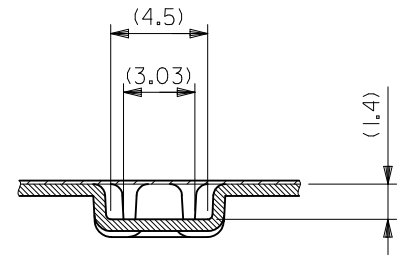
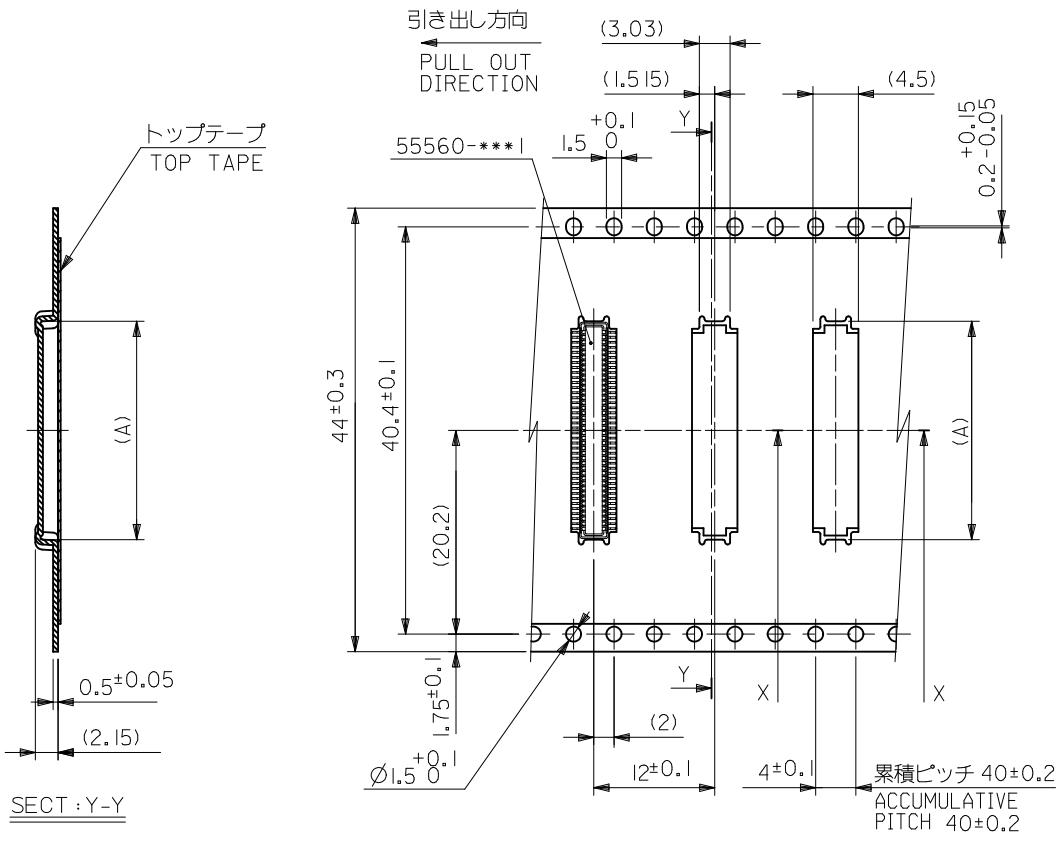
REVISED EC NO: J2010-1529 DRWN: YON002 2010/01/28 CHKD: SMARUYAMA 2010/02/01 APPR: MSASAO 2010/02/02	GENERAL TOLERANCES (UNLESS SPECIFIED)		DIMENSION STYLE MM ONLY		SCALE ---	DESIGN UNITS METRIC	THIRD ANGLE PROJECTION
	10 UNDER	±0.2	DRAWN BY S. AIHARA	DATE '00/10/06	TITLE 0.5 B-T0-B PLUG ASSY (HGT=1.5) EMBSTP PKG (SHEET 3 OF 5)		
	10 OVER 30 UNDER	±0.25	CHECKED BY M. SASAO	DATE '03/03/31	MOLEX INCORPORATED		
	30 OVER	±0.3	APPROVED BY M. SASAO	DATE '03/03/31	MATERIAL NO. SEE TABLE	DOCUMENT NO. SD-55560-007	SHEET NO. 3 OF 5
J	REVISION	ANGULAR ±3 °	DRAFT WHERE APPLICABLE MUST REMAIN WITHIN DIMENSIONS		THIS DRAWING CONTAINS INFORMATION THAT IS PROPRIETARY TO MOLEX INCORPORATED AND SHOULD NOT BE USED WITHOUT WRITTEN PERMISSION		



32mm幅キャリアテープ
32mm WIDTH CARRIER TAPE

32	33.5	16.65	55560-0607	55560-***7	60
キャリアテープ幅 CARRIER TAPE WIDTH	B	(A)	MATERIAL No.	MODEL No.	極数 CIRCUIT

REVISED EC NO: J2010-1529 DRWN: YON002 CH'KD: SMARUYAMA APPR: MSASAO 2010/01/28 2010/02/01 2010/02/02	GENERAL TOLERANCES (UNLESS SPECIFIED)		DIMENSION STYLE MM ONLY		SCALE ---	DESIGN UNITS METRIC	THIRD ANGLE PROJECTION
	10 UNDER	±0.2	DRAWN BY T. YASUI	DATE '02/03/06	TITLE 0.5 B-T0-B PLUG ASSY (HGT=1.5) EMBSTP PKG (SHEET 4 OF 5)		
	10 OVER 30 UNDER	±0.25	CHECKED BY M. SASAO	DATE '03/03/31	MOLEX INCORPORATED		
	30 OVER	±0.3	APPROVED BY M. SASAO	DATE '03/03/31	MATERIAL NO. SEE CHART	DOCUMENT NO. SD-55560-007	SHEET NO. 4 OF 5
J	DESCRIPTION	ANGULAR ±3 °	THIS DRAWING CONTAINS INFORMATION THAT IS PROPRIETARY TO MOLEX INCORPORATED AND SHOULD NOT BE USED WITHOUT WRITTEN PERMISSION				
		DRAFT WHERE APPLICABLE MUST REMAIN WITHIN DIMENSIONS					



SECT: Y-Y

44mm幅キャリアテープ
44mm WIDTH CARRIER TAPE

44	45.5	21.65	55560-0807	55560-***7	80
キャリアテープ幅 CARRIER TAPE WIDTH	B	(A)	MATERIAL No.	MODEL No.	極数 CIRCUIT

REVISED EC NO: J2010-1529 DRWN: YON002 CH'KD: SMARUYAMA APPR: MSASAO 2010/01/28 2010/02/01 2010/02/01	GENERAL TOLERANCES (UNLESS SPECIFIED)		DIMENSION STYLE MM ONLY		SCALE ---	DESIGN UNITS METRIC	THIRD ANGLE PROJECTION
	10 UNDER	±0.2	DRAWN BY S. AIHARA	DATE '00/10/06	TITLE 0.5 B-T0-B PLUG ASSY (HGT=1.5) EMBSTP PKG (SHEET 5 OF 5)		
	10 OVER 30 UNDER	±0.25	CHECKED BY M. SASAO	DATE '03/03/31	MOLEX INCORPORATED		
	30 OVER	±0.3	APPROVED BY M. SASAO	DATE '03/03/31	MATERIAL NO. SEE CHART	DOCUMENT NO. SD-55560-007	SHEET NO. 5 OF 5
J	REV	ANGULAR ±3 °	DRAFT WHERE APPLICABLE MUST REMAIN WITHIN DIMENSIONS		THIS DRAWING CONTAINS INFORMATION THAT IS PROPRIETARY TO MOLEX INCORPORATED AND SHOULD NOT BE USED WITHOUT WRITTEN PERMISSION		