



Chipsmall Limited consists of a professional team with an average of over 10 year of expertise in the distribution of electronic components. Based in Hongkong, we have already established firm and mutual-benefit business relationships with customers from,Europe,America and south Asia,supplying obsolete and hard-to-find components to meet their specific needs.

With the principle of “Quality Parts,Customers Priority,Honest Operation,and Considerate Service”,our business mainly focus on the distribution of electronic components. Line cards we deal with include Microchip,ALPS,ROHM,Xilinx,Pulse,ON,Everlight and Freescale. Main products comprise IC,Modules,Potentiometer,IC Socket,Relay,Connector.Our parts cover such applications as commercial,industrial, and automotives areas.

We are looking forward to setting up business relationship with you and hope to provide you with the best service and solution. Let us make a better world for our industry!



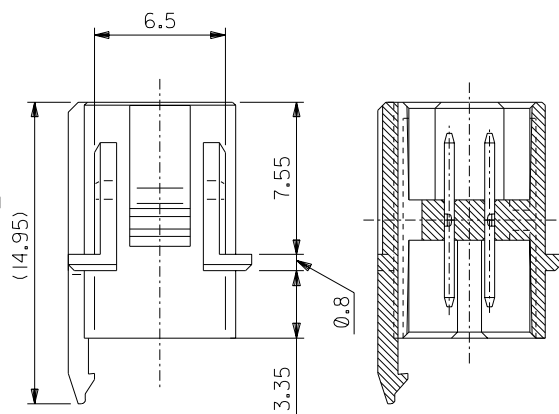
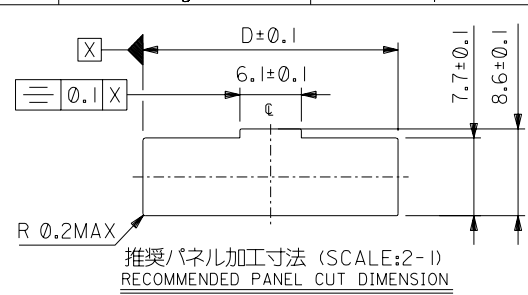
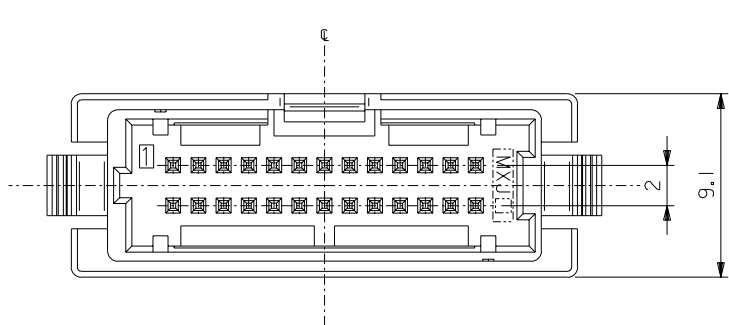
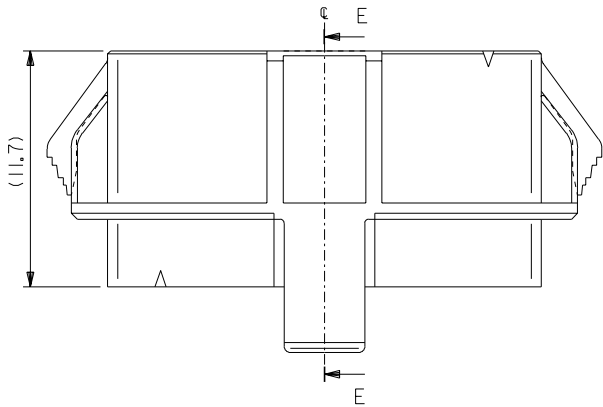
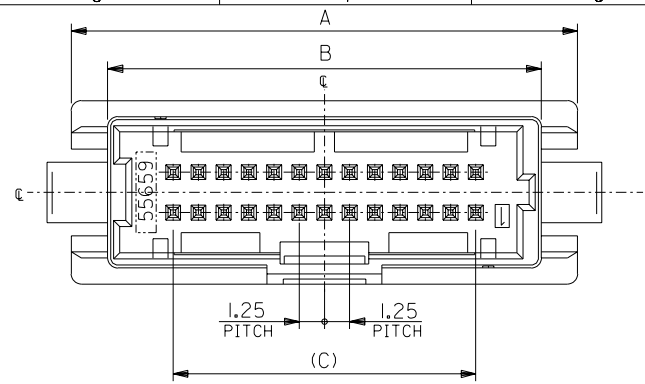
## Contact us

Tel: +86-755-8981 8866 Fax: +86-755-8427 6832

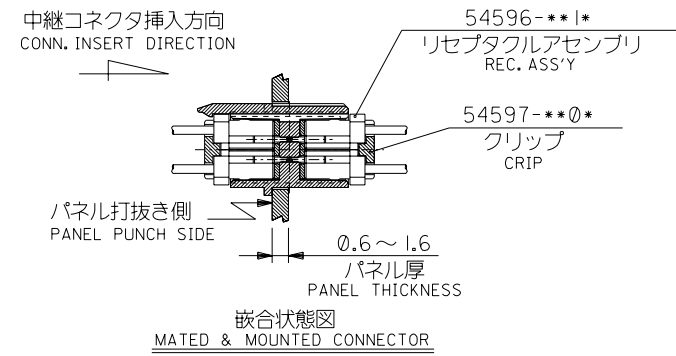
Email & Skype: info@chipsmall.com Web: www.chipsmall.com

Address: A1208, Overseas Decoration Building, #122 Zhenhua RD., Futian, Shenzhen, China





- 注記  
NOTES
- 材質  
MATERIAL  
ウエハー:ナイロン、UL-94V0  
WAFER:NYLON,UL94-V0  
ピン:黄銅、スズメッキ  
PIN:BRASS,PRE-TINNED
  - 嵌合相手  
MATES WITH  
リセプタクルアセンブリ:54596-\*\*\*I\*  
REC. ASS'Y:54596-\*\*\*I\*  
クリップ:54597-\*\*\*0\*  
CRIP:54597-\*\*\*0\*
  - 本製品は 55659-\*\*\*10 の鉛フリー品である。  
THIS PRODUCT IS LEAD FREE OF 55659-\*\*\*10.



34.05	23.75	30.25	33.85	40	55659-4019	55659-***19
32.8	22.5	29	32.6	38	55659-3819	
31.55	21.25	27.75	31.35	36	55659-3619	
30.3	20	26.5	30.1	34	55659-3419	
29.05	18.75	25.25	28.85	32	55659-3219	
27.8	17.5	24	27.6	30	55659-3019	
26.55	16.25	22.75	26.35	28	55659-2819	
25.3	15	21.5	25.1	26	55659-2619	
24.05	13.75	20.25	23.85	24	55659-2419	
22.8	12.5	19	22.6	22	55659-2219	
21.55	11.25	17.75	21.35	20	55659-2019	
20.3	10	16.5	20.1	18	55659-1819	
19.05	8.75	15.25	18.85	16	55659-1619	
17.8	7.5	14	17.6	14	55659-1419	
16.55	6.25	12.75	16.35	12	55659-1219	
15.3	5	11.5	15.1	10	55659-1019	
D	C	B	A	CKT	MATERIAL NO.	MODEL NO.

DO NOT SCALE DRAWING

EC NO. DRWN: CHK: APPR:	EC NO. DRWN: CHK: APPR:	EC NO. DRWN: CHK: APPR:	EC NO. DRWN: CHK: APPR:	新規格作成 RELEASED EC NO. J2004-4039 DRWN: M.NABEI CHK: K.TOJO APPR: M.SASAO	DESCRIPTION	MATERIAL 材料	SEE CHART	GENERAL TOLERANCES: (UNLESS SPECIFIED) 一般公差	SCALE 4-1	DESIGN UNITS <input checked="" type="checkbox"/> mm <input type="checkbox"/> INCH	THIRD ANGLE PROJECTION	DIMENSIONS: <input type="checkbox"/> mm <input type="checkbox"/> INCH <input type="checkbox"/> mm ONLY	SHT REV	
				0	REV	FINISH 仕上げ	—	10 UNDER 未満	±0.2	DRAWN BY & DATE M.NABEI '04/04/28	TITLE: Mini MiII 2-ROW RELAY WAFER ASS'Y -LEAD FREE-			
						WIRE RANGE 適用電線範囲	—	10 OVER 30 UNDER 以上 未満	±0.25	CHECKED BY & DATE K.TOJO '04/04/28				
						INS. RANGE 被覆外径	—	30 OVER 以上	±0.3	APPROVED BY & DATE M.SASAO '04/04/28		MATERIAL NO. SEE CHART	DRAWING NO. SD-55659-004	SHEET NO. 1 OF 1
THIS DRAWING CONTAINS INFORMATION THAT IS PROPRIETARY TO MOLEX INCORPORATED AND SHOULD NOT BE USED WITHOUT WRITTEN PERMISSION.										MATERIAL NO. SEE CHART		DRAWING NO. SD-55659-004	SHEET NO. 1 OF 1	SIZE B