



Chipsmall Limited consists of a professional team with an average of over 10 year of expertise in the distribution of electronic components. Based in Hongkong, we have already established firm and mutual-benefit business relationships with customers from,Europe,America and south Asia,supplying obsolete and hard-to-find components to meet their specific needs.

With the principle of “Quality Parts,Customers Priority,Honest Operation,and Considerate Service”,our business mainly focus on the distribution of electronic components. Line cards we deal with include Microchip,ALPS,ROHM,Xilinx,Pulse,ON,Everlight and Freescale. Main products comprise IC,Modules,Potentiometer,IC Socket,Relay,Connector.Our parts cover such applications as commercial,industrial, and automotives areas.

We are looking forward to setting up business relationship with you and hope to provide you with the best service and solution. Let us make a better world for our industry!



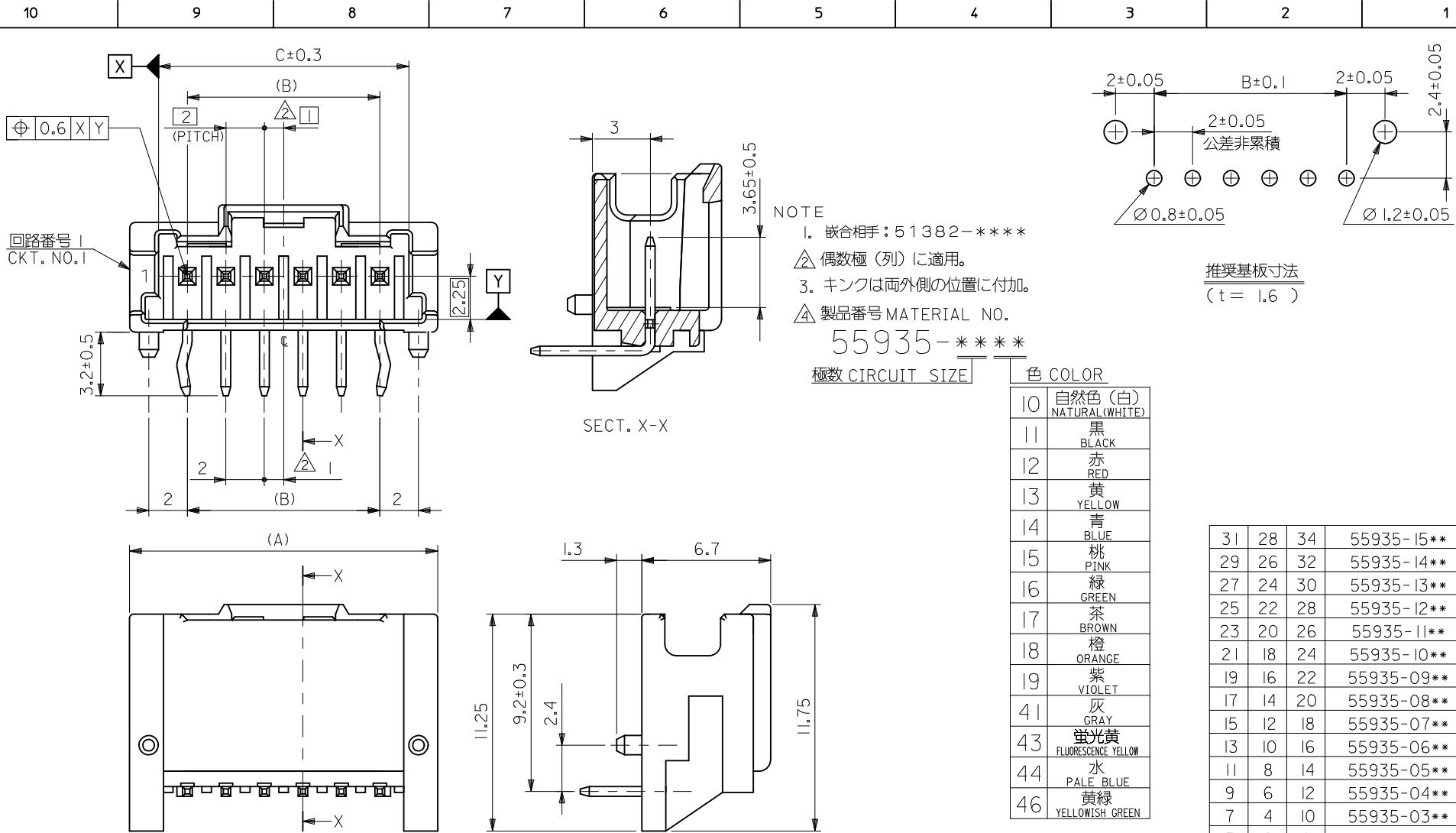
Contact us

Tel: +86-755-8981 8866 Fax: +86-755-8427 6832

Email & Skype: info@chipsmall.com Web: www.chipsmall.com

Address: A1208, Overseas Decoration Building, #122 Zhenhua RD., Futian, Shenzhen, China





NOTE
 1. 嵌合相手: 51382-****
 2. 偶数極(列)に適用。
 3. キングは両外側の位置に付加。
 4. 製品番号 MATERIAL NO.
55935-****
 極数 CIRCUIT SIZE

色 COLOR
10 自然色(白) NATURAL(WHITE)
11 黒 BLACK
12 赤 RED
13 黄 YELLOW
14 青 BLUE
15 桃 PINK
16 緑 GREEN
17 茶 BROWN
18 橙 ORANGE
19 紫 VIOLET
41 灰 GRAY
43 蛍光黄 FLUORESCENCE YELLOW
44 水 PALE BLUE
46 黄緑 YELLOWISH GREEN

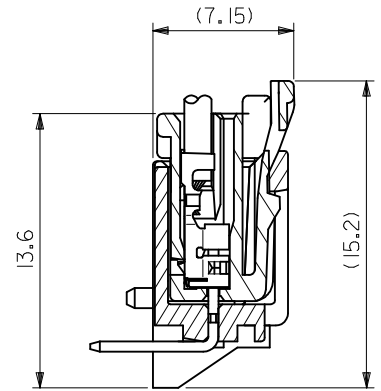
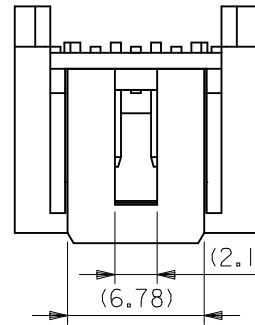
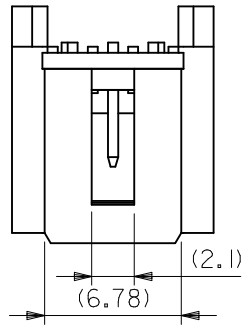
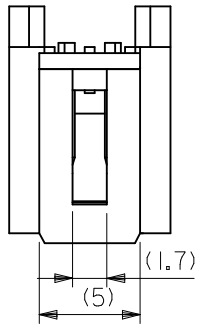
推奨基板寸法
(t = 1.6)

31	28	34	55935-15**	15
29	26	32	55935-14**	14
27	24	30	55935-13**	13
25	22	28	55935-12**	12
23	20	26	55935-11**	11
21	18	24	55935-10**	10
19	16	22	55935-09**	9
17	14	20	55935-08**	8
15	12	18	55935-07**	7
13	10	16	55935-06**	6
11	8	14	55935-05**	5
9	6	12	55935-04**	4
7	4	10	55935-03**	3
5	2	8	55935-02**	2
C	B	A	MATERIAL NO. CKT.	

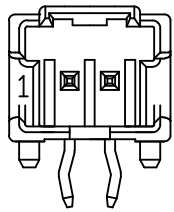
3~15極 側面図

MATERIAL
 ピン: 黄銅, ニッケル下地錫メッキ
 ハウジング: PBT

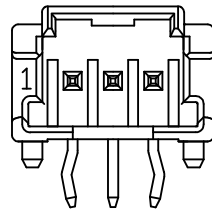
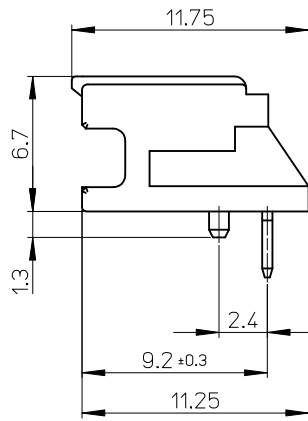
REVISED	EC NO: J2014-0331	DRWN: YAJI MA01 2013/08/22	CHKD: KASAKAWA 2013/08/23	APPR: NUKITA 2013/08/26	DESCRIPTION	GENERAL TOLERANCES (UNLESS SPECIFIED)		DIMENSION STYLE		SCALE	DESIGN UNITS		TITLE
						10 UNDER	±0.20	MM ONLY	---	METRIC	THIRD ANGLE PROJECTION		
						10 OVER	±0.25	DRAWN BY	DATE				2.0 W/B SINGLE CONN. PLUG HOUSING ASS'Y R/A -LEAD FREE-
						30 OVER	±0.30	CHECKED BY	DATE				
						ANGULAR	±3 °	APPROVED BY	DATE				molex
						DRAFT WHERE APPLICABLE MUST REMAIN WITHIN DIMENSIONS		T. YAMAGUCHI	'03/06/12				
								MATERIAL NO.					DOCUMENT NO.
								SIZE	A3	THIS DRAWING CONTAINS INFORMATION THAT IS PROPRIETARY TO MOLEX INCORPORATED AND SHOULD NOT BE USED WITHOUT WRITTEN PERMISSION			SHEET NO.
													SD-55935-005
													1 OF 2



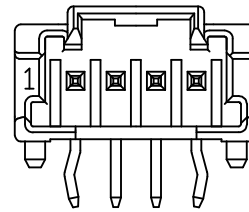
嵌合断面図



2 CIRCUIT



3 CIRCUIT



4 CIRCUIT

MODEL NO. : 55935-****

REVISED EC NO: J2014-0331 DRWN: YAJI MA01 2013/08/22 CHKD: KASAKAWA 2013/08/23 APPR: NUKITA 2013/08/26	GENERAL TOLERANCES (UNLESS SPECIFIED)		DIMENSION STYLE MM ONLY		SCALE ---	DESIGN UNITS METRIC	THIRD ANGLE PROJECTION	
	10 UNDER	±0.20	DRAWN BY	DATE	TITLE			
	10 OVER 30 UNDER	±0.25	T. NIITSU	'02/05/15	2.0 W/B SINGLE CONN. PLUG HOUSING ASS'Y R/A -LEAD FREE-			
	30 OVER	±0.30	K. ASAKAWA	'03/06/12				
ANGULAR ±3 ° DRAFT WHERE APPLICABLE MUST REMAIN WITHIN DIMENSIONS		APPROVED BY T. YAMAGUCHI '03/06/12		MATERIAL NO. SEE CHART		DOCUMENT NO. SD-55935-005		SHEET NO. 2 OF 2
		SIZE A3		THIS DRAWING CONTAINS INFORMATION THAT IS PROPRIETARY TO MOLEX INCORPORATED AND SHOULD NOT BE USED WITHOUT WRITTEN PERMISSION				