



Chipsmall Limited consists of a professional team with an average of over 10 year of expertise in the distribution of electronic components. Based in Hongkong, we have already established firm and mutual-benefit business relationships with customers from,Europe,America and south Asia,supplying obsolete and hard-to-find components to meet their specific needs.

With the principle of “Quality Parts,Customers Priority,Honest Operation,and Considerate Service”,our business mainly focus on the distribution of electronic components. Line cards we deal with include Microchip,ALPS,ROHM,Xilinx,Pulse,ON,Everlight and Freescale. Main products comprise IC,Modules,Potentiometer,IC Socket,Relay,Connector.Our parts cover such applications as commercial,industrial, and automotives areas.

We are looking forward to setting up business relationship with you and hope to provide you with the best service and solution. Let us make a better world for our industry!



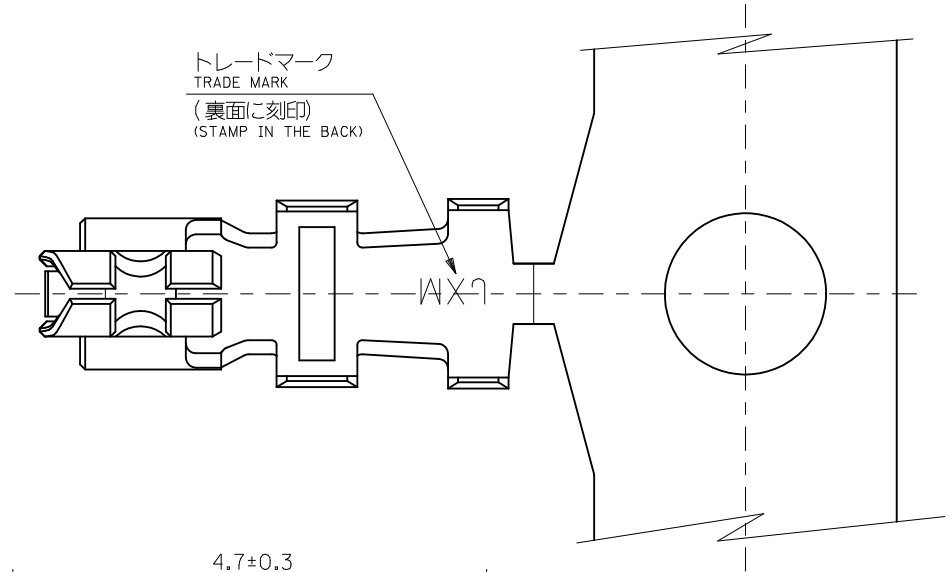
## Contact us

Tel: +86-755-8981 8866 Fax: +86-755-8427 6832

Email & Skype: info@chipsmall.com Web: www.chipsmall.com

Address: A1208, Overseas Decoration Building, #122 Zhenhua RD., Futian, Shenzhen, China

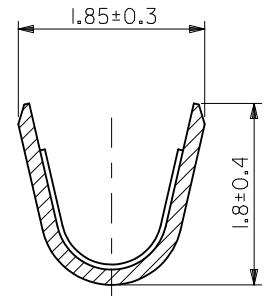
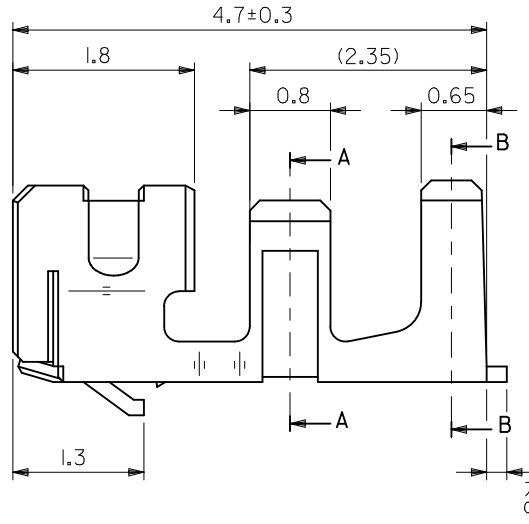
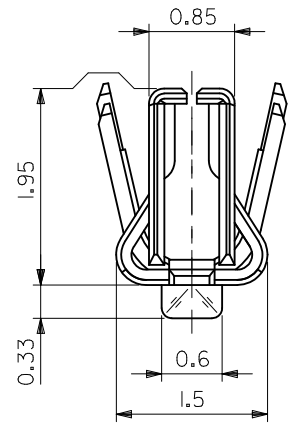




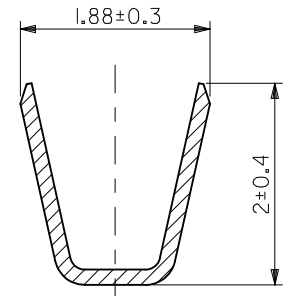
トレードマーク  
TRADE MARK  
(裏面に刻印)  
(STAMP IN THE BACK)

注記  
NOTES

- 材質：リン青銅、t = 0.152  
MATERIAL : PHOSPHOR BRONZE, t = 0.152
- メッキ仕様  
PLATING  
金メッキ : 0.1µm MIN.  
GOLD : 0.1µm MIN.  
ニッケルメッキ : 1.5µm MIN. (下地メッキ)  
NICKEL : 1.5µm MIN. (UNDER PLATING)
- 適用ハウジング : 54992-09\*\*, 502351-\*\*00  
APPLICABLE HOUSING : 54992-09\*\*, 502351-\*\*00
- ELV 及び RoHS 適合品  
ELV AND RoHS COMPLIANT.



断面 A-A  
SECTION A-A



断面 B-B  
SECTION B-B

0.2 MAX.  
カットオフタブ  
CUT-OFF TAB

バラ状 LOOSE	56161-8181
連鎖状 CHAIN	56161-8081
端子形状 FORM	オーダー番号 ORDER No.

CONNECTOR SERIES No. 56161-8\*81

材料 MATERIAL	注記参照 SEE NOTES
仕上げ FINISH	注記参照 SEE NOTES
適用電線範囲 WIRE RANGE	AWG #22~#26
被服外径範囲 INSURATION RANGE	φ1.4 MAX.

REVISED EC NO.: J2011-0785 DRWK:KAWASHIO 2010/12/08 CHKD:KASAKAWA 2010/12/09 APPR:NUKITA 2010/12/09	GENERAL TOLERANCES (UNLESS SPECIFIED)
	10 UNDER ±0.2
	10 OVER 30 UNDER ±0.25
	30 OVER ±0.3
ANGULAR ±3 °	
DRAFT WHERE APPLICABLE MUST REMAIN WITHIN DIMENSIONS	

DIMENSION STYLE MM ONLY	
DRAWN BY KKOBAYASHI	DATE 2001/10/05
CHECKED BY NMATSUURA	DATE 2001/10/05
APPROVED BY YOITO	DATE 2001/10/05
MATERIAL NO. SEE CHART	
SIZE A3	

SCALE 20:1	DESIGN UNITS METRIC	THIRD ANGLE PROJECTION
TITLE SMC (SERVO MOTOR ENCODER CONN.) CRIMP RECEPTACLE		
MOLEX INCORPORATED		
MATERIAL NO. SD-56161-002	DOCUMENT NO.	SHEET NO. 1 OF 1
THIS DRAWING CONTAINS INFORMATION THAT IS PROPRIETARY TO MOLEX INCORPORATED AND SHOULD NOT BE USED WITHOUT WRITTEN PERMISSION		