



Chipsmall Limited consists of a professional team with an average of over 10 year of expertise in the distribution of electronic components. Based in Hongkong, we have already established firm and mutual-benefit business relationships with customers from,Europe,America and south Asia,supplying obsolete and hard-to-find components to meet their specific needs.

With the principle of “Quality Parts,Customers Priority,Honest Operation,and Considerate Service”,our business mainly focus on the distribution of electronic components. Line cards we deal with include Microchip,ALPS,ROHM,Xilinx,Pulse,ON,Everlight and Freescale. Main products comprise IC,Modules,Potentiometer,IC Socket,Relay,Connector.Our parts cover such applications as commercial,industrial, and automotives areas.

We are looking forward to setting up business relationship with you and hope to provide you with the best service and solution. Let us make a better world for our industry!



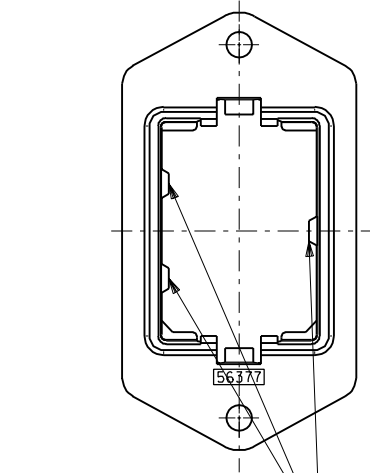
Contact us

Tel: +86-755-8981 8866 Fax: +86-755-8427 6832

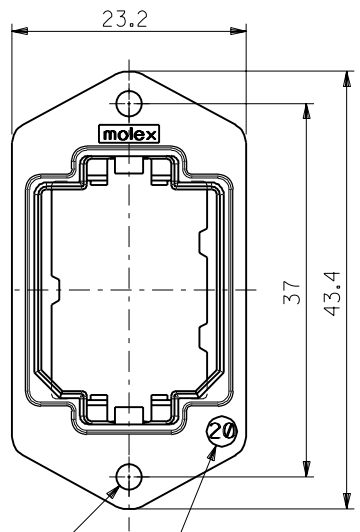
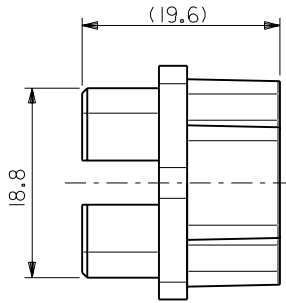
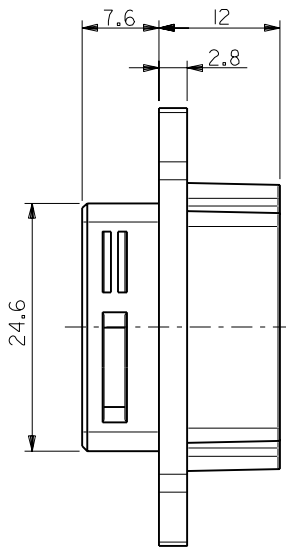
Email & Skype: info@chipsmall.com Web: www.chipsmall.com

Address: A1208, Overseas Decoration Building, #122 Zhenhua RD., Futian, Shenzhen, China

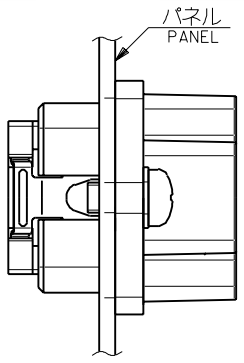




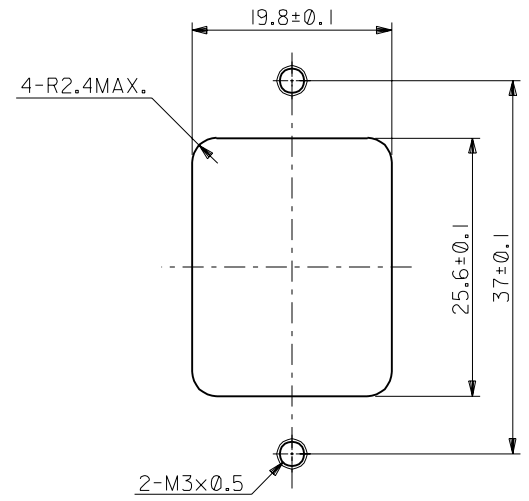
ハウジング挿入方向キー
POLARIZATIONS KEY FOR HOUSING



2- ϕ 3.2 SIZE IDENTIFICATION



パネル前面取り付け
FRONT MOUNT TYPE



推奨パネル切り取り寸法 (前面取り付け)
RECOMMENDED PANEL OPENING (FRONT MOUNTING)

注記
NOTES

1. 材質
MATERIAL
亜鉛合金、ニッケルメッキ
ZINC ALLOY, NI PLATING
2. 適用ハウジングアッセンブリ : 51233-201* (PIN HS'G ASS'Y)
51238-201* (SOCKET HS'G ASS'Y)
APPLICABLE HOUSING ASS'Y : 51233-201* (PIN HS'G ASS'Y)
51238-201* (SOCKET HS'G ASS'Y)
3. 推奨ねじ締め付けトルク : 5~6 kgf·cm
RECOMMENDED SCREW TIGHTENING TORQUE : 5~6 kgf·cm

56377-2000	56377-****
------------	------------

MATERIAL.NO	MODEL.NO
-------------	----------

DIMENSIONS:		SHT	REV
<input type="checkbox"/> mm	<input type="checkbox"/> INCH	<input checked="" type="checkbox"/> mm	<input type="checkbox"/> ONLY
		REVISE ON CAD ONLY	

TITLE: COMPACT ROBOT CONN. (CRC) RECEPTACLE SHELL

MOLEX INCORPORATED

MATERIAL NO.	DRAWING NO.	SHEET NO.
SEE CHART	SD-56377-005	1 OF 1

THIS DRAWING CONTAINS INFORMATION THAT IS PROPRIETARY TO MOLEX INCORPORATED AND SHOULD NOT BE USED WITHOUT WRITTEN PERMISSION. SIZE B

DO NOT SCALE DRAWING

EC NO.	REVISED 01/10/17
DRWN: CH'K: APPR:	EC NO. J2002-0932
	DRWN: S.AKIYAMA
	CH'K: J.MIYAZAWA
	APPR: Y.O.IITO
EC NO.	RELEASED 01/02/09
DRWN: CH'K: APPR:	EC NO. JD2001-1040
	DRWN: S.AKIYAMA
	CH'K: J.MIYAZAWA
	APPR: H.IKESUGI
DESCRIPTION	
FINISH 仕上げ	#
WIRE RANGE 適用電線範囲	#
INS. RANGE 被覆外径	#

MATERIAL 材料	注記参照 SEE NOTES
GENERAL TOLERANCES: (UNLESS SPECIFIED) 一般公差	
10 UNDER 未満	±0.2
10 OVER 以上 30 UNDER 未満	±0.25
30 OVER 以上	±0.3
ANGLE 角度	±3°

SCALE 2-1	DESIGN UNITS <input checked="" type="checkbox"/> mm <input type="checkbox"/> INCH
DRAWN BY & DATE S. Akiyama / 01/17/25	
CHECKED BY & DATE J. Miyazawa / Y. O. Ito	
APPROVED BY & DATE H. Ikessugi	
CAD FILE NAME 56377005.S01	

THIRD ANGLE PROJECTION	TITLE:
	COMPACT ROBOT CONN. (CRC) RECEPTACLE SHELL
	MOLEX INCORPORATED

MATERIAL NO.	DRAWING NO.	SHEET NO.
SEE CHART	SD-56377-005	1 OF 1
THIS DRAWING CONTAINS INFORMATION THAT IS PROPRIETARY TO MOLEX INCORPORATED AND SHOULD NOT BE USED WITHOUT WRITTEN PERMISSION. SIZE B		