



Chipsmall Limited consists of a professional team with an average of over 10 year of expertise in the distribution of electronic components. Based in Hongkong, we have already established firm and mutual-benefit business relationships with customers from,Europe,America and south Asia,supplying obsolete and hard-to-find components to meet their specific needs.

With the principle of “Quality Parts,Customers Priority,Honest Operation,and Considerate Service”,our business mainly focus on the distribution of electronic components. Line cards we deal with include Microchip,ALPS,ROHM,Xilinx,Pulse,ON,Everlight and Freescale. Main products comprise IC,Modules,Potentiometer,IC Socket,Relay,Connector.Our parts cover such applications as commercial,industrial, and automotives areas.

We are looking forward to setting up business relationship with you and hope to provide you with the best service and solution. Let us make a better world for our industry!



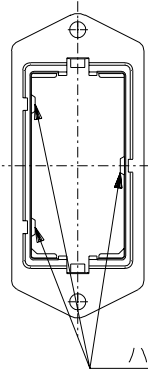
## Contact us

Tel: +86-755-8981 8866 Fax: +86-755-8427 6832

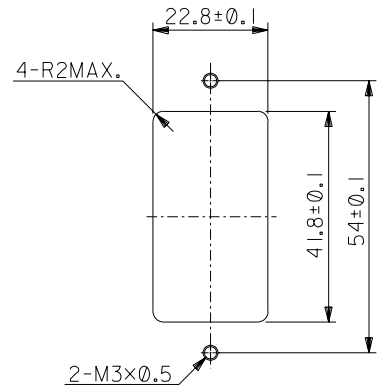
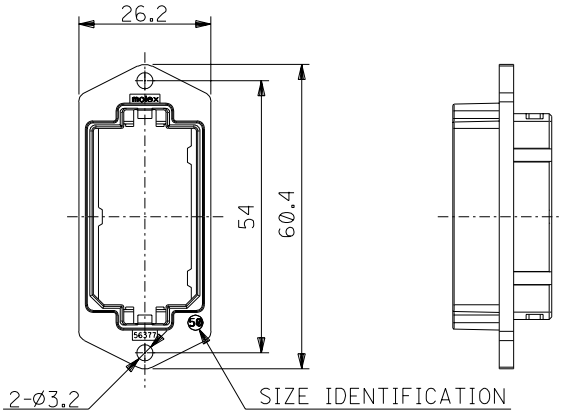
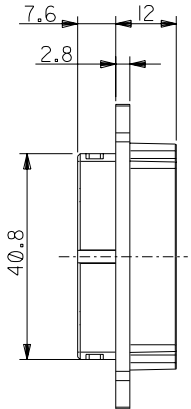
Email & Skype: info@chipsmall.com Web: www.chipsmall.com

Address: A1208, Overseas Decoration Building, #122 Zhenhua RD., Futian, Shenzhen, China

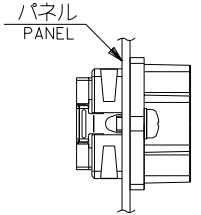
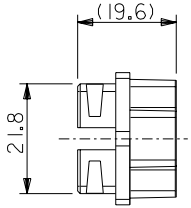




ハウジング挿入方向キー  
POLARIZATIONS KEY FOR HOUSING



推奨パネル切り取り寸法 (前面取り付け)  
RECOMMENDED PANEL OPENING (FRONT MOUNTING)



パネル前面取り付け  
FRONT MOUNT TYPE

注記  
NOTES

- 材質  
MATERIAL  
亜鉛合金, ニッケルメッキ  
ZINC ALLOY, NI PLATING
- 適用ハウジングアッセンブリ: 51233-501\* (PIN HS'G ASS'Y)  
51238-501\* (SOCKET HS'G ASS'Y)  
APPLICABLE HOUSING ASS'Y: 51233-501\* (PIN HS'G ASS'Y)  
51238-501\* (SOCKET HS'G ASS'Y)
- 推奨ねじ締め付けトルク: 5~6 kgf・cm  
RECOMMENDED SCREW TIGHTENING TORQUE: 5~6 kgf・cm

56377-5000	56377-****
MATERIAL NO.	MODEL NO.

DO NOT SCALE DRAWING

EC NO. DRWN: CHK: APPR:	EC NO. DRWN: CHK: APPR:	EC NO. DRWN: CHK: APPR:	REVISED '02/06/03	MATERIAL 材料	GENERAL TOLERANCES: (UNLESS SPECIFIED) 一般公差	SCALE	DESIGN UNITS <input checked="" type="checkbox"/> mm <input type="checkbox"/> INCH	THIRD ANGLE PROJECTION	DIMENSIONS: <input type="checkbox"/> mm <input type="checkbox"/> INCH <input checked="" type="checkbox"/> mm ONLY	SHT	REV
			EC NO. J2002-3016 DRWN: S.AKIYAMA CHK: J.MIYAZAWA APPR: YO.IITO								
A	Ø	Ø	RELEASED '02/02/04	注記参照 SEE NOTES	30 UNDER 未滿	±0.25	CHECKED BY & DATE <i>J. Mizawa</i> '02/02/04	COMPACT ROBOT CONN. 50CKT. RECEPTACLE SHELL	MATERIAL NO.	DRAWING NO.	SHEET NO.
			EC NO. J2002-1828 DRWN: S.AKIYAMA CHK: J.MIYAZAWA APPR: YO.IITO								
				WIRE RANGE 適用線径範囲	ANGLE 角度	±3°	CAD FILENAME 56377015.S01	THIS DRAWING CONTAINS INFORMATION THAT IS PROPRIETARY TO MOLEX INCORPORATED AND SHOULD NOT BE USED WITHOUT WRITTEN PERMISSION.		SIZE B	