



Chipsmall Limited consists of a professional team with an average of over 10 year of expertise in the distribution of electronic components. Based in Hongkong, we have already established firm and mutual-benefit business relationships with customers from,Europe,America and south Asia,supplying obsolete and hard-to-find components to meet their specific needs.

With the principle of “Quality Parts,Customers Priority,Honest Operation,and Considerate Service”,our business mainly focus on the distribution of electronic components. Line cards we deal with include Microchip,ALPS,ROHM,Xilinx,Pulse,ON,Everlight and Freescale. Main products comprise IC,Modules,Potentiometer,IC Socket,Relay,Connector.Our parts cover such applications as commercial,industrial, and automotives areas.

We are looking forward to setting up business relationship with you and hope to provide you with the best service and solution. Let us make a better world for our industry!



Contact us

Tel: +86-755-8981 8866 Fax: +86-755-8427 6832

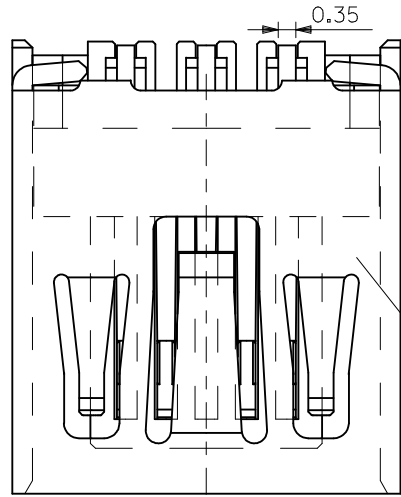
Email & Skype: info@chipsmall.com Web: www.chipsmall.com

Address: A1208, Overseas Decoration Building, #122 Zhenhua RD., Futian, Shenzhen, China

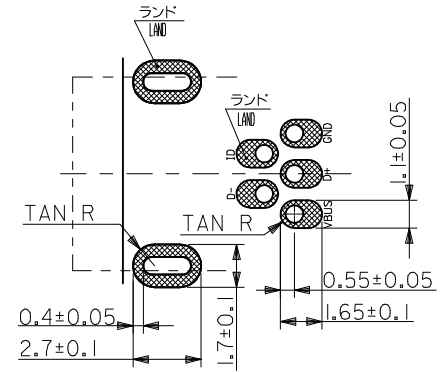
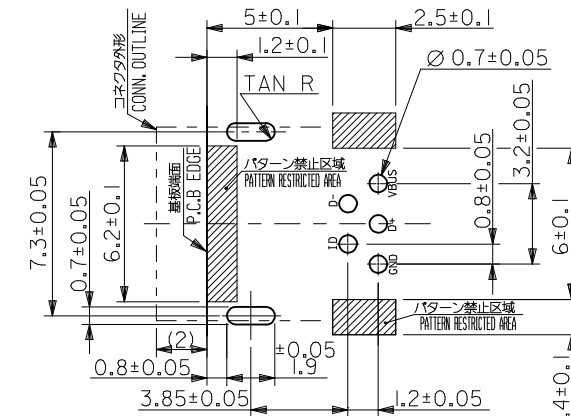


コネクタ実装側 (CONNECTOR MOUNT SIDE)

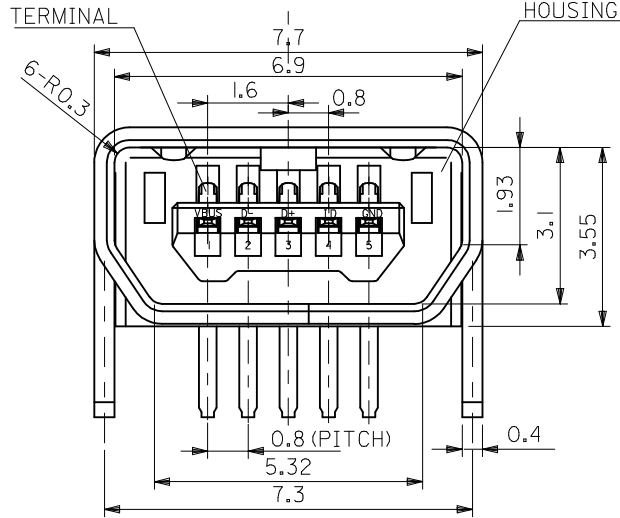
逆側 (REVERSE SIDE)



SHIELD CASE

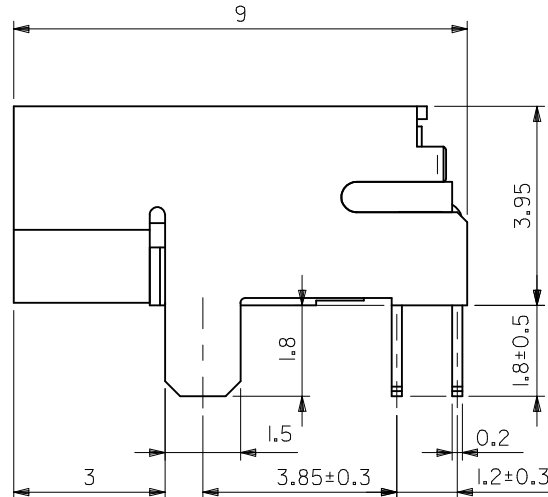


推奨基板寸法
RECOMMENDED P.C.B. PATTERN LAYOUT



TERMINAL

HOUSING



注記 1. 材質
NOTES MATERIAL

ハウジング: PA, ガラス充填, 灰色, UL94V-0
HOUSING: PA, GLASS FILLED, GRAY, UL94V-0
ターミナル: 銅合金 (t=0.2)
TERMINAL: COPPER ALLOY (t=0.2)
シールド ケース: 銅合金 (t=0.4)
SHIELD CASE: COPPER ALLOY (t=0.4)

2. メッキ仕様
PLATING

ターミナル
TERMINAL
接点部: 金メッキ 0.76MICRO METER MIN.
CONTACT AREA: GOLD 0.76MICRO METER MIN.
半田付け部: 銅メッキ 1.0MICRO METER MIN.
SOLDER TAIL AREA: TIN 1.0MICRO METER MIN.
下地部: ニッケルメッキ 4.0MICRO METER MIN.
UNDER PLATING: NICKEL 4.0MICRO METER MIN.
シールド ケース
SHIELD CASE
: 銅メッキ 1.0MICRO METER MIN.
: TIN 1.0MICRO METER MIN.
下地部: ニッケルメッキ 1.0MICRO METER MIN.
UNDER PLATING: NICKEL 1.0MICRO METER MIN.

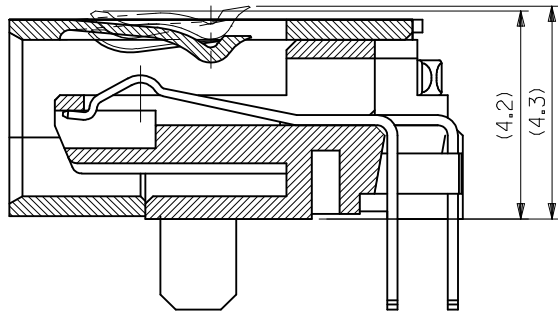
3. 本製品は56579-0511の鉛フリー品である。
THIS PRODUCT IS LEAD FREE OF 56579-0511

56579-0519
TRAY PKG.
ORDER NO.

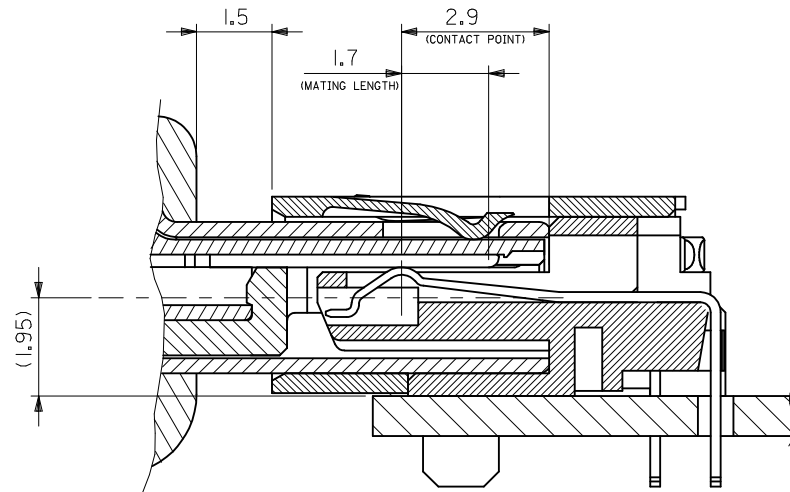
MODEL No.56579-**19

| GENERAL TOLERANCES (UNLESS SPECIFIED) | | DIMENSION STYLE | SCALE | DESIGN UNITS | THIRD ANGLE PROJECTION |
|---|-------|-----------------|--------------|--------------|--|
| | | MM ONLY | --- | METRIC | |
| 10 UNDER | ±0.2 | DRAWN BY | DATE | TITLE | USB SERIES MINI-AB REC.ASS'Y DIP -LEAD FREE- |
| 10 OVER 30 UNDER | ±0.25 | M. NAGATA | 2004/03/10 | | |
| 30 OVER | ±0.3 | CHECKED BY | DATE | | |
| ANGULAR ±3 ° | | APPROVED BY | DATE | | MOLEX INCORPORATED |
| DRAFT WHERE APPLICABLE MUST REMAIN WITHIN DIMENSIONS | | M. SASAO | 2004/03/10 | | |
| | | MATERIAL NO. | DOCUMENT NO. | SHEET NO. | |
| | | SEE TABLE | SD-56579-014 | 1 OF 2 | |
| THIS DRAWING CONTAINS INFORMATION THAT IS PROPRIETARY TO MOLEX INCORPORATED AND SHOULD NOT BE USED WITHOUT WRITTEN PERMISSION | | | | | |

10 9 8 7 6 5 4 3 2 1



SECTION



MATING

MODEL No.56579-**-19

| | | | | | | |
|--|---------------------------------------|--|------------------------------------|--|--|----------------------------|
| REVISED EC NO.: J2009-1533 DRW: NESATO 2009/06/25 CHK'D: MATSUMOTO 2009/06/25 APPR: NUKITA 2009/06/25 | GENERAL TOLERANCES (UNLESS SPECIFIED) | | DIMENSION STYLE MM ONLY | SCALE --- | DESIGN UNITS METRIC | THIRD ANGLE PROJECTION |
| | 10 UNDER | ±0.2 | DRAWN BY M. NAGATA | DATE 2004/03/10 | TITLE USB SERIES MINI-AB REC. HS'G ASS'Y (DIP) -LEAD FREE- | |
| | 10 OVER 30 UNDER | ±0.25 | CHECKED BY K. TOJO | DATE 2004/03/10 | MOLEX INCORPORATED | |
| | 30 OVER | ±0.3 | APPROVED BY M. SASAO | DATE 2004/03/10 | DOCUMENT NO. SD-56579-014 | SHEET NO. 2 OF 2 |
| A | DESCRIPTION | ANGULAR ±3 ° DRAFT WHERE APPLICABLE MUST REMAIN WITHIN DIMENSIONS | MATERIAL NO. SEE SHEET 1 | THIS DRAWING CONTAINS INFORMATION THAT IS PROPRIETARY TO MOLEX INCORPORATED AND SHOULD NOT BE USED WITHOUT WRITTEN PERMISSION | | |