



Chipsmall Limited consists of a professional team with an average of over 10 year of expertise in the distribution of electronic components. Based in Hongkong, we have already established firm and mutual-benefit business relationships with customers from,Europe,America and south Asia,supplying obsolete and hard-to-find components to meet their specific needs.

With the principle of “Quality Parts,Customers Priority,Honest Operation,and Considerate Service”,our business mainly focus on the distribution of electronic components. Line cards we deal with include Microchip,ALPS,ROHM,Xilinx,Pulse,ON,Everlight and Freescale. Main products comprise IC,Modules,Potentiometer,IC Socket,Relay,Connector.Our parts cover such applications as commercial,industrial, and automotives areas.

We are looking forward to setting up business relationship with you and hope to provide you with the best service and solution. Let us make a better world for our industry!



Contact us

Tel: +86-755-8981 8866 Fax: +86-755-8427 6832

Email & Skype: info@chipsmall.com Web: www.chipsmall.com

Address: A1208, Overseas Decoration Building, #122 Zhenhua RD., Futian, Shenzhen, China



DWG. 10.
SD-57964-002

SIMILAR ITEM

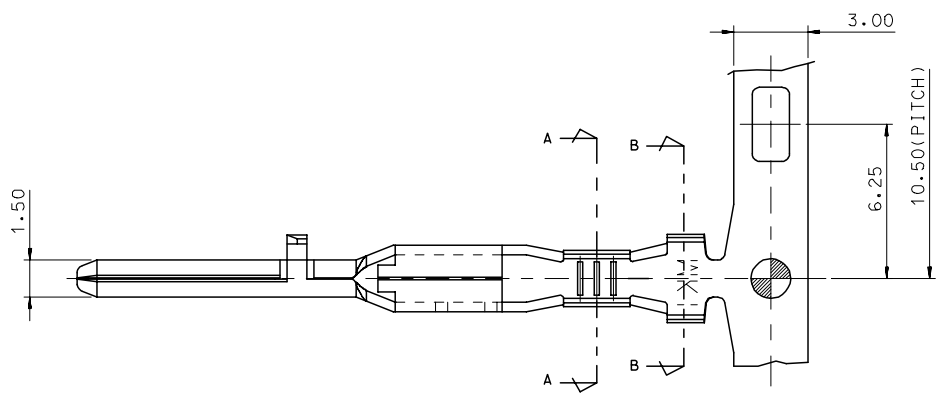
PROJECT NO.

C

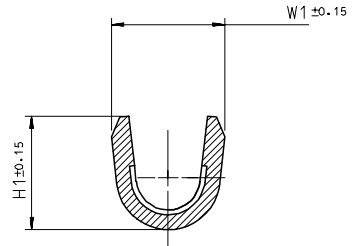
B

DO NOT SCALE DRAWING
DIMENSION IN METRIC

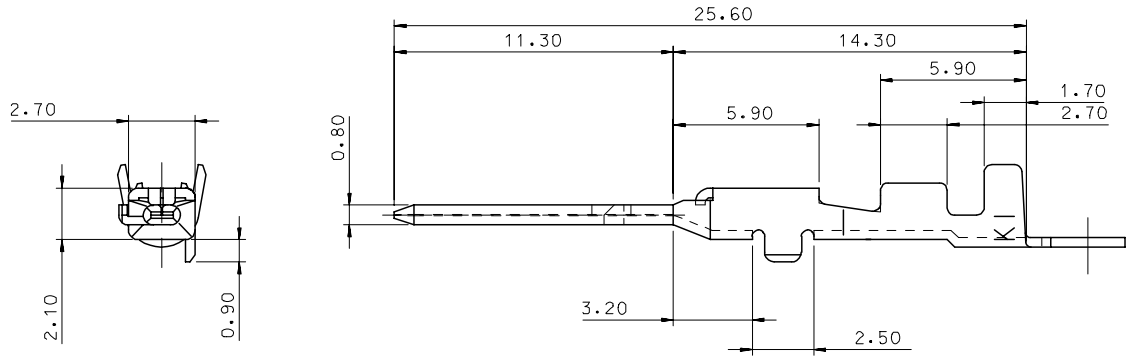
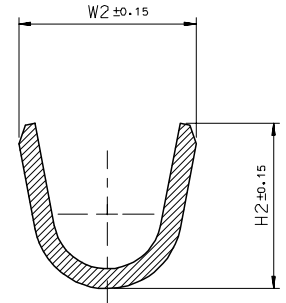
ENG.NO	MATERIAL NO.	DESCRIPTION	DIMENSION						WIRE RANGE mm ²
			W1	H1	R1	W2	H2	R2	
57964-9702	579649702	.060 MALE TER'L(S)	2.3	2.3	R0.65	3.6	3.35	R0.90	AVS(CAVS) 0.3,0.5
57964-9802	579649802	.060 MALE TER'L(M)	2.8	2.95	R0.9	4.2	3.9	R1.3	AVS(CAVS) 0.5,0.85,1.25
57964-9902	579649902	.060 MALE TER'L(L)	3.8	4.1	R1.1	4.5	4.0	R1.4	AVSS 2f



SECTION A-A
(S=10:1)



SECTION B-B
(S=10:1)



- MATERIAL: BRASS, $\pm=0.35\pm0.02$
- FINISH: PRE-TIN

CHANGE OF BOARD EC NO.: KOR2006-0039 DRWN: S.Y.PARK 05/09/20 CHK: B.C.YOON 05/09/20 APPR: C.W.LEE 05/09/20	QUALITY SYMBOLS MAJOR = CRITICAL =	GENERAL TOLERANCES: (UNLESS SPECIFIED)		SCALE 5:1	DESIGN UNITS <input checked="" type="checkbox"/> mm <input type="checkbox"/> INCH	THIRD ANGLE PROJECTION 	DIMENSIONS: <input type="checkbox"/> mm <input type="checkbox"/> INCH <input type="checkbox"/> mm <input checked="" type="checkbox"/> ONLY	SHT	REV	
		4 PLACES	±0.	±.	DRAWN BY & DATE H.C.RHO 011229		TITLE: .060 MALE TERMINAL			
		3 PLACES	±0.	±.	CHECKED BY & DATE H.C.RHO 011229					
		2 PLACES	±0.3	±.	APPROVED BY & DATE C.W.LEE 011229		MATERIAL NO. SEE TABLE			
1 PLACE	±0.	±.	ANGULAR: ± °		CAD FILENAME S060MT		DRAWING NO. SD-57964-002	SHEET NO. 1 OF 1	SIZE B	
REV	DESCRIPTION	DRAFT WHERE APPLICABLE MUST REMAIN WITHIN DIMENSIONS		THIS DRAWING CONTAINS INFORMATION THAT IS PROPRIETARY TO MOLEX INCORPORATED AND SHOULD NOT BE USED WITHOUT WRITTEN PERMISSION.						

F

E

D

C

B

A

MX-A3