



Chipsmall Limited consists of a professional team with an average of over 10 year of expertise in the distribution of electronic components. Based in Hongkong, we have already established firm and mutual-benefit business relationships with customers from,Europe,America and south Asia,supplying obsolete and hard-to-find components to meet their specific needs.

With the principle of “Quality Parts,Customers Priority,Honest Operation,and Considerate Service”,our business mainly focus on the distribution of electronic components. Line cards we deal with include Microchip,ALPS,ROHM,Xilinx,Pulse,ON,Everlight and Freescale. Main products comprise IC,Modules,Potentiometer,IC Socket,Relay,Connector.Our parts cover such applications as commercial,industrial, and automotives areas.

We are looking forward to setting up business relationship with you and hope to provide you with the best service and solution. Let us make a better world for our industry!



Contact us

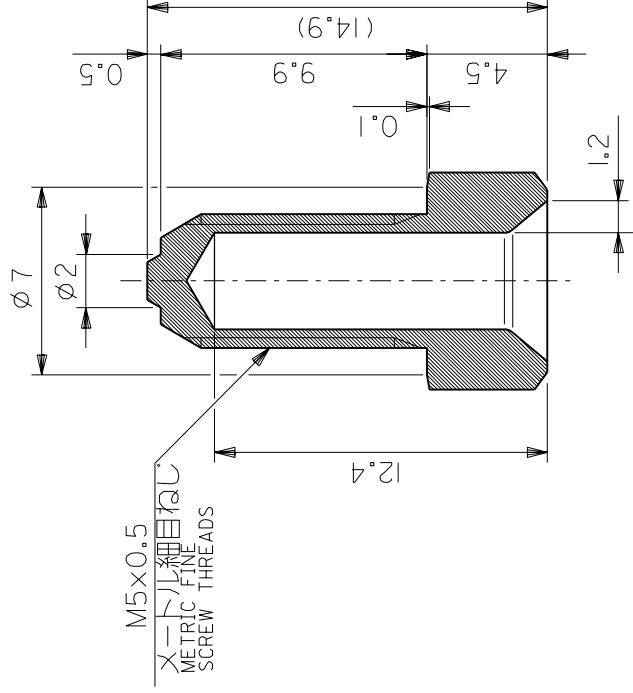
Tel: +86-755-8981 8866 Fax: +86-755-8427 6832

Email & Skype: info@chipsmall.com Web: www.chipsmall.com

Address: A1208, Overseas Decoration Building, #122 Zhenhua RD., Futian, Shenzhen, China

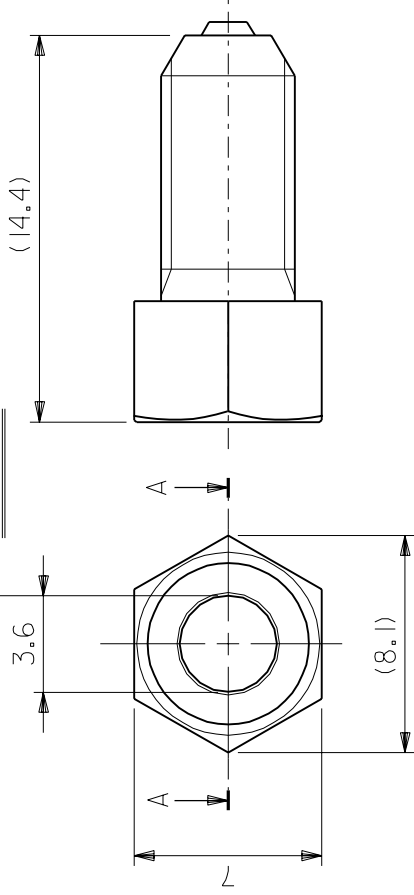


DWG. NO.
SD-58001-0000



M5x0.5
メトリック細目ねじ
METRIC FINE
SCREW THREADS

断面 A-A
SECTION A-A



角度	±3°
以上 30 OVER	±0.3
10 以上 30 未満	+0.25
10 未満	±0.2

一般公差

DIMENSIONS IN METRIC DO NOT SCALE DRAWING

注) NOTES

1. 材質 : 鋼材
MATERIAL : STEEL
2. ヌツキ仕様 : ニッケル 2.0µm MIN.
PLATING SPECIFICATION : NICKEL

材料 MATERIAL	注) 参照 SEE NOTES	MOLEX-JAPAN CO.,LTD. molex 日本モレックス株式会社	
仕上げ FINISH	注) 参照 SEE NOTES	REVISE ONLY ON CAD SYSTEM	
適用電線範囲 WIRE RANGE	— # —	TITLE 名称	
被覆外径 INS. RANGE	— # —	GUIDE BUSH (FOR RIGHT ANGLE I/O CONN.)	
DRAWN BY '95/6/28 A. Matsunaga	CHK'D BY H. Sakai	DWG. NO.	REV
APP'D BY S. Hasegawa	尺度 SCALE	SD-58001-0000	0
日付 DATE			
DR. CHK.			
新規作成 RELEASED (T50551)	M.S		
変更内訳 REVISION RECORD			

THIS DRAWING CONTAINS INFORMATION THAT IS PROPRIETARY TO MOLEX(JAPAN) AND SHOULD NOT BE USED WITHOUT WRITTEN PERMISSION

本図面は日本モレックス(株)の所有する情報を含むもので当社の許可なく複製を禁止する。

FN-01C(032)MX11-33

ZF3110,0323558001.DWG