



Chipsmall Limited consists of a professional team with an average of over 10 year of expertise in the distribution of electronic components. Based in Hongkong, we have already established firm and mutual-benefit business relationships with customers from,Europe,America and south Asia,supplying obsolete and hard-to-find components to meet their specific needs.

With the principle of “Quality Parts,Customers Priority,Honest Operation,and Considerate Service”,our business mainly focus on the distribution of electronic components. Line cards we deal with include Microchip,ALPS,ROHM,Xilinx,Pulse,ON,Everlight and Freescale. Main products comprise IC,Modules,Potentiometer,IC Socket,Relay,Connector.Our parts cover such applications as commercial,industrial, and automotives areas.

We are looking forward to setting up business relationship with you and hope to provide you with the best service and solution. Let us make a better world for our industry!



Contact us

Tel: +86-755-8981 8866 Fax: +86-755-8427 6832

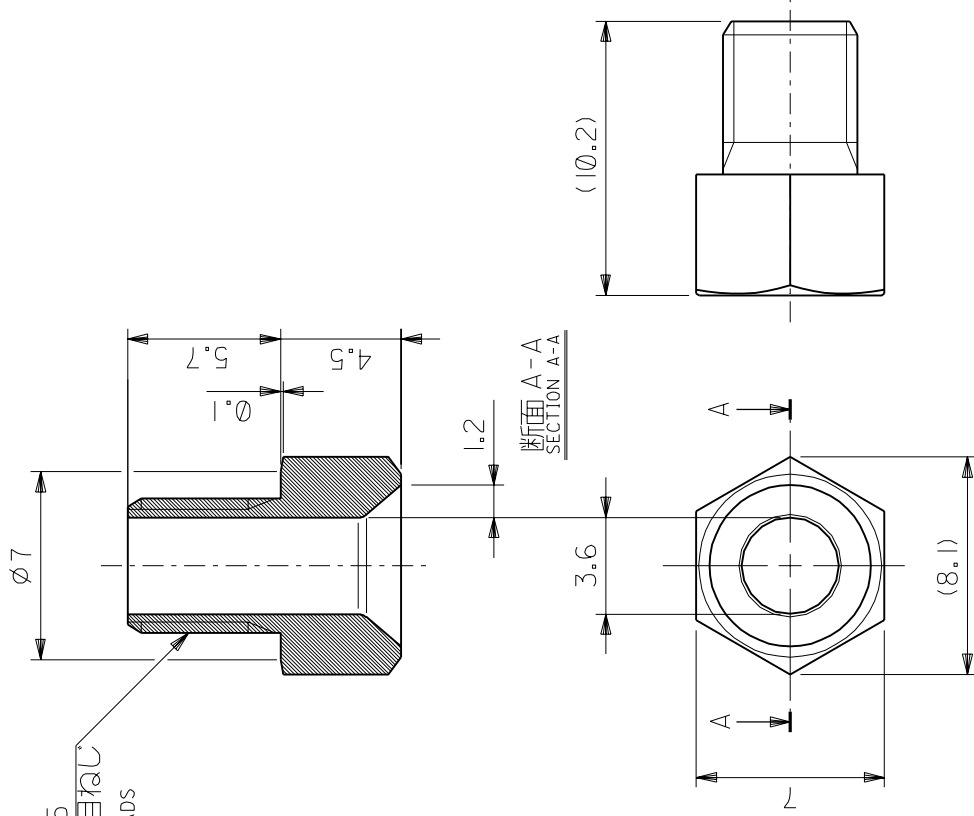
Email & Skype: info@chipsmall.com Web: www.chipsmall.com

Address: A1208, Overseas Decoration Building, #122 Zhenhua RD., Futian, Shenzhen, China



DWG. NO. SD-58002-0000

M5×0.5
メトリック細目ねじ
METRIC FINE
SCREW THREADS



注) NOTES

1. 材質 : 鋼材
MATERIAL : STEEL
2. ヌッキ仕様 : ニッケル 2.0 μ m MIN.
PLATING SPECIFICATION : NICKEL

角度	±3°
30 以上	±0.3
10 以上 30 未満	+0.25
10 未満	±0.2

一般公差

GENERAL TOLERANCES

材料	MATERIAL	注) * \diamond	SEE NOTES
仕上げ	FINISH	注) * \diamond	SEE NOTES
適用電線範囲	WIRE RANGE	— # —	
被覆外径	INS. RANGE	— # —	
新規作成	RELEASED	DATE	CHK'D BY
0	(150551)	95/6/28	H. Sakai
記号	変更内容	DATE	SCALE
LTR	REVISION RECORD	DR. CHK.	4-1

MOLEX-JAPAN CO.,LTD. 日本モレックス株式会社	
REVISION ONLY ON CAD SYSTEM	TITLE 名称
GUIDE BUSH (FOR STRAIGHT I/O CONN.)	
DWG. NO.	REV
SD-58002-0000	0

MM DIMENSIONS IN METRIC DO NOT SCALE DRAWING

THIS DRAWING CONTAINS INFORMATION THAT IS PROPRIETARY TO MOLEX/JAPAN AND SHOULD NOT BE USED WITHOUT WRITTEN PERMISSION

本図面は日本モレックス(株)の所有する情報を含むもので当社の許可なく複製を禁止する。

FN-01C(032)MX11-33

7F3110.0.32358002.DGN