



Chipsmall Limited consists of a professional team with an average of over 10 year of expertise in the distribution of electronic components. Based in Hongkong, we have already established firm and mutual-benefit business relationships with customers from,Europe,America and south Asia,supplying obsolete and hard-to-find components to meet their specific needs.

With the principle of “Quality Parts,Customers Priority,Honest Operation,and Considerate Service”,our business mainly focus on the distribution of electronic components. Line cards we deal with include Microchip,ALPS,ROHM,Xilinx,Pulse,ON,Everlight and Freescale. Main products comprise IC,Modules,Potentiometer,IC Socket,Relay,Connector.Our parts cover such applications as commercial,industrial, and automotives areas.

We are looking forward to setting up business relationship with you and hope to provide you with the best service and solution. Let us make a better world for our industry!



Contact us

Tel: +86-755-8981 8866 Fax: +86-755-8427 6832

Email & Skype: info@chipsmall.com Web: www.chipsmall.com

Address: A1208, Overseas Decoration Building, #122 Zhenhua RD., Futian, Shenzhen, China



DWG. NO.
SD-58099-001

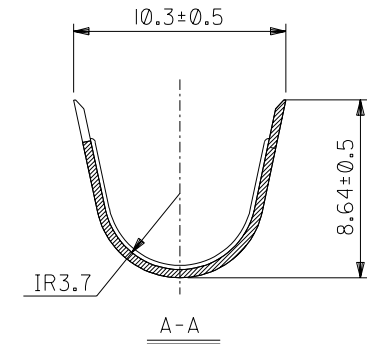
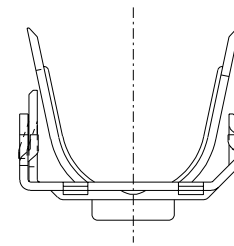
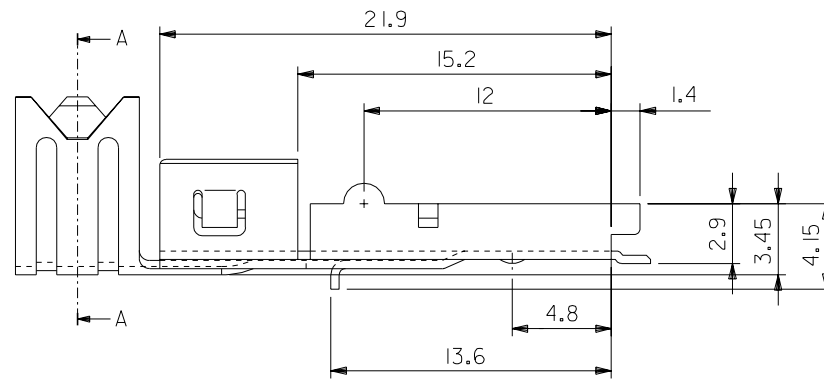
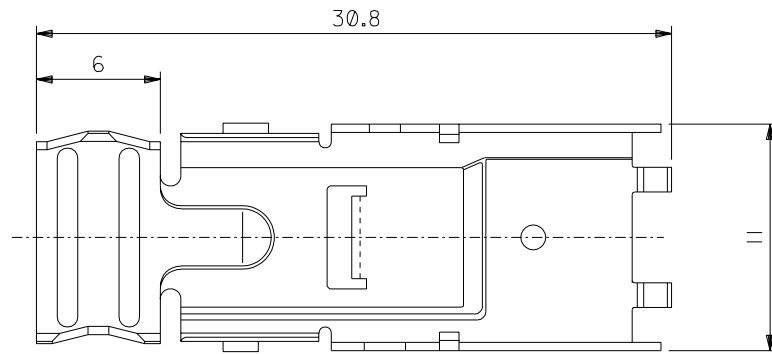
E

D

ALL DIMENSIONS IN METRIC DO NOT SCALE DRAWING

B

A



注)
NOTES

1. 材質 : 鋼 t0.4
MATERIAL : STEEL t0.4
2. メッキ仕様
PLATING
ニッケル下地、錫メッキ
NICKEL BASE , TIN PLATING
3. 適用圧着ハウジング : 51145-0601
APPLICABLE CRIMP HOUSING : 51145-0601
4. 適用ハウジング アッセンブリ : 52874-0611
APPLICABLE HOUSING ASS'Y : 52874-0611
5. シース外径 : $\phi 6.5 \pm 0.3$
SHEATH O.D : $\phi 6.5 \pm 0.3$
6. 適用圧着工具 (手動) : 57354-5000
APPLICABLE CRIMP TOOL (HAND) : 57354-5000
(プレス) : 57354-7000
(PRESS) : 57354-7000
7. 本製品は 58099-0600 の鉛フリー品である。
THIS PRODUCT IS LEAD FREE OF 58099-0600.

58099-0628		材料 MATERIAL		注参照 SEE NOTES		molex MOLEX-JAPAN CO.,LTD. 日本モレックス株式会社	
MATERIAL NO.		仕上げ FINISH		注参照 SEE NOTES		REVISE ONLY ON CAD SYSTEM	
角度 ANGLE $\pm 3^\circ$		適用電線範囲 WIRE RANGE		— # —		TITLE 名称 2.0 mm PITCH I/O CONN.	
30以上 OVER ± 0.3		被覆外径 INS. RANGE		注参照 SEE NOTES		SHELL BODY	
10以上 OVER 30未下 UNDER ± 0.25		DRAWN BY '04/04/14 T.UENO		CHK'D BY '04/04/14 M.SASAO		-LEAD FREE-	
10未下 UNDER ± 0.2		① 新規作成 RELEASED (J2004-379) T.U. M.S '04/04/14		APP'D BY '04/04/14 M.SASAO		DWG. NO. SD-58099-001	
一般公差 GENERAL TOLERANCES		記号 LTR 変更内容 REVISION RECORD		DR. CHK. 日付 DATE		REV ①	

8

7

6

5

4

3

2

1

SD-58099-001.S01