



Chipsmall Limited consists of a professional team with an average of over 10 year of expertise in the distribution of electronic components. Based in Hongkong, we have already established firm and mutual-benefit business relationships with customers from,Europe,America and south Asia,supplying obsolete and hard-to-find components to meet their specific needs.

With the principle of "Quality Parts,Customers Priority,Honest Operation,and Considerate Service",our business mainly focus on the distribution of electronic components. Line cards we deal with include Microchip,ALPS,ROHM,Xilinx,Pulse,ON,Everlight and Freescale. Main products comprise IC,Modules,Potentiometer,IC Socket,Relay,Connector.Our parts cover such applications as commercial,industrial, and automotives areas.

We are looking forward to setting up business relationship with you and hope to provide you with the best service and solution. Let us make a better world for our industry!



Contact us

Tel: +86-755-8981 8866 Fax: +86-755-8427 6832

Email & Skype: info@chipsmall.com Web: www.chipsmall.com

Address: A1208, Overseas Decoration Building, #122 Zhenhua RD., Futian, Shenzhen, China



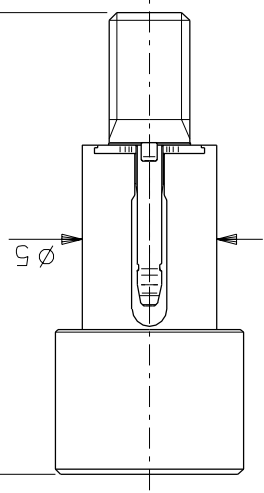
DWG. NO. SD-58245-0000

$\frac{5}{64}$ INCH 六角穴
INCH HEXAGON HOLE

(3.57)

$\phi 7$

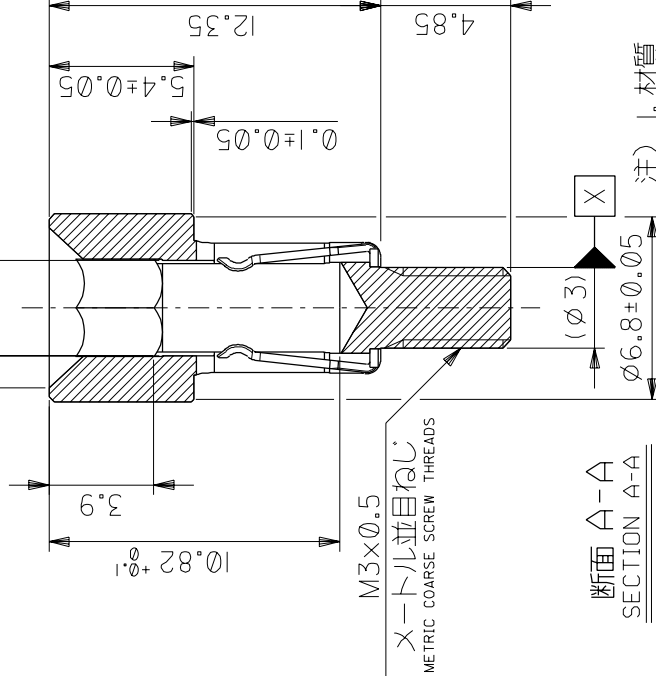
(17.2)



1.2 ± 0.05

$\phi 3.55 \pm 0.03$

$\phi 0.04$ X



M3x0.5

メートル並目ねじ
METRIC COARSE SCREW THREADS

断面 A-A
SECTION A-A

角度	$\pm 3^\circ$
以上 30 OVER	± 0.3
10 以上 30 未満 OVER UNDER	± 0.25
10 未満 UNDER	± 0.2
一般公差	

GENERAL TOLERANCES

注) 1. 材質
NOTES MATERIAL

本体 : 亜鉛合金ダイカスト
BODY : ZINC ALLOYS CASTINGS
ターミナル : ステンレス
TERMINAL : STAINLESS

2. ヌツキ仕様
PLATING

本体 : ニッケルメッキ 2.0 μ m MIN.
BODY : NICKEL

DIMENSIONS IN METRIC DO NOT SCALE DRAWING

材料 MATERIAL	注) 参照 SEE NOTES	MOLEX-JAPAN CO.,LTD. moLEX 日本モレックス株式会社
仕上げ FINISH	注) 参照 SEE NOTES	REVISE ONLY ON CAD SYSTEM
適用電線範囲 WIRE RANGE	—	TITLE 名称
被覆外径 INS. RANGE	—	GUIDE BUSH (FOR RIGHT ANGLE $\phi 0.8$ mm I/O DOCKING CONN.)
DRAWN BY '97/08/07 K.K	CHK'D BY Y.Lte	DWG. NO.
APP'D BY T. Nakamura	尺度 SCALE	SD-58245-0000
DATE DATE	4-1	REV
DR. CHK.		ϕ
新規作成 RELEASED (JDB0149)		
変更内容 REVISION RECORD		

THIS DRAWING CONTAINS INFORMATION THAT IS PROPRIETARY TO MOLEX(JAPAN) AND SHOULD NOT BE USED WITHOUT WRITTEN PERMISSION
本図面は日本モレックス(株)の所有する情報を含むもので 当社の許可なく複製を禁止する。

558245.DWG

FN-01C(032)MX.1-33