



Chipsmall Limited consists of a professional team with an average of over 10 year of expertise in the distribution of electronic components. Based in Hongkong, we have already established firm and mutual-benefit business relationships with customers from,Europe,America and south Asia,supplying obsolete and hard-to-find components to meet their specific needs.

With the principle of “Quality Parts,Customers Priority,Honest Operation,and Considerate Service”,our business mainly focus on the distribution of electronic components. Line cards we deal with include Microchip,ALPS,ROHM,Xilinx,Pulse,ON,Everlight and Freescale. Main products comprise IC,Modules,Potentiometer,IC Socket,Relay,Connector.Our parts cover such applications as commercial,industrial, and automotives areas.

We are looking forward to setting up business relationship with you and hope to provide you with the best service and solution. Let us make a better world for our industry!



Contact us

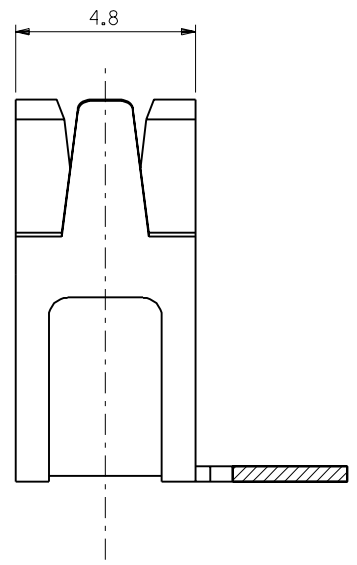
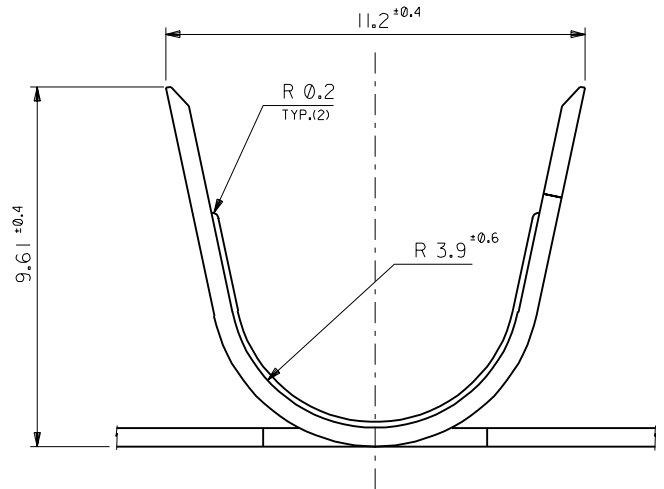
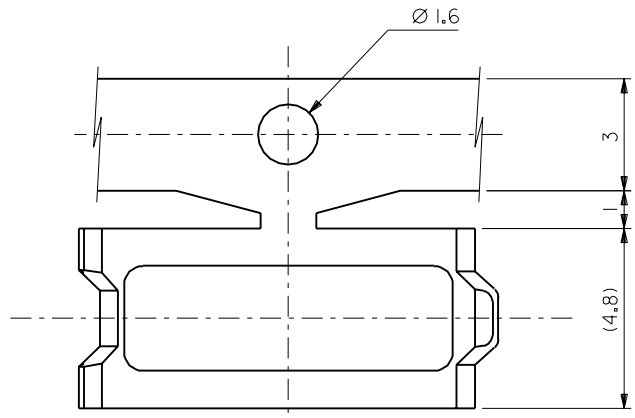
Tel: +86-755-8981 8866 Fax: +86-755-8427 6832

Email & Skype: info@chipsmall.com Web: www.chipsmall.com

Address: A1208, Overseas Decoration Building, #122 Zhenhua RD., Futian, Shenzhen, China



DWG. NO.
SD-58310-9*05



58310-9105	バラ状 LOOSE
58310-9005	連鎖状 CHAIN
ENG.NO.	端子形状 FORM

角度 ANGLE	±3°							材料 MATERIAL	黄銅。錫メッキ (t=0.5)
30以上 OVER	+0.3							BRASS	
10以上 30未満 UNDER	+0.25							TIN PLATING	
10未満 UNDER	+0.2							仕上げ FINISH	—
一般公差 GENERAL TOLERANCES								適用電線範囲 WIRE RANGE	—
								被覆外径 INS. RANGE	—
								DRAWN BY	97/5/20
								CHK'D BY	97/5/20
								APP'D BY	97/5/20
								DR. / CHK.	DATE
								MENOMOTO	SCALE 4-1

	MOLEX-JAPAN CO.,LTD. 日本モレックス株式会社
REVISE ONLY ON CAD SYSTEM	
TITLE 名称	
2.0 I/O CONN. HOLD FAST TERMINAL	
DWG. NO.	REV
SD-58310-9*05	0