



Chipsmall Limited consists of a professional team with an average of over 10 year of expertise in the distribution of electronic components. Based in Hongkong, we have already established firm and mutual-benefit business relationships with customers from,Europe,America and south Asia,supplying obsolete and hard-to-find components to meet their specific needs.

With the principle of “Quality Parts,Customers Priority,Honest Operation,and Considerate Service”,our business mainly focus on the distribution of electronic components. Line cards we deal with include Microchip,ALPS,ROHM,Xilinx,Pulse,ON,Everlight and Freescale. Main products comprise IC,Modules,Potentiometer,IC Socket,Relay,Connector.Our parts cover such applications as commercial,industrial, and automotives areas.

We are looking forward to setting up business relationship with you and hope to provide you with the best service and solution. Let us make a better world for our industry!



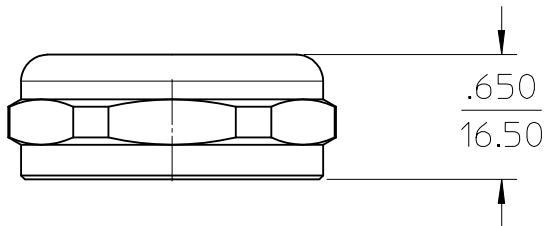
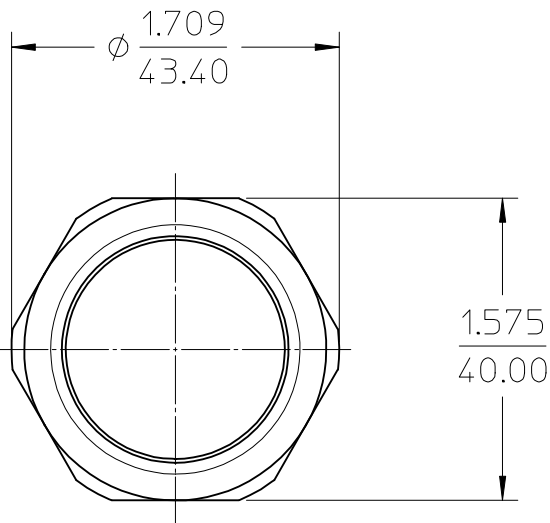
Contact us

Tel: +86-755-8981 8866 Fax: +86-755-8427 6832

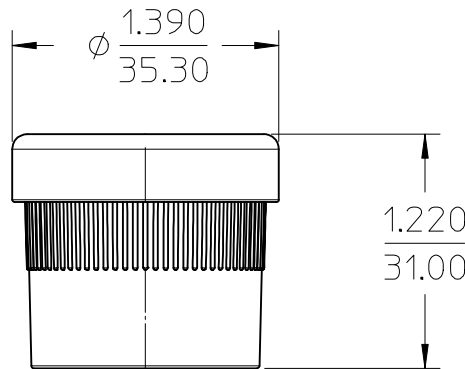
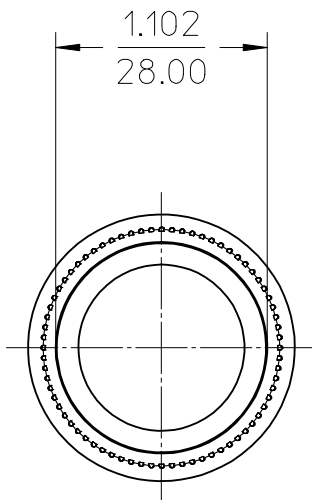
Email & Skype: info@chipsmall.com Web: www.chipsmall.com

Address: A1208, Overseas Decoration Building, #122 Zhenhua RD., Futian, Shenzhen, China





END BELL CAP



END BELL BUSH

| NO. | PARTS NAME | QUAN. | MATERIAL |
|-----|------------|-------|-------------------|
| ① | CABLE CAP | 1 | BRASS, Ni PLATING |
| ② | BUSH | 1 | PVC |

| | | | |
|------------|-----------|----|-------------|
| YELLOW | φ24~φ28 | 28 | 58550-0003 |
| ORANGE | φ20~φ25 | 25 | 58550-0002 |
| BROWN | φ17~φ21 | 21 | 58550-0001 |
| BLUE | φ14~φ18 | 18 | 58550-0000 |
| BUSH COLOR | WIRE SIZE | A | ENG. NUMBER |

| | |
|------------------|--------|
| ANGLE | ±3° |
| 30 OVER | ±0.3° |
| 10 OVER 30 UNDER | ±0.25° |
| 10 UNDER | ±0.2° |

| | |
|----------------|---------------------|
| REDRAWN | EC NO: IPG2013-0061 |
| DRWN:CD | CH'KD: |
| APPR: BWOODMAN | DATE: 2013/05/22 |
| 1 | REV |

| QUALITY SYMBOLS | DESCRIPTION |
|-----------------|-------------|
| | 13 |
| | 0 |
| | 0.13 |
| | 0.13 |

| | GENERAL TOLERANCES (UNLESS SPECIFIED) | |
|--|---------------------------------------|-------|
| | mm | INCH |
| 4 PLACES | ± --- | ± --- |
| 3 PLACES | ± --- | ± --- |
| 2 PLACES | ± 0.05 | ± --- |
| 1 PLACE | ± 0.10 | ± --- |
| 0 PLACE | ± --- | ± --- |
| ANGULAR ± .5 ° | | |
| DRAFT WHERE APPLICABLE MUST REMAIN WITHIN DIMENSIONS | | |

| DIMENSION STYLE | |
|-----------------|------------|
| MM ONLY | |
| DRAWN BY | DATE |
| CD | 2012/07/13 |
| CHECKED BY | DATE |
| APPROVED BY | DATE |
| BWOODMAN | 2013/05/22 |
| MATERIAL NO. | |
| SEE TABLE | |
| SIZE | A |

| SCALE | DESIGN UNITS | THIRD ANGLE PROJECTION | |
|---|--------------|------------------------|-----------|
| 1:1 | METRIC | | |
| TITLE | | | |
| ROBOT CONNECTOR END BELL CAP SET | | | |
| DOCUMENT NO. | | | SHEET NO. |
| SD-58550-**** | | | 1 OF 1 |
| THIS DRAWING CONTAINS INFORMATION THAT IS PROPRIETARY TO MOLEX INCORPORATED AND SHOULD NOT BE USED WITHOUT WRITTEN PERMISSION | | | |