



Chipsmall Limited consists of a professional team with an average of over 10 year of expertise in the distribution of electronic components. Based in Hongkong, we have already established firm and mutual-benefit business relationships with customers from,Europe,America and south Asia,supplying obsolete and hard-to-find components to meet their specific needs.

With the principle of “Quality Parts,Customers Priority,Honest Operation,and Considerate Service”,our business mainly focus on the distribution of electronic components. Line cards we deal with include Microchip,ALPS,ROHM,Xilinx,Pulse,ON,Everlight and Freescale. Main products comprise IC,Modules,Potentiometer,IC Socket,Relay,Connector.Our parts cover such applications as commercial,industrial, and automotives areas.

We are looking forward to setting up business relationship with you and hope to provide you with the best service and solution. Let us make a better world for our industry!



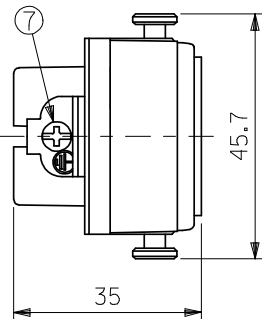
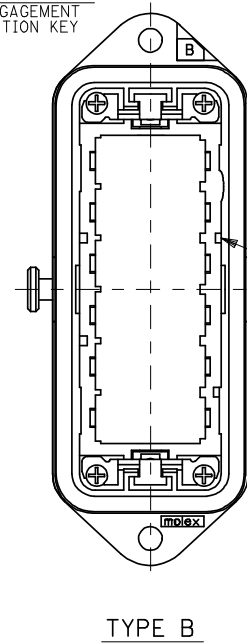
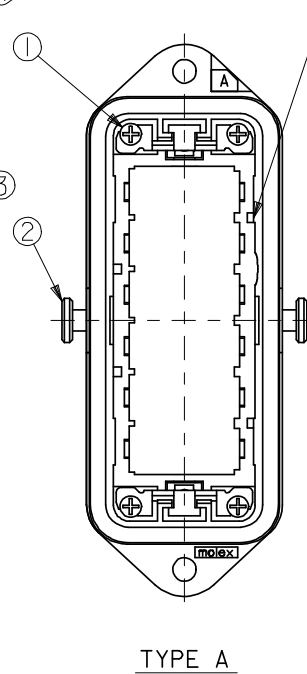
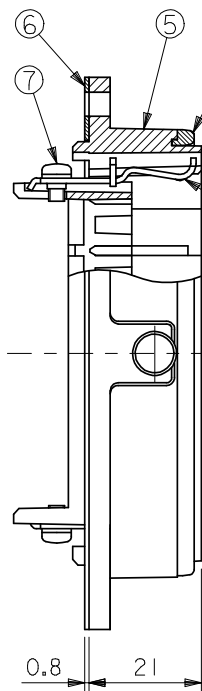
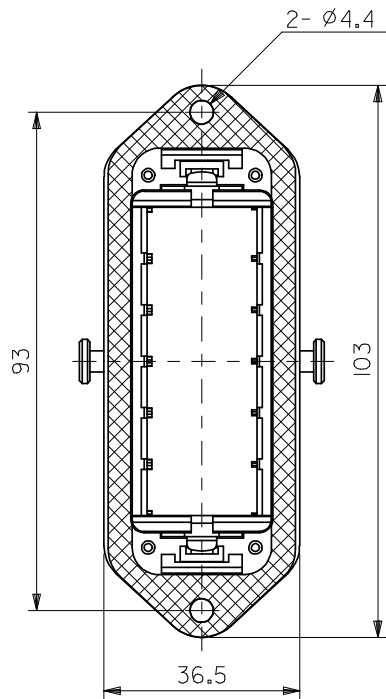
Contact us

Tel: +86-755-8981 8866 Fax: +86-755-8427 6832

Email & Skype: info@chipsmall.com Web: www.chipsmall.com

Address: A1208, Overseas Decoration Building, #122 Zhenhua RD., Futian, Shenzhen, China





部番 NO.	部品名 PART NAME	数量 QTY.	材質 MATERIAL	記事 ARTICLE
①	M2.5×6 パネ座金付ねじ M2.5X6 SCREW	4	鋼 STEEL	Niメッキ NI PLATING
②	ロックピン LOCKING PIN	2	ステンレス STAINLESS STEEL	—
③	グラウンドターミナル GROUND TERMINAL	2	黄銅 BRASS	Niメッキ NI PLATING
④	ラバー RUBBER	1	ニトリルゴム NBR	—
⑤	リセプタクルシェル RECEPTACLE SHELL	1	アルミニウム合金 ALUMINIUM ALLOY	—
⑥	ガスケット GASKET	1	ニトリルゴム NBR	—
⑦	M3×5 パネ座金付ねじ M3X5 SCREW	2	鋼 STEEL	Niメッキ NI PLATING

注記:
NOTES

1. 適用ハウジング及び適用端子
APPLICABLE HOUSING AND TERMINAL

	適用ハウジング APPLICABLE HOUSING	適用端子 APPLICABLE TERMINAL
ピン ハウジング PIN HOUSING	51192-0600	5558GS** (Au PLATING)
ソケット ハウジング SOCKET HOUSING	51193-0600	5556GS** (Au PLATING)
プラグ ハウジング PLUG HOUSING	503193-0600	503195-****
リセプタクル ハウジング RECEPTACLE HOUSING	503194-0600	503196-****

2. M3ねじ推奨締め付けトルク: 5~6kgf・cm
M3 SCREW RECOMMENDATION TIGHTENING TORQUE: 5~6kgf・cm

3. パネル切り取り寸法はDWG. No. SD-58696-003による。
THE PANEL CUTOUT SIZE IS SHOWN IN SD-58696-003.

B	58691-0020	58691-***0
A	58691-0010	
TYPE	オーダー番号 ORDER No.	MODEL No.

REVISED EC NO: J2008-3396 DRWN: SAKIYAMA 2008/03/25 CHKD: SSAT003 2008/03/26 APPR: SICHIKAWA 2008/03/26	GENERAL TOLERANCES (UNLESS SPECIFIED)	DIMENSION STYLE MM ONLY	SCALE 1:1	DESIGN UNITS METRIC	THIRD ANGLE PROJECTION
	10 UNDER ±0.2	DRAWN BY M. HOSONO	DATE '98/04/15	POWER CONN. 36P RECEPTACLE SHELL ASS'Y	
	10 OVER 30 UNDER ±0.25	CHECKED BY YO. ITO	DATE '98/04/15		
	30 OVER ±0.3	APPROVED BY H. IKESUGI	DATE '98/04/15	MOLEX INCORPORATED	
	ANGULAR ±3 °	MATERIAL NO.	DOCUMENT NO.		
DRAFT WHERE APPLICABLE MUST REMAIN WITHIN DIMENSIONS	SEE CHART	SD-58691-002	SHEET NO. 1 OF 1		
D	THIS DRAWING CONTAINS INFORMATION THAT IS PROPRIETARY TO MOLEX INCORPORATED AND SHOULD NOT BE USED WITHOUT WRITTEN PERMISSION				